



# “O-RING SEAL” TUBE FITTINGS & ADAPTERS

CATALOG NO. 127R-A

**“O-RING SEAL”**

**THE ONLY FITTING THAT “THINKS FOR ITSELF”**

**J.I.C. APPROVED  
TAPERED OR S.A.E.  
STRAIGHT THREAD**

**SPLIT RING  
COLLET GRIP**

**NOT AFFECTED  
BY VIBRATION**

**A HACKSAW & FILE  
ONLY TOOLS NEEDED**

**NO EXACT TUBE  
LENGTH NECESSARY**

**PRESSURE IS THE  
SEALING FORCE**

**LENZ**

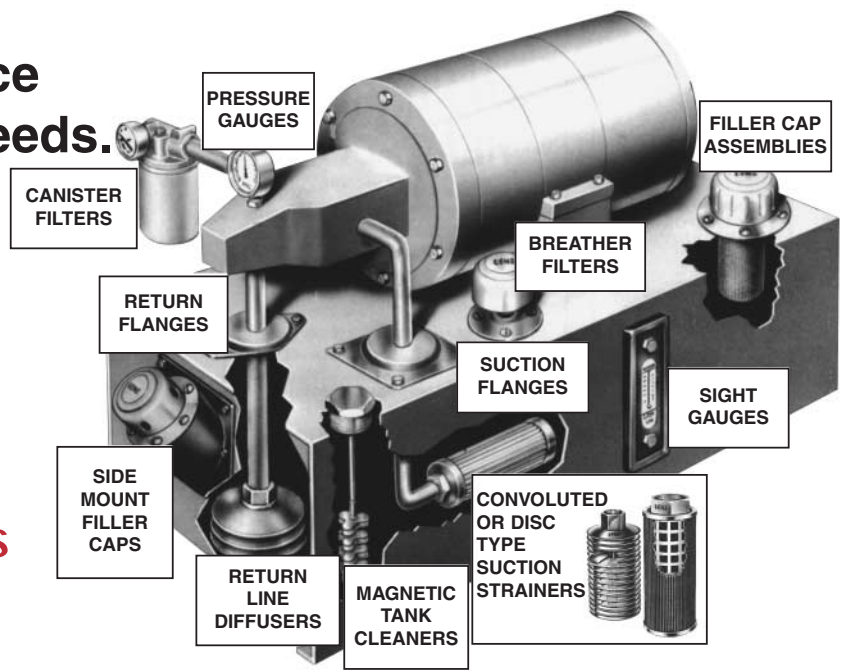
**Plus A Complete Line of J.I.C.  
37° FLARE FITTINGS  
ADAPTERS  
PIPE FITTINGS  
ACCESSORIES**

**“Another quality product, Only from Lenz”**

**LENZ** is your one source for all your hydraulic needs.



**Complete selection of Hydraulic Tank Accessories for Fluid Power Control**



**GIANT SIZE FILLER CAPS**

**Super 57-XL Series**  
New, heavy-duty air-intake gives 5 times greater filtered air flow of 200 GPM. Filters (40, 15 & 10 Mic.), breathes, strains & protects! 3" diameter. Cap is fluted for easy gripping. Weather-proof design. As shown, in kits with template & instructions. Easily installed. Cap extends only 2 1/4" above the tank.  
*Request Catalog TA-81*

**STANDARD FILLER CAPS**

**FCS Series**  
Standard for all average uses. Oversize filter permits 40 GPM. In regular, weather proof or non-vented 2 3/16" diameter caps. With or without chain. Filters (40 Microns), breathes, strains & protects. As shown, in kits with template & full instructions. Easily installed. Lengths, mesh, & materials can be varied.  
*Request Catalog TA-81*

**SUPER FILLER CAP**

**Model FCS-1303**  
Fast fill! Large opening is designed to speed up filling of reservoir to minimize chance of dirt entry. Easy to fit...easy to clean...large strainer takes cold oil fast. Non-vented type cap. Available in 70 and 24 mesh sizes.  
*Request Catalog TA-81*

**TANK BREATHER FILTERS**

**BF Series In 5 Sizes**  
Act as ventilators. Filter as fine as 10 Microns OPT and 40 Microns STD provide a standard flow of clean fresh air. All metal except foam filter element, easily cleaned. Corrosion resistant 1/4" NPT thru 1" NPT sizes handle air flows to 75 GPM.  
*Request Catalog TA-81*

**2 1/2" & 4" GLYCERIN-FILLED PRESSURE GAUGES**

**BAC Series Precision Built For Long-Life & Superior Performance**  
Dampens pulsation & vibrations. Eliminates pointer flutter & insures accuracy. Completely sealed, corrosion resistant brass case...all brass movement.  
2 1/2" from 30" vacuum; 15 to 10,000 PSI. 4" from 160 to 15,000 PSI. English-metric dials. Bottom and rear mounts.  
*Request Catalog PG-111*

**2 1/2" STANDARD PRESSURE GAUGES**

**LZ Series For All Types of Hydraulic & Pneumatic Applications**  
Full selection of ranges to 6000 PSI. Bronze Bushed completely sealed all brass movement. Black steel cases. Designed to assure complete satisfaction and outstanding performance. Bottom, rear center and clamp mounts. English-Metric Dials.  
*Request Catalog PG-111*

**2 1/2" & 4" GLYCERIN-FILLED STAINLESS STEEL PRESSURE GAUGES**

**New! Model SS Stainless Throughout**  
Both sizes from 30 to 15,000 PSI. 1/4" male NPT 316SS Bourdon tube and socket. Designed for complete satisfaction where SS is required. Bottom and rear center mounts. Safety blowout plug included. English-Metric Dials.  
*Request Catalog PG-111*

**DELUXE SEALED-BACK FLUID LEVEL SIGHT GAUGE**

Three sizes, 3 1/4", 5" and 7" center to center. (L). Black finish, heavy aluminum alloy body frames. 3", 5" and 7" sizes also available with F° or C° thermometer. Supplied with bolts, gaskets, template & instructions. Models in all sizes also available for phosphate ester (fire-proof) hydraulic fluids.  
*Request Catalog TA-81*

**SUCTION & RETURN FLANGES**

**SF & RF Series**  
Provides absolute leakproof seals to pipes passing thru tank tops. Keeps fluid in-dirt out, also serve as inspection ports. No welding or unions! Supplied with bolts, washers, templates & instructions. SF & SFO Models permit removal of suction filters.  
*Request Catalog TA-81*

**MAGNETIC TANK CLEANERS**

**1000, 2000, 3000, & 4000 Series**  
Magnetic Cleaners - 2 Types: Multi-Magnet with 3 to 24 Alnico magnets; Slim-Line with magnets encased in tube. Holds ferrous materials as fine as 1 grain. Bearing, gear and pump life increased over 100%! Standard 5" rod length can be varied to fit tank depth.  
*Request Catalog TA-81*

**SIDE MOUNT FILLER CAPS**

**SM Series For End or Side Filling Tank Needs**  
Makes tank customizing easier. Heavy duty, 1-piece, Zinc plated, steel housing. Has same specifications as Standard FCS Series. In regular, weatherproof, or non-vented 2 3/16" caps or 3" diameter. Giant cap. Complete with nuts, bolts, seals, gaskets, template and instructions.  
*Request Catalog TA-81*

**HEAVY DUTY LINE FILTERS**

**Model DH-R For Suction or Return Line Application**  
Up to 300 PSI and temperatures from -60° to 250° F. Available with 10 or 30 micron disposable cartridges or cleanable stainless steel cloth. Easily accessible for quick removal. Relief valve appropriately rated for suction or return line application.  
*Request Catalog SF-11A*

**CANISTER FILTERS**

**CP Series - Disposable Types**  
Designed for fluid power units where return line pressures do not exceed 100 PSI. Offers exceptional protection to entire hydraulic system. Filter element is sealed in sturdy, disposable canister. Relief valve rated at 5 PSI for suction line applications - 15 PSI & 25 PSI for return line use. 10 or 30 micron filter. Indicating gauge optional.  
*Request Catalog SF-11A*

**STACKING DISC SUMP STRAINERS**

**Standard - Magnetic**  
All-metal disc-type for petroleum base and fire-resistant hydraulic oils, waters and fluids. Works efficiently vertically or horizontally. Easy and complete cleaning. Magnetic model adds magnetic separation to efficient straining action of the stacking discs. 100, 60, or 30 mesh wire screen available.  
*Request Catalog SF-11A*

**RETURN LINE DIFFUSER**

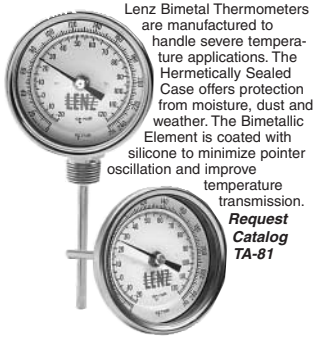
**Model R Disc-Type**  
Slows down and spreads oil returning from the hydraulic system to mix with remaining cool oil in the sump. 8 or 30 mesh wire cloth available from 3 3/4" to 6" diameter; 1 1/8" to 3" height.  
*Request Catalog SF-11A*

**SUMP-FILTER STRAINERS**

**49 Series & N-49 (Nylon Series)**  
Single, suction-type unit. Low cost, one-piece construction. Plated ends. Cylinder to prevent collapsing. Pleated, reusable Stainless wire cloth. Gives trouble-free positive protection. Easily cleaned. Relief valve in bottom optional. Assembled & boxed with full instructions. Easily installed.  
*Request Catalog SF-11A*

*This information is believed to be reliable, but no representation, guarantees or warranties of any kind are made to its accuracy or suitability for any purpose. The information presented is based on laboratory testing and does not necessarily indicate end product performance. It is recommended that users of LENZ products conduct their own evaluations to determine suitability for the intended applications.*

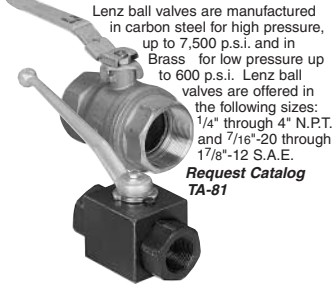
**BI-METAL THERMOMETERS**



Lenz Bi-Metal Thermometers are manufactured to handle severe temperature applications. The Hermetically Sealed Case offers protection from moisture, dust and weather. The Bimetallic Element is coated with silicone to minimize pointer oscillation and improve temperature transmission.

**Request Catalog TA-81**

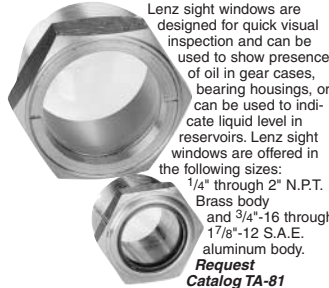
**HIGH & LOW PRESSURE BALL VALVES**



Lenz ball valves are manufactured in carbon steel for high pressure, up to 7,500 p.s.i. and in Brass for low pressure up to 600 p.s.i. Lenz ball valves are offered in the following sizes: 1/4" through 4" N.P.T. and 7/16"-20 through 1 7/8"-12 S.A.E.

**Request Catalog TA-81**

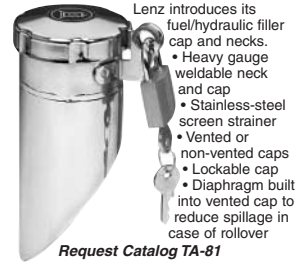
**SIGHT WINDOWS**



Lenz sight windows are designed for quick visual inspection and can be used to show presence of oil in gear cases, bearing housings, or can be used to indicate liquid level in reservoirs. Lenz sight windows are offered in the following sizes: 1/4" through 2" N.P.T.

Brass body and 3/4"-16 through 1 7/8"-12 S.A.E. aluminum body.  
**Request Catalog TA-81**

**FILLER CAP AND NECKS**



Lenz introduces its fuel/hydraulic filler cap and necks.

- Heavy gauge weldable neck and cap
- Stainless-steel screen strainer
- Vented or non-vented caps
- Lockable cap
- Diaphragm built into vented cap to reduce spillage in case of rollover

**Request Catalog TA-81**

**MODEL "LIT" SERIES IN-TANK FILTERS**

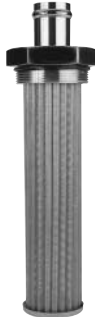
**DISPOSABLE FILTER CARTRIDGE TYPE**



The "LIT" in-tank series filter is ideally suited for power units. Mobile equipment and machine tools where space is at a premium. Research and experimentation on filter elements and mechanical components have resulted in reduced load losses, high filtration efficiency

and excellent performance in concentrating contaminants.  
**Request Catalog SF-11A**

**TANK MOUNTED STRAINERS LITMA SERIES**



Designed for ease of servicing.

**Specifications:**

- S.A.E. 2 1/2"-12 to 1 1/4" hose barbed tube
- Machined bushing
- Perforated steel support tubes
- 100 mesh stainless steel pleated elements

**Options:**

- No by-pass or 5 P.S.I. by-pass
- Custom screens available on request

**Request Catalog SF-11A**

**2 1/2" GLYCERIN-FILLED DUAL SCALE STAINLESS CASE BRASS MOVEMENT PRESSURE GAUGES (ENGLISH-METRIC)**



Model No. AFC-25 (Stainless Case, Brass Connection) 30 HG to 15,000 P.S.I.  
**Accuracy:** Within 2.0% of Maximum Graduation  
**Case:** Stainless Steel  
**Bourdon Tube:** Phosphor Bronze  
**Movement:** Brass with Highly Finished Bearing Surfaces  
**Connection:** 1/4" Male NPT Brass Bottom or Rear Center Connection Safety Blow-Out Plug Included Restrictors Standard.  
**Request Catalog PG-111**

**RETURN LINE DIFFUSERS LDFD SERIES**



Designed for ease of servicing.

**Specifications:**

- Zinc-plated steel
- Mounting: Can be vertical or horizontal with discharge side directed away from suction and preferably toward a tank wall or bottom.

**Request Catalog SF-11A**

**ADAPTERS**



Lenz Manufactures a complete line of Hydraulic Adapters and Hose Fittings that meet or exceed J.I.C./S.A.E. standards and are interchangeable with other standard hose adapters.  
**Request Catalog AD-90**

**3" HIGH NECK FLANGE**



The 3" high neck flange is suited to help prevent tank top dirt from plugging up the air filter and ideal for mobile applications, virtually eliminating spillage.

This high neck flange puts the air filter 3" above the tank top.  
**Request Catalog TA-81**

**TANK MOUNTED STRAINERS LTM SERIES**



Designed for ease of servicing. Access to tank interior is not necessary

**Specifications:**

- Cast iron bushings
- Perforated steel support tubes
- 100 mesh stainless steel pleated elements

**Options:**

- No by-pass or 5 P.S.I. by-pass
- Custom screens available on request

**Request Catalog SF-11A**

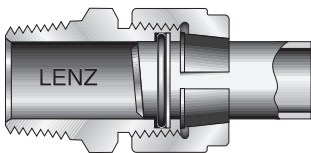
**HOSE FITTINGS**



Lenz Manufactures a complete line of 100R5 hose fittings; 2-wire braid hose fittings for high pressure, along with several other special-industry hose fittings, making Lenz a full line hose & fitting manufacturer. Lenz fittings meet or exceed J.I.C./S.A.E. standards, and are interchangeable with other standard hose fittings.  
**Request Catalog HP-401**

**TUBE FITTINGS**

The exclusive Lenz "O-Ring" Seal tube fitting is the most easily installed, labor saving, perfect sealing fitting available. For complete information on this fitting,  
**Request Catalog 127R-A**



**"TC SERIES" TANK COVERS**

The tank covers include seven models, ranging from a 6" to an 18" diameter. The TC Series tank covers are designed for ease of servicing hydraulic reservoirs through sidewall or through tank top.  
**Request Catalog TA-81**



**"LC-57XL-40" LOCKABLE FILLER BREATHER CAP**



Lenz has introduced a new series of lockable filler breather caps.

"LC-57XL-40". The lockable filler breather cap helps prevent hydraulic systems from being tampered with by welded lugs to allow use of a padlock.  
**Request Catalog TA-81**

**CHEMICAL SEALS**












































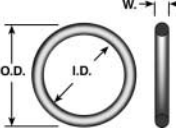
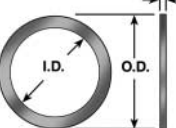
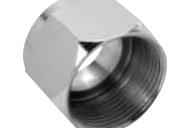



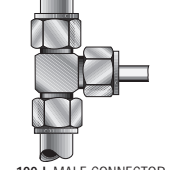






Chemical seals also referred to as diaphragm seals, are used to isolate pressure gauges from clogging and/or corrosive media. The seal is also filled with silicone fluid. Any pressure applied by the process medium to the seal diaphragm is hydraulically transmitted to the pressure element of the gauge, thus generating a pressure reading on the pressure gauge.  
**Request Catalog PG-111**





# VISUAL






















































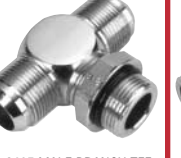


I N D E X

						
100 MALE CONNECTOR PAGE 1	100-L MALE CONNECTOR PAGE 1	100-LL MALE CONNECTOR PAGE 1	250 FEMALE CONNECTOR PAGE 2	300 UNION PAGE 2	350 MALE 45° ELBOW PAGE 2	400 MALE ELBOW PAGE 3
						
400-L MALE ELBOW PAGE 3	400-LL MALE ELBOW PAGE 3	400-LLL MALE ELBOW PAGE 4	450 FEMALE ELBOW PAGE 4	500 ELBOW UNION PAGE 4	600 MALE BRANCH TEE PAGE 5	650 FEMALE BRANCH TEE PAGE 5
						
700 TEE UNION PAGE 5	750 MALE RUN TEE PAGE 6	800 FEMALE RUN TEE PAGE 6	810 MALE CROSS PAGE 6	820 FEMALE CROSS PAGE 7	850 TUBE CROSS PAGE 7	860 TEE PAGE 7
						
900 BULKHEAD UNION PAGE 7	940 BULKHEAD 45° UNION ELBOW PAGE 8	950 BULKHEAD UNION ELBOW PAGE 8	960 BULKHEAD TEE PAGE 8	980 FEMALE BULKHEAD PAGE 8	760 CROSS PAGE 9	770 CROSS PAGE 9
						
780 CROSS PAGE 9	790 CROSS PAGE 9	870 TEE PAGE 9	880 TEE PAGE 9	890 TEE PAGE 9	910 TEE PAGE 9	920 TEE PAGE 9
						
930 TEE PAGE 9	990 MALE BULKHEAD PAGE 9	A-100 MALE CONNECTOR PAGE 10	A-100-L MALE CONNECTOR PAGE 10	A-350 MALE 45° ELBOW PAGE 10	A-400 MALE ELBOW PAGE 11	A-600 MALE BRANCH TEE PAGE 11
						
A-750 MALE RUN TEE PAGE 11	A-185 & A-185-L "O-RINGS" PAGE 12	175 BACK-UP WASHERS PAGE 12	205 TUBE NUT PAGE 13	165 TUBE SLEEVE PAGE 13	208 BULKHEAD NUT PAGE 13	100C TUBE CAP PAGE 13
						
100-L MALE CONNECTOR PAGE 14	205P PLUG PAGE 14	TPN TUBE PIPE NIPPLE PAGE 15	TAN TUBE *A* NIPPLES PAGE 15	TFN* TUBE-FLARE NIPPLES PAGE 16	100-F STRAIGHT ADAPTER PAGE 16	OFTN TUBE O-RING FACE NIPPLES PAGE 16

# VISUAL

I N D E X

VISUAL INDEX

 100-OF STRAIGHT ADAPTERS PAGE 16	 3105 MALE CONNECTOR PAGE 17	 3105-L LONG MALE CONNECTOR PAGE 17	 3105-LL EXTRA LONG MALE CONNECTOR PAGE 17	 3255 FEMALE CONNECTOR PAGE 18	 3305-LH LARGE HEX UNION PAGE 18	 3305 UNION PAGE 18
 3355 MALE 45° ELBOW PAGE 19	 3405 MALE ELBOW PAGE 19	 3405-L LONG MALE ELBOW PAGE 20	 3405-LL EXT. LONG MALE ELBOW PAGE 20	 3405-LLL EXT. LONG-LONG MALE ELBOW PAGE 20	 3455 FEMALE ELBOW PAGE 21	 3505 ELBOW UNION PAGE 21
 3605 MALE BRANCH TEE PAGE 21	 3655 FEMALE BRANCH TEE PAGE 22	 3705 TEE UNION PAGE 22	 3755 MALE RUN TEE PAGE 22	 3805 FEMALE RUN TEE PAGE 23	 3855 TUBE CROSS PAGE 23	 3905 BULKHEAD UNION PAGE 23
 3945 BULKHEAD 45° UNION ELBOW PAGE 24	 3955 BULKHEAD UNION ELBOW PAGE 24	 3965 BULKHEAD TEE PAGE 24	 3985 FEMALE BULKHEAD PAGE 25	 3355-SW SWIVEL NUT 45° ELBOW PAGE 25	 3505-SW SWIVEL NUT 90° ELBOW PAGE 25	 3605-SW SWIVEL NUT BRANCH TEE PAGE 26
 3755-SW SWIVEL NUT RUN TEE PAGE 26	 3105-SW MALE PIPE TO 37° FEMALE SWIVEL PAGE 26	 3255-SW FEMALE PIPE TO 37° FEMALE SWIVEL PAGE 26	 A3105-SW O-RING S.A.E. TO 37° FEMALE SWIVEL PAGE 26	 A3405-SW O-RING S.A.E. ADJUSTABLE PAGE 26	 3765 CROSS FLARE TUBE END PAGE 27	 3775 CROSS FLARE TUBE END PAGE 27
 3785 CROSS FLARE TUBE END PAGE 27	 3795 CROSS FLARE TUBE END PAGE 27	 3815 MALE CROSS FLARE TUBE END PAGE 27	 3825 TEE FEMALE PIPE END PAGE 27	 3865 TEE MALE PIPE END PAGE 27	 3875 TEEMALE PIPE END PAGE 27	 3885 TEE FLARE TUBE END PAGE 27
 3895 TEE FLARE TUBE END PAGE 27	 3915 TEE FLARE TUBE END PAGE 27	 3925 TEE FEMALE PIPE END PAGE 27	 3935 TEE FLARE TUBE END PAGE 27	 3995 MALE BULKHEAD FLARE TUBE END PAGE 27	 A-3105 MALE CONNECTOR PAGE 28	 A-3105-L LONG MALE CONNECTOR PAGE 28
 A-3355 MALE 45° ELBOW PAGE 28	 A-3405 MALE ELBOW PAGE 29	 A-3405-L LONG MALE ELBOW PAGE 29	 A-3405-LL EXTRA LONG MALE ELBOW PAGE 29	 A-3605 MALE BRANCH TEE PAGE 30	 A-3755 MALE RUN TEE PAGE 30	 3205 TUBE NUT 3-PIECE PAGE 31

# VISUAL INDEX

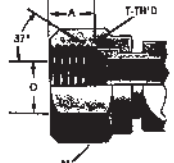
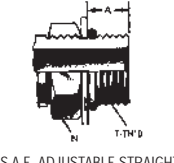
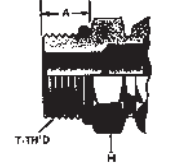
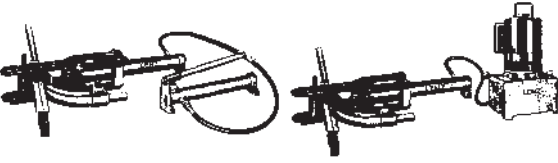






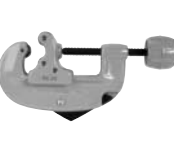


I N D E X

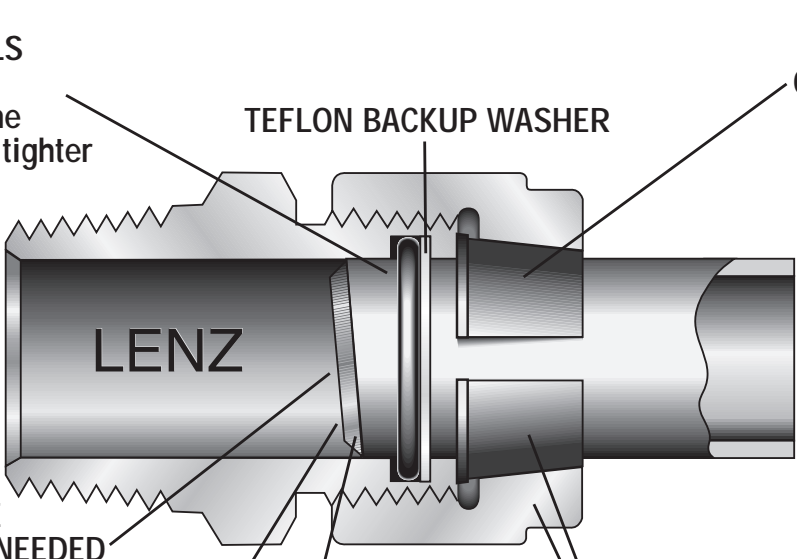
 3165 TUBE SLEEVE Page 31	 2205-S TWO PIECE TUBE SHORT NUT Page 31	 2205 TWO PIECE TUBE NUT Page 31	 3208 37° FLARE BULKHEAD NUT Page 32	 2205-C CAP NUT Page 32	 3105-P TUBE PLUG Page 32	 3140 FLARE TUBE END REDUCERS Page 33
 HB HEX BUSHINGS Page 33	 RPN REDUCING PIPE NIPPLES Page 34	 PRC PIPE REDUCING CONNECTORS Page 34	 PN PIPE NIPPLES Page 35	 FPE FEMALE PIPE ELBOWS Page 35	 MPE MALE PIPE ELBOWS Page 35	 SE STREET ELBOWS Page 36
 45 SE 45° STREET ELBOWS Page 36	 MPT MALE PIPE TEE Page 36	 PT PIPE TEES Page 36	 ST STREET TEES Page 37	 MST MALE STREET TEE Page 37	 FRT FEMALE RUN TEE Page 37	 MRT MALE RUN TEE Page 37
 FPC FEMALE PIPE CROSS Page 38	 PC PIPE COUPLINGS Page 38	 RPC REDUCING PIPE COUPLINGS Page 38	 PU PIPE UNIONS Page 38	 HHP HOLLOW HEX PLUGS Page 39	 HP HEX PLUGS Page 39	 SHP SQUARE HEAD PLUGS Page 39
 SPN SEAMLESS PIPE NIPPLES Page 39	 AAU-S.A.E. MALE UNION Page 40	 ASE-S.A.E. FEMALE PIPE ELBOW Page 40	 AST-S.A.E. FEMALE SAE TEE Page 40	 AHPH "O" RING HOLLOW HEX PLUG Page 40	 STP S.A.E. STRAIGHT THREAD PLUG Page 41	 PAC MALE PIPE THREAD CONNECTOR Page 41
 APN MALE CONNECTOR Page 41	 ARC S.A.E. STRAIGHT THREAD Page 42	 APC FEMALE CONNECTOR Page 42	 M-UAD MALE UNION SWIVEL ADAPTER Page 43	 F-UAD FEMALE UNION SWIVEL ADAPTER Page 43	 ME-UAD MALE UNION ELBOW SWIVEL ADAPTER Page 43	 M-UAD MALE UNION ELBOW SWIVEL ADAPTER Page 44
 FE-UAD FEMALE UNION ELBOW SWIVEL ADAPTER Page 44	 SM-UAD S.A.E. STRAIGHT THREAD MALE UNION ADAPTER Page 44	 SME-UAD S.A.E. STRAIGHT THREAD MALE UNION ELBOW SWIVEL ADAPTER Page 45	 MT-UAD MALE UNION TEE SWIVEL ADAPTER Page 45	 MEX-UAD MALE 45° UNION ELBOW SWIVEL ADAPTER Page 45	 FT-UAD FEMALE UNION TEE SWIVEL ADAPTER Page 46	 T-UAD FEMALE UNION TEE SWIVEL ADAPTER Page 46
 FEX-UAD 45° UNION ELBOW SWIVEL ADAPTER Page 46	 MALE PIPE THREAD END (DRY SEAL) Page 47	 FEMALE PIPE THREAD END (DRY SEAL) Page 47	 LENZ "O-RING SEAL" END Page 47	 LENZ "O-RING SEAL" BULKHEAD END Page 47	 J.I.C. 37° FLARE MALE BULKHEAD END Page 48	 J.I.C. 37° FLARE MALE END Page 48



# VISUAL

I N D E X

 <p><b>FEMALE J.I.C. 37° SWIVEL END</b> Page 48</p>	 <p><b>S.A.E. ADJUSTABLE STRAIGHT THREAD "O-RING" TYPE END</b> Page 48</p>	 <p><b>S.A.E. STRAIGHT THREAD "O-RING" TYPE END</b> Page 49</p>	 <p><b>1880 HYDRAULIC TUBE BENDERS</b> Page 49</p>	 <p><b>412 LENZ TEFLON SEALING TAPE</b> Page 49</p>	
 <p><b>FT 573 / FT 673 FLARING TOOLS</b> Page 50</p>	 <p><b>1763 HAND TUBE BENDERS</b> Page 50</p>	 <p><b>ABV AIR BLEEDER VALVES</b> Page 50</p>	 <p><b>LENZ O-RING KIT</b> Page 51</p>	 <p><b>ODC OUTSIDE DEBURRING CUTTERS</b> Page 51</p>	 <p><b>216 &amp; 834 TUBE CUTTERS</b> Page 51</p>
 <p><b>PCC LENZ S.A.E. PORT CONTOUR CUTTERS</b> Page 52</p>		 <p><b>PCT LENZ PRECISION S.A.E. PORT THREAD TAPS</b> Page 52</p>			



**O-RING SEALS THE TUBE**  
The higher the pressure the tighter the seal

**J.I.C. APPROVED MEETS ALL S.A.E. STANDARDS**

**A HACKSAW AND FILE ARE ONLY TOOLS NEEDED**  
(TUBE CUTTER & DEBURRING TOOL PREFERRED)

**NO EXACT TUBE LENGTH NECESSARY**  
(TUBE MAY PASS THRU ON MANY STD. FITTINGS)

**NOT NECESSARY TO CUT THE TUBE SQUARE**

**TEFLON BACKUP WASHER**

**SPLIT RING GRIPS THE TUBE OVER A WIDE AREA**  
The higher the pressure, the stronger the grip

**EVERY PART CAN BE REUSED**  
**REMAINS LEAKPROOF NO MATTER HOW OFTEN RE-ASSEMBLED**

**NO CONCENTRATION OF STRESSES BECAUSE OF FLARES OR FERRULES**

**UNAFFECTED BY VIBRATION**  
**TUBE HELD BY THE FRICTION GRIP OF THESE TWO**

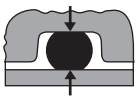
**NO METAL TO METAL SEAL**  
**PATENTED AND PATENTS PENDING**

**LENZ**

# O-RING SEAL TUBE FITTING

- The Only Tube Fittings of Their Kind • Why They Are Exclusively Different
- How They Save You Time and Costs • How They Perform • How to Assemble

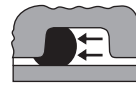
## THE PRESSURE IS THE SEALING FORCE



**AT ZERO PRESSURE.** When the tube is inserted in the fitting past the O-Ring there is a slight compression and the resiliency of the O-Ring makes a secure, lasting seal!



**UNDER PRESSURE.** The pressure is the sealing force, pushing the O-Ring to the edge of the groove. As pressure increases the O-Ring "knows" making the seal tighter!

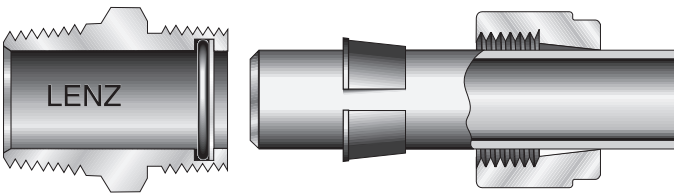


**UNDER VACUUM OR SUCTION.** If vacuum or suction is applied the O-Ring "Intelligence" recognizes the condition and reverses its action to seal just as tightly!

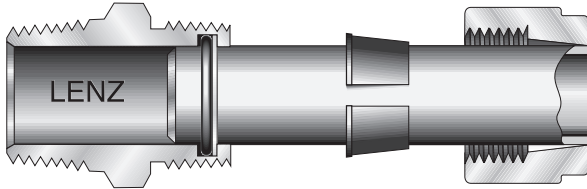
### "O-RING SEAL" FITTINGS ARE EASILY INSTALLED



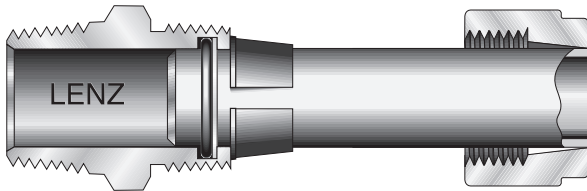
**A. DEBURR THE TUBE - Prevents cutting the O-Ring.** Not necessary to cut the tube square.



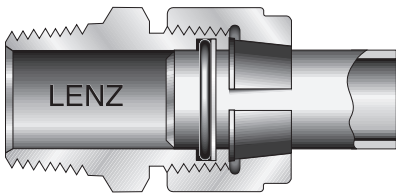
**B. SLIDE NUT and TAPERED SPLIT RING ON TUBE.** The large end of the tapered ring should face the fitting.



**C. OIL THE O-RING - Then insert the tube past the O-Ring.**



**D. SLIDE TAPERED SPLIT RING - Slide up to the fitting.**

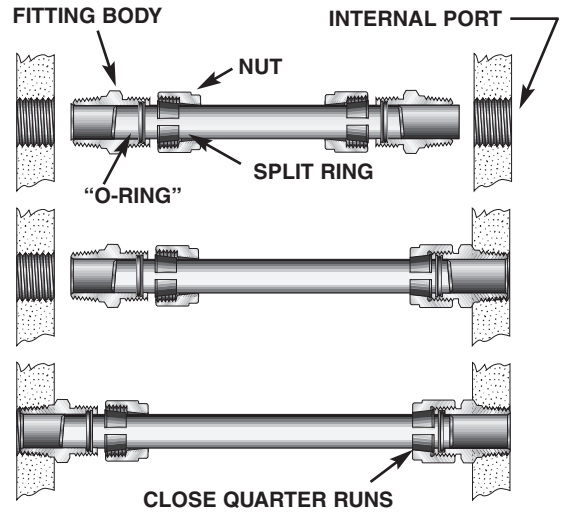


**E. TIGHTEN NUT HAND TIGHT - then with wrench tighten one turn or until the rear of the tapered ring is flush with the nut.**

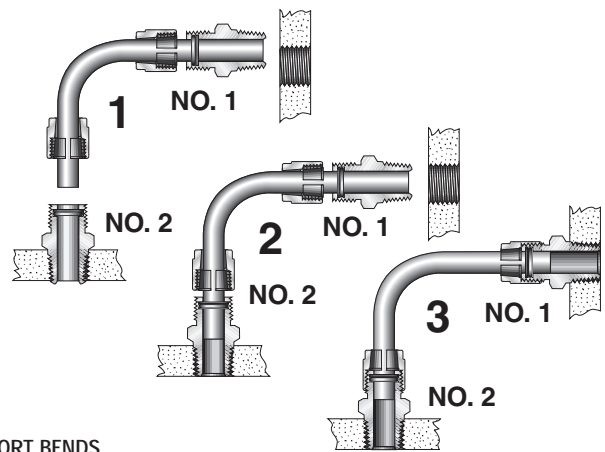
**HOW THE SPLIT RING GRIPS -** Note the taper. As nut is tightened the ring is wrapped around the tube, gripping it in like manner to a locking collet in a chuck. This principle grips and locks tighter and stronger as the pressure increases. Note that the nut has nothing to do with the seal... It is separate!

Lenz O-ring Seal tube fitting performs equally well on stainless steel tubing as with carbon steel tubing, but requires the use of stainless steel sleeves (#165-xxSS) and stainless steel buffer washers (#195-xx-SS), even when used with steel fittings. Example, when ordering: 100-12-12 with ss sleeves.

### ONLY LENZ "O-RING" SEAL FITTINGS CAN SOLVE THESE DIFFICULT INSTALLATIONS



1. Cut tube maximum length allowable. Deburr tube end so that it does not cut O-Ring.
2. Slide nut, tapered split ring and body on each end of tube.
3. Insert and tighten one fitting in port. Slide tapered split ring up to fitting body and tighten nut.
4. Slide remaining fitting to port, insert and tighten in regular manner.



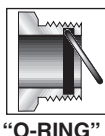
#### SHORT BENDS

1. Deburr tube end. Slide nut, tapered split ring and fitting body No. 1 on end of tube.
2. Slide only the nut and tapered split ring on other end. Insert fitting body No. 2 into port.
3. Push tube into installed fitting body No. 2 until other end of tube is aligned with the other port.
4. Install fitting body No. 1 into port. Slide both split rings up to fitting bodies and tighten in regular manner.

WHEN ORDERING LENZ FITTINGS IN ALL STAINLESS STEEL ADD SS TO THE PART NUMBER. EXAMPLE: 100-12-12-SS  
THE LENZ FITTING COMES TO YOU WITH THE O-RING AND TEFLON BACK-UP WASHER INSTALLED COMPLETE.



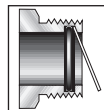
**PROPER INSTALLATION OF O-RING & TEFLON BACK-UP WASHER**



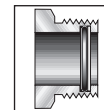
"O-RING"

INSTALL "O-RING" FIRST

Then work in Teflon back-up washer on the side of the "O-Ring" toward the opening.



OIL the "O-Ring"



"O-RING" AND TEFLON BACK-UP WASHER IN PLACE



# "O-RING SEAL"

## T A P E R E D P I P E T H R E A D

"O-RING SEAL"

### 100 • Male Connector

Part No.	Tube O.D.	Male Pipe Thread	Overall Length
100-2-2	1/8"	1/8"	1 1/8"
100-4-2	1/4"	1/8"	1 1/32"
100-4-4*	1/4"	1/4"	1 1/2"
100-5-2	5/16"	1/8"	1 1/32"
100-5-4*	5/16"	1/4"	1 1/2"
100-6-4	3/8"	1/4"	1 19/32"
100-6-2	3/8"	1/8"	1 7/16"
100-6-6*	3/8"	3/8"	1 5/8"
100-6-8*	3/8"	1/2"	1 13/16"
100-8-6	1/2"	3/8"	1 7/8"
100-8-4	1/2"	1/4"	1 7/8"
100-8-8*	1/2"	1/2"	2 1/16"
100-8-12*	1/2"	3/4"	2 1/16"
100-10-8	5/8"	1/2"	2 3/16"
100-10-4	5/8"	1/4"	2"
100-10-6	5/8"	3/8"	2"
100-10-12*	5/8"	3/4"	2 7/32"
100-12-12*	3/4"	3/4"	2 3/8"
100-12-8	3/4"	1/2"	2 3/8"
100-14-12	7/8"	3/4"	2 13/32"
100-16-16**	1"	1"	2 3/4"
100-16-12	1"	3/4"	2 9/16"
100-18-16	1 1/8"	1"	2 7/8"
100-20-20*	1 1/4"	1 1/4"	3 1/16"
100-20-16	1 1/4"	1"	3 1/16"
100-20-24*	1 1/4"	1 1/2"	3 1/8"
100-24-24*	1 1/2"	1 1/2"	3 1/4"
100-24-20	1 1/2"	1 1/4"	3 1/4"
100-28-24	1 3/4"	1 1/2"	3 1/4"
100-28-32	1 3/4"	2"	3 29/32"
100-32-32	2"	2"	3 29/32"
100-32-20	2"	1 1/4"	3 27/32"
100-32-24	2"	1 1/2"	3 27/32"

\* Fittings with tube diameter bored through  
 \*\* Tube diameter bored through, optional

### 100-L • Long Male Connector

Part No.	Tube O.D.	Male Pipe Thread	Overall Length
100L-4-2	1/4"	1/8"	2"
100L-5-2	5/16"	1/8"	2 1/8"
100L-6-4	3/8"	1/4"	2 15/32"
100L-8-6	1/2"	3/8"	3 5/32"
100L-10-8	5/8"	1/2"	3 1/2"
100L-12-12	3/4"	3/4"	3 29/32"
100L-14-12	7/8"	3/4"	4 5/32"
100L-16-16	1"	1"	4 1/2"
100L-20-20	1 1/4"	1 1/4"	5 7/32"
100L-24-24	1 1/2"	1 1/2"	5 19/32"

### 100-LL • Extra Long Male Connector

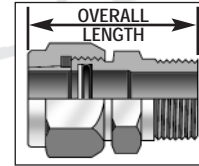
Part No.	Tube O.D.	Male Pipe Thread	Overall Length
100LL-4-2	1/4"	1/8"	2 3/4"
100LL-5-2	5/16"	1/8"	3"
100LL-6-4	3/8"	1/4"	3 15/32"
100LL-8-6	1/2"	3/8"	4 1 1/32"
100LL-10-8	5/8"	1/2"	4 3/4"
100LL-12-12	3/4"	3/4"	5 13/32"
100LL-14-12	7/8"	3/4"	5 25/32"
100LL-16-16	1"	1"	6 1/4"
100LL-20-20	1 1/4"	1 1/4"	7 7/32"
100LL-24-24	1 1/2"	1 1/2"	7 27/32"

### 100 MALE CONNECTOR TUBE END-MALE PIPE END

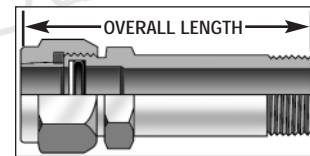
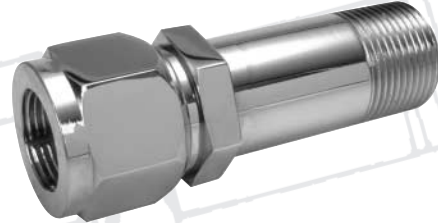
Tubing may be pushed all the way through the male connectors marked with an asterisk\*. This exclusive feature has many uses in hydraulic or air circuitry. For other fittings with this feature see Series 250 (opposite page) and Series A100.



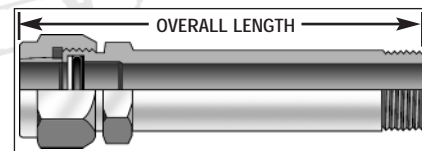
Part Numbers Include Body Nuts, Sleeves, "O-Rings" and Back-Up Washers.



### 100-L LONG MALE CONNECTOR TUBE END-MALE PIPE END



### 100-LL EXTRA LONG MALE CONNECTOR TUBE END-MALE PIPE END



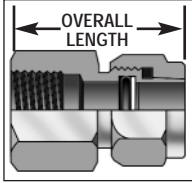
#### Stainless Steel Tubing

Lenz O-ring Seal tube fitting performs equally well on stainless steel tubing as with carbon steel tubing, but requires the use of stainless steel sleeves (#165-xxSS) and stainless steel buffer washers (#195-xx-SS), even when used with steel fittings. Example, when ordering: 100-12-12 with ss sleeves. When Ordering Lenz Fittings in all Stainless Steel Add SS To The Part Number. Example: 100-12-12-SS

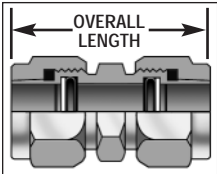
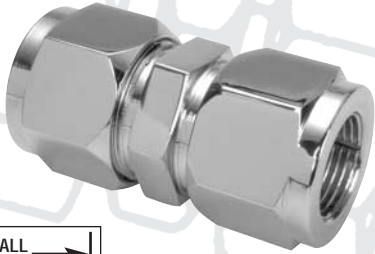
# "O-RING SEAL"

T A P E R E D P I P E T H R E A D

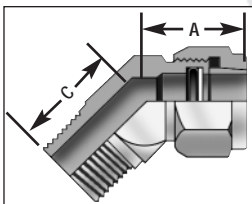
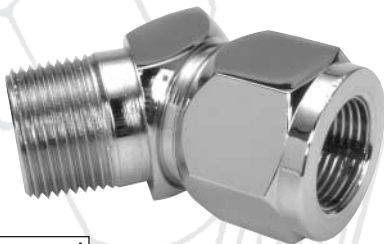
**250**  
**FEMALE CONNECTOR**  
**TUBE END-FEMALE PIPE END**



**300**  
**UNION**  
**TUBE END-BOTH ENDS**



**350**  
**MALE 45° ELBOW - TUBE END**  
**MALE PIPE END**



**250 • Female Connector**

Part No.	Tube O.D.	Female Pipe Thread	Overall Length
250-4-2*	1/4"	1/8"	1 11/32"
250-4-4*	1/4"	1/4"	1 15/32"
250-5-2*	5/16"	1/8"	1 11/32"
250-5-4*	5/16"	1/4"	1 15/32"
250-6-4*	3/8"	1/4"	1 17/32"
250-6-2	3/8"	1/8"	1 7/32"
250-6-6*	3/8"	3/8"	1 21/32"
250-8-6*	1/2"	3/8"	1 7/8"
250-8-4	1/2"	1/4"	1 19/32"
250-8-8*	1/2"	1/2"	2 1/16"
250-10-8*	5/8"	1/2"	2 5/32"
250-10-4	5/8"	1/4"	1 23/32"
250-10-6	5/8"	3/8"	1 23/32"
250-12-12*	3/4"	3/4"	2 5/16"
250-12-8	3/4"	1/2"	2 1/16"
250-14-12*	7/8"	3/4"	2 5/16"
250-14-20*	7/8"	1 1/4"	2 11/16"
250-16-16*	1"	1"	2 23/32"
250-16-12	1"	3/4"	2 7/32"
250-16-24*	1"	1 1/2"	2 29/32"
250-18-16*	1 1/8"	1"	2 11/16"
250-20-20*	1 1/4"	1 1/4"	3"
250-24-24*	1 1/2"	1 1/2"	3 5/32"
250-24-20*	1 1/2"	1 1/4"	2 25/32"
250-32-32*	2"	2"	3 19/32"

\* Fittings with tube diameter bored through

**300 • Union**

Part No.	Tube O.D.	Overall Length
300-2	1/8"	1 5/16"
300-4	1/4"	1 11/16"
300-5	5/16"	1 11/16"
300-6	3/8"	1 13/16"
300-8	1/2"	2 9/32"
300-10	5/8"	2 9/16"
300-12	3/4"	2 7/8"
300-14	7/8"	2 15/16"
300-16	1"	3 3/16"
300-20	1 1/4"	3 3/4"
300-24	1 1/2"	4 1/16"
300-32	2"	4 15/16"

**350 • Male 45° Elbow**

Part No.	Tube O.D.	Male Pipe Thread	"A" (Tube Leg)	"C" (Male Pipe Leg)
350-4-2	1/4"	1/8"	25/32"	5/8"
350-5-2	5/16"	1/8"	7/8"	5/8"
350-6-4	3/8"	1/4"	1"	27/32"
350-6-6	3/8"	3/8"	1"	15/16"
350-8-6	1/2"	3/8"	17/32"	15/16"
350-8-4	1/2"	1/4"	17/32"	15/16"
350-8-8	1/2"	1/2"	1 15/32"	1 5/32"
350-10-8	5/8"	1/2"	1 15/32"	1 5/32"
350-12-12	3/4"	3/4"	1 5/8"	1 3/16"
350-12-8	3/4"	1/2"	1 5/8"	1 5/32"
350-14-12	7/8"	3/4"	1 9/16"	1 1/4"
350-16-16	1"	1"	1 13/16"	1 15/32"
350-16-12	1"	3/4"	1 13/16"	1 9/32"
350-20-20	1 1/4"	1 1/4"	2 7/32"	1 21/32"
350-24-24	1 1/2"	1 1/2"	2 13/32"	1 3/4"
350-32-32	2"	2"	2 15/16"	2 1/32"

# "O-RING SEAL"

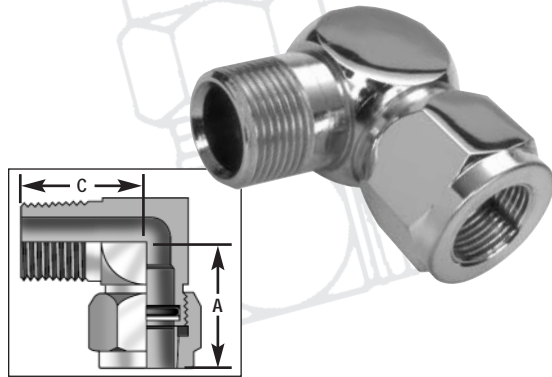
T A P E R E D P I P E T H R E A D

"O-RING SEAL"

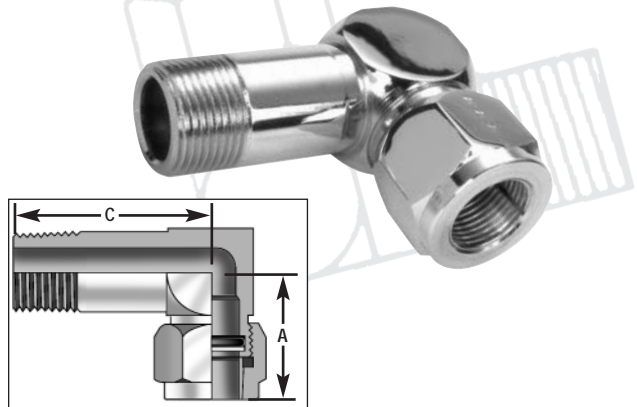
## 400 • Male Elbow

Part No.	Tube O.D.	Male Pipe Thread	"A" (Tube Leg)	"C" Male Pipe Leg
400-2-2	1/8"	1/8"	25/32"	25/32"
400-4-2	1/4"	1/8"	1"	25/32"
400-4-4	1/4"	1/4"	1 1/16"	1 3/32"
400-5-2	5/16"	1/8"	1 1/32"	25/32"
400-5-4	5/16"	1/4"	1 1/32"	1 3/32"
400-6-4	3/8"	1/4"	1 1/8"	1 3/32"
400-6-2	3/8"	1/8"	1 1/8"	7/8"
400-6-6	3/8"	3/8"	1 3/16"	1 7/32"
400-6-8	3/8"	1/2"	1 1/4"	1 15/32"
400-8-6	1/2"	3/8"	1 15/32"	1 7/32"
400-8-4	1/2"	1/4"	1 15/32"	1 5/32"
400-8-8	1/2"	1/2"	1 15/32"	1 15/32"
400-8-12	1/2"	3/4"	1 19/32"	1 9/16"
400-10-8	5/8"	1/2"	1 21/32"	1 15/32"
400-10-4	5/8"	1/4"	1 21/32"	1 5/16"
400-10-6	5/8"	3/8"	1 21/32"	1 3/8"
400-10-12	5/8"	3/4"	1 23/32"	1 19/32"
400-12-12	3/4"	3/4"	1 23/32"	1 19/32"
400-12-8	3/4"	1/2"	1 27/32"	1 9/16"
400-14-12	7/8"	3/4"	1 15/16"	1 11/16"
400-16-16	1"	1"	2 7/32"	1 31/32"
400-16-12	1"	3/4"	2 7/32"	1 23/32"
400-18-16	1 1/8"	1"	2 13/32"	2 1/8"
400-20-20	1 1/4"	1 1/4"	2 19/32"	2 3/8"
400-20-16	1 1/4"	1"	2 19/32"	2 3/8"
400-20-24	1 1/4"	1 1/2"	2 23/32"	2 5/8"
400-24-24	1 1/2"	1 1/2"	2 29/32"	2 5/8"
400-24-20	1 1/2"	1 1/4"	2 29/32"	2 5/8"
400-32-32	2"	2"	3 19/32"	3"
400-32-24	2"	1 1/2"	3 19/32"	3"

## 400 MALE ELBOW • TUBE END - MALE PIPE END



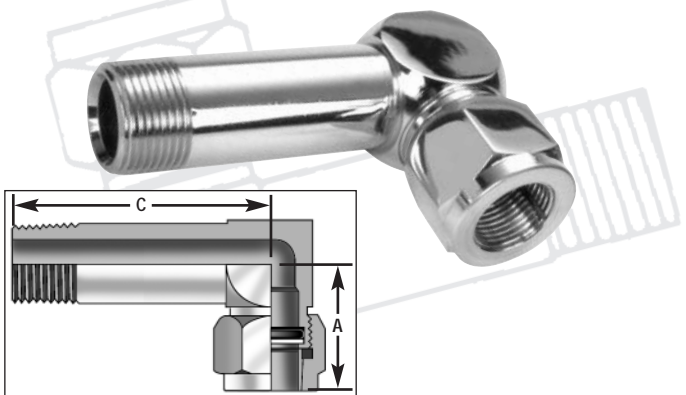
## 400-L LONG MALE ELBOW TUBE END - MALE PIPE END



## 400-L • Long Male Elbow

Part No.	Tube O.D.	Male Pipe Thread	"A" (Tube Leg)	"C" (Male Pipe Leg)
400L-4-2	1/4"	1/8"	1"	1 3/16"
400L-5-2	5/16"	1/8"	1 1/32"	1 1/4"
400L-6-4	3/8"	1/4"	1 1/8"	1 21/32"
400L-8-6	1/2"	3/8"	1 15/32"	1 27/32"
400L-10-8	5/8"	1/2"	1 21/32"	2 7/32"
400L-12-12	3/4"	3/4"	1 27/32"	2 15/32"
400L-14-12	7/8"	3/4"	1 15/16"	2 23/32"
400L-16-16	1"	1"	2 7/32"	3 1/16"
400L-20-20	1 1/4"	1 1/4"	2 19/32"	3 11/16"

## 400-LL EXTRA LONG MALE ELBOW TUBE END - MALE PIPE END



## 400-LL • Extra Long Male Elbow

Part No.	Tube O.D.	Male Pipe Thread	"A" (Tube Leg)	"C" (Male Pipe Leg)
400LL-4-2	1/4"	1/8"	1"	1 17/32"
400LL-5-2	5/16"	1/8"	1 1/32"	1 5/8"
400LL-6-4	3/8"	1/4"	1 1/8"	2 3/32"
400LL-8-6	1/2"	3/8"	1 15/32"	2 1/2"
400LL-10-8	5/8"	1/2"	1 21/32"	3"
400LL-12-12	3/4"	3/4"	1 27/32"	3 1/32"
400LL-14-12	7/8"	3/4"	1 15/16"	3 5/8"
400LL-16-16	1"	1"	2 7/32"	4 3/16"
400LL-20-20	1 1/4"	1 1/4"	2 19/32"	4 7/8"

Note: 400LL Elbows will turn above 400 Elbows & 400LLL Elbows will turn above 400LL Elbows

### Stainless Steel Tubing

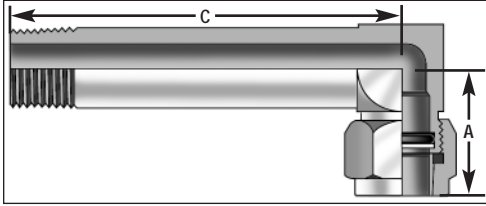
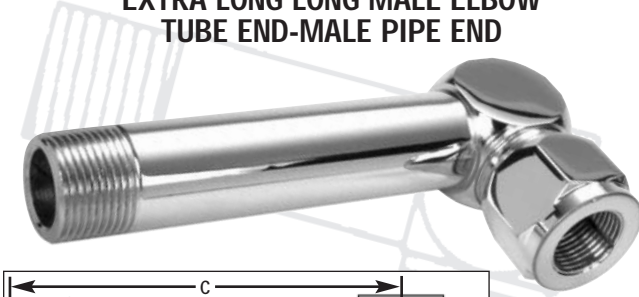
Lenz O-ring Seal tube fitting performs equally well on stainless steel tubing as with carbon steel tubing, but requires the use of stainless steel sleeves (#165-xxSS) and stainless steel buffer washers (#195-xx-SS), even when used with steel fittings. Example, when ordering: 100-12-12 with ss sleeves. When Ordering Lenz Fittings in all Stainless Steel Add SS To The Part Number. Example: 100-12-12-SS



# "O-RING SEAL"

T A P E R E D P I P E T H R E A D

**400-LLL**  
EXTRA LONG LONG MALE ELBOW  
TUBE END-MALE PIPE END

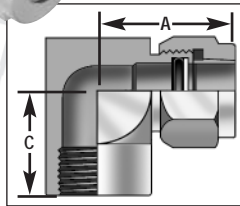
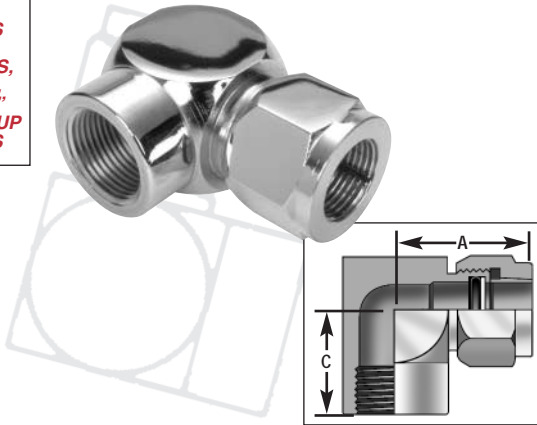


**400-LLL • Extra Long, Long Male Elbow**

Part No.	Tube O.D.	Male Pipe Thread	"A" (Tube Leg)	"C" (Male Pipe Leg)
400LLL-4-2	1/4"	1/8"	1"	25/16"
400LLL-5-2	5/16"	1/8"	1 1/32"	29/16"
400LLL-6-4	3/8"	1/4"	1 1/8"	3 1/16"
400LLL-8-6	1/2"	3/8"	1 15/32"	3 3/4"
400LLL-10-8	5/8"	1/2"	1 21/32"	4 1/2"
400LLL-12-12	3/4"	3/4"	1 27/32"	5 1/32"
400LLL-14-12	7/8"	3/4"	1 15/16"	5 9/16"
400LLL-16-16	1"	1"	2 7/32"	6 3/8"
400LLL-20-20	1 1/4"	1 1/4"	2 19/32"	7 3/8"

**450**  
FEMALE ELBOW • TUBE END  
FEMALE PIPE END

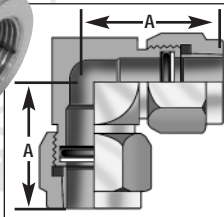
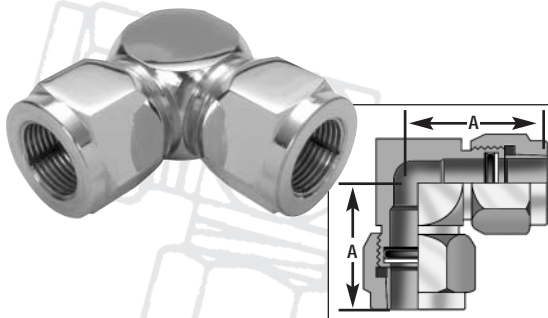
PART NUMBERS INCLUDE BODY NUTS, SLEEVES, "O-RINGS" AND BACK-UP WASHERS



**450 • Female Elbow**

Part No.	Tube O.D.	Female Pipe Thread	"A" (Tube Leg)	"C" (Female Pipe Leg)
450-2-2	1/8"	1/8"	27/32"	2 1/32"
450-4-2	1/4"	1/8"	1 1/16"	2 1/32"
450-4-4	1/4"	1/4"	1 3/16"	2 9/32"
450-5-2	5/16"	1/8"	1 1/32"	2 1/32"
450-5-4	5/16"	1/4"	1 5/32"	2 9/32"
450-6-4	3/8"	1/4"	1 1/4"	2 9/32"
450-6-2	3/8"	1/8"	1 1/8"	2 1/32"
450-6-6	3/8"	3/8"	1 5/16"	3 1/32"
450-6-8	3/8"	1/2"	1 3/8"	1 1/4"
450-8-6	1/2"	3/8"	1 17/32"	3 1/32"
450-8-4	1/2"	1/4"	1 15/32"	2 9/32"
450-8-8	1/2"	1/2"	1 19/32"	1 1/4"
450-10-8	5/8"	1/2"	1 23/32"	1 1/4"
450-10-4	5/8"	1/4"	1 21/32"	3 1/32"
450-10-6	5/8"	3/8"	1 21/32"	3 1/32"
450-12-12	3/4"	3/4"	1 31/32"	1 11/32"
450-12-8	3/4"	1/2"	1 27/32"	1 1/4"
450-14-12	7/8"	3/4"	2"	1 11/32"
450-16-16	1"	1"	2 11/32"	1 5/8"
450-16-12	1"	3/4"	2 7/32"	1 15/32"
450-20-20	1 1/4"	1 1/4"	2 25/32"	1 11/16"
450-20-16	1 1/4"	1"	2 19/32"	1 5/8"
450-24-24	1 1/2"	1 1/2"	3 3/32"	2 1/16"
450-32-32	2"	2"	3 25/32"	2 3/8"

**500**  
ELBOW UNION  
TUBE END - BOTH OPENINGS



**500 • Elbow Union**

Part No.	Tube O.D.	"A" (Tube Leg)
500-2	1/8"	25/32"
500-4	1/4"	1"
500-5	5/16"	1 1/32"
500-6	3/8"	1 1/8"
500-8	1/2"	1 15/32"
500-10	5/8"	1 21/32"
500-12	3/4"	1 27/32"
500-14	7/8"	1 15/16"
500-16	1"	2 7/32"
500-20	1 1/4"	2 19/32"
500-24	1 1/2"	2 29/32"
500-32	2"	3 19/32"

**Stainless Steel Tubing**

Lenz O-ring Seal tube fitting performs equally well on stainless steel tubing as with carbon steel tubing, but requires the use of stainless steel sleeves (#165-xxSS) and stainless steel buffer washers (#195-xx-SS), even when used with steel fittings. Example, when ordering: 100-12-12 with ss sleeves. When Ordering Lenz Fittings in all Stainless Steel Add SS To The Part Number. Example: 100-12-12-SS

# "O-RING SEAL"

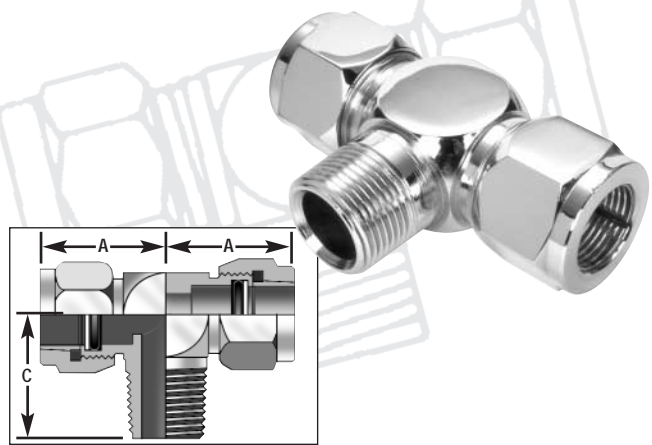
T A P E R E D P I P E T H R E A D

"O-RING SEAL"

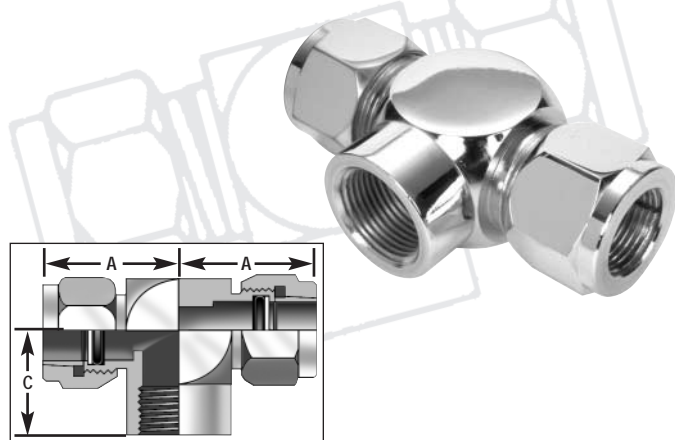
## 600 • Male Branch Tee

Part No.	Tube O.D.	Male Pipe Thread	"A" (Tube Leg)	"C" (Male Pipe Leg)
600-2-2-2	1/8"	1/8"	25/32"	25/32"
600-4-4-2	1/4"	1/8"	1"	25/32"
600-4-4-4	1/4"	1/4"	1 1/16"	1 3/32"
600-5-5-2	5/16"	1/8"	1 1/32"	25/32"
600-5-5-4	5/16"	1/4"	1 1/32"	1 3/32"
600-6-6-4	3/8"	1/4"	1 1/8"	1 3/32"
600-6-6-2	3/8"	1/8"	1 1/8"	7/8"
600-6-6-6	3/8"	3/8"	1 3/16"	1 7/32"
600-6-6-8	3/8"	1/2"	1 1/4"	1 15/32"
600-8-8-6	1/2"	3/8"	1 15/32"	1 7/32"
600-8-8-4	1/2"	1/4"	1 15/32"	1 5/32"
600-8-8-8	1/2"	1/2"	1 15/32"	1 15/32"
600-10-10-8	5/8"	1/2"	1 21/32"	1 15/32"
600-10-10-6	5/8"	3/8"	1 21/32"	1 3/8"
600-10-10-12	5/8"	3/4"	1 23/32"	1 19/32"
600-12-12-12	3/4"	3/4"	1 27/32"	1 19/32"
600-12-12-8	3/4"	1/2"	1 27/32"	1 9/16"
600-14-14-12	7/8"	3/4"	1 15/16"	1 5/8"
600-16-16-16	1"	1"	2 7/32"	1 31/32"
600-16-16-12	1"	3/4"	2 7/32"	1 23/32"
600-20-20-20	1 1/4"	1 1/4"	2 19/32"	2 3/8"
600-20-20-16	1 1/4"	1"	2 19/32"	2 3/8"
600-24-24-24	1 1/2"	1 1/2"	2 29/32"	2 5/8"
600-24-24-20	1 1/2"	1 1/4"	2 29/32"	2 5/8"
600-32-32-32	2"	2"	3 19/32"	3"

## 600 MALE BRANCH TEE • TUBE END - TUBE END-MALE PIPE SIDE OUTLET



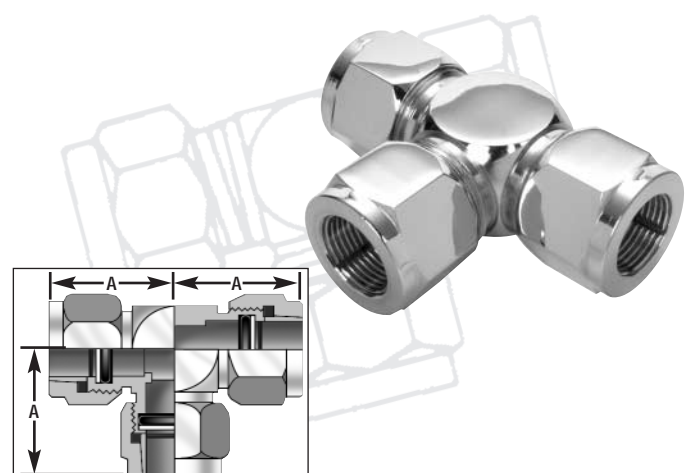
## 650 FEMALE BRANCH TEE • TUBE END - TUBE END - FEMALE PIPE SIDE OUTLET



## 650 • Female Branch Tee

Part No.	Tube O.D.	Female Pipe Thread	"A" (Tube Leg)	"C" Female Pipe Leg
650-2-2-2	1/8"	1/8"	27/32"	21/32"
650-4-4-2	1/4"	1/8"	1 1/16"	21/32"
650-4-4-4	1/4"	1/4"	1 3/16"	29/32"
650-5-5-2	5/16"	1/8"	1 1/16"	21/32"
650-5-5-4	5/16"	1/4"	1 5/32"	29/32"
650-6-6-4	3/8"	1/4"	1 1/4"	29/32"
650-6-6-2	3/8"	1/8"	1 1/8"	21/32"
650-8-8-6	1/2"	3/8"	1 17/32"	31/32"
650-8-8-4	1/2"	1/4"	1 15/32"	29/32"
650-8-8-8	1/2"	1/2"	1 19/32"	1 1/4"
650-10-10-8	5/8"	1/2"	1 23/32"	1 1/4"
650-10-10-4	5/8"	1/4"	1 21/32"	31/32"
650-12-12-12	3/4"	3/4"	1 31/32"	1 11/32"
650-12-12-8	3/4"	1/2"	1 27/32"	1 1/4"
650-14-14-12	7/8"	3/4"	2"	1 11/32"
650-16-16-16	1"	1"	2 11/32"	1 5/8"
650-20-20-20	1 1/4"	1 1/4"	2 25/32"	1 11/16"
650-24-24-24	1 1/2"	1 1/2"	3 3/32"	2 1/16"
650-32-32-32	2"	2"	3 25/32"	2 3/8"

## 700 TEE UNION TUBE END - ALL OPENINGS



## 700 • Tee Union Tube End

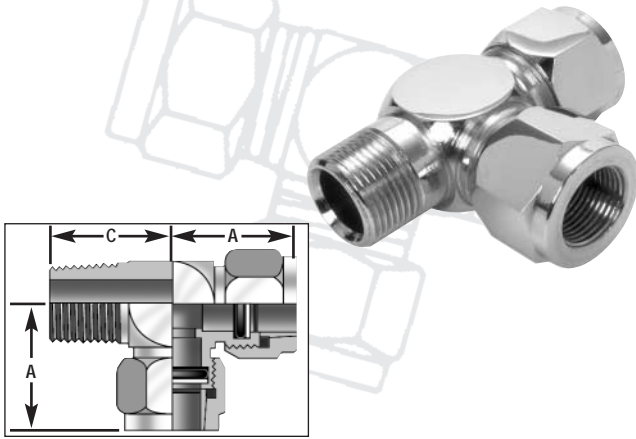
Part No.	Tube O.D.	"A" (Tube Leg)
700-2	1/8"	25/32"
700-4	1/4"	1"
700-5	5/16"	1 1/32"
700-6	3/8"	1 1/8"
700-8	1/2"	1 15/32"
700-10	5/8"	1 21/32"
700-12	3/4"	1 27/32"
700-14	7/8"	1 15/16"
700-16	1"	2 7/32"
700-20	1 1/4"	2 19/32"
700-24	1 1/2"	2 29/32"
700-32	2"	3 19/32"

# "O-RING SEAL"

## T A P E R E D P I P E T H R E A D

### 750

**MALE RUN TEE • TUBE END -  
MALE PIPE END - TUBE SIDE OUTLET**



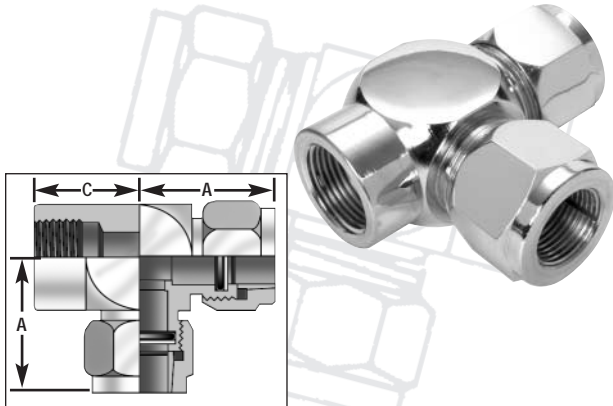
### 750 • Male Run Tee

Part No.	Tube O.D.	Male Pipe Thread	"A" (Tube Leg)	"C" (Male Pipe Leg)
750-2-2-2	1/8"	1/8"	25/32"	25/32"
750-4-2-4	1/4"	1/8"	1"	25/32"
750-5-2-5	5/16"	1/8"	1 1/32"	25/32"
750-6-4-6	3/8"	1/4"	1 1/8"	13/32"
750-6-2-6	3/8"	1/8"	1 1/8"	7/8"
750-8-6-8	1/2"	3/8"	1 15/32"	17/32"
750-10-8-10	5/8"	1/2"	1 21/32"	1 15/32"
750-12-12-12	3/4"	3/4"	1 27/32"	1 19/32"
750-14-12-14	7/8"	3/4"	1 15/16"	1 5/8"
750-16-16-16	1"	1"	2 7/32"	1 31/32"
750-20-20-20	1 1/4"	1 1/4"	1 19/32"	2 3/8"
750-24-24-24	1 1/2"	1 1/2"	2 29/32"	2 5/8"
750-32-32-32	2"	2"	3 19/32"	3"

**PART NUMBERS INCLUDE BODY NUTS, SLEEVES, "O-RINGS" AND BACK-UP WASHERS**

### 800

**FEMALE RUN TEE • TUBE END -  
FEMALE PIPE END - TUBE SIDE OUTLET**

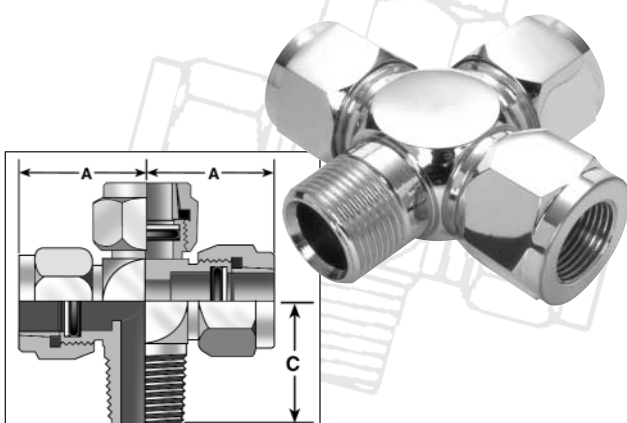


### 800 • Female Run Tee

Part No.	Tube O.D.	Female Pipe Thread	"A" (Tube Leg)	"C" (Female Pipe Leg)
800-2-2-2	1/8"	1/8"	27/32"	21/32"
800-4-2-4	1/4"	1/8"	1 1/16"	21/32"
800-5-2-5	5/16"	1/8"	1 1/32"	21/32"
800-6-4-6	3/8"	1/4"	1 1/4"	29/32"
800-6-2-6	3/8"	1/8"	1 1/8"	21/32"
800-8-6-8	1/2"	3/8"	1 17/32"	31/32"
800-8-8-8	1/2"	1/2"	1 19/32"	1 1/4"
800-10-8-10	5/8"	1/2"	1 23/32"	1 1/4"
800-12-12-12	3/4"	3/4"	1 31/32"	1 11/32"
800-14-12-14	7/8"	3/4"	2"	1 11/32"
800-16-16-16	1"	1"	2 11/32"	1 5/8"
800-20-20-20	1 1/4"	1 1/4"	2 25/32"	1 11/16"
800-24-24-24	1 1/2"	1 1/2"	3 3/32"	2 1/16"
800-32-32-32	2"	2"	3 25/32"	2 3/8"

### 810

**MALE CROSS • TUBE END - TUBE END -  
TUBE END - MALE PIPE END**



### 810 • Male Cross

Part No.	Tube O.D.	Male Pipe Thread	"A" (Tube Leg)	"C" (Male Pipe Leg)
810-4-4-4-2	1/4"	1/8"	1"	25/32"
810-5-5-5-2	5/16"	1/8"	1 1/32"	25/32"
810-6-6-6-4	3/8"	1/4"	1 1/8"	13/32"
810-8-8-8-6	1/2"	3/8"	1 15/32"	17/32"
810-10-10-10-8	5/8"	1/2"	1 21/32"	1 15/32"
810-12-12-12-12	3/4"	3/4"	1 27/32"	1 19/32"
810-14-14-14-12	7/8"	3/4"	1 15/16"	1 5/8"
810-16-16-16-16	1"	1"	2 7/32"	1 31/32"
810-20-20-20-20	1 1/4"	1 1/4"	2 19/32"	2 3/8"
810-24-24-24-24	1 1/2"	1 1/2"	2 29/32"	2 5/8"
810-32-32-32-32	2"	2"	3 19/32"	3"



# "O-RING SEAL"

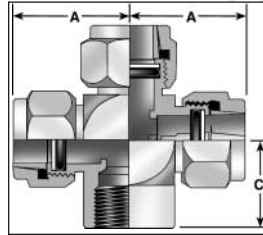
T A P E R E D P I P E T H R E A D

"O-RING SEAL"

## 820 • Female Cross

Part No.	Tube O.D.	Female Pipe Thread	"A" (Tube Leg)	"C" Female Pipe Leg
820-4-4-4-2	1/4"	1/8"	1 1/16"	2 1/32"
820-5-5-5-2	5/16"	1/8"	1 1/32"	2 1/32"
820-6-6-6-4	3/8"	1/4"	1 1/4"	2 9/32"
820-8-8-8-6	1/2"	3/8"	1 17/32"	3 1/32"
820-10-10-10-8	5/8"	1/2"	1 23/32"	1 1/4"
820-12-12-12-12	3/4"	3/4"	1 31/32"	1 11/32"
820-14-14-14-12	7/8"	3/4"	2"	1 11/32"
820-16-16-16-16	1"	1"	2 11/32"	1 5/8"
820-20-20-20-20	1 1/4"	1 1/4"	2 25/32"	1 11/16"
820-24-24-24-24	1 1/2"	1 1/2"	3 3/32"	2 1/16"
820-32-32-32-32	2"	2"	3 25/32"	2 3/8"

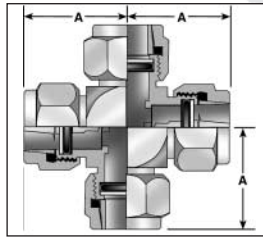
## 820 FEMALE CROSS • TUBE END - TUBE END - TUBE END - FEMALE PIPE END



## 850 • Tube Cross

Part No.	Tube O.D.	"A" (Tube Leg)
850-4	1/4"	1"
850-5	5/16"	1 1/32"
850-6	3/8"	1 1/8"
850-8	1/2"	1 15/32"
850-10	5/8"	1 21/32"
850-12	3/4"	1 27/32"
850-14	7/8"	1 15/16"
850-16	1"	2 7/32"
850-20	1 1/4"	2 19/32"
850-24	1 1/2"	2 29/32"
850-32	2"	3 19/32"

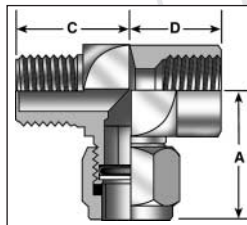
## 850 TUBE CROSS TUBE END - ALL OPENINGS



## 860 • Gauge Tee

Part No.	Tube O.D.	Male & Female Pipe Thread	"A" (Tube Leg)	"C" (Male Pipe Leg)	"D" Female Pipe Leg
860-4-2-2	1/4"	1/8"	1 1/16"	2 5/32"	2 1/32"
860-6-4-4	3/8"	1/4"	1 1/4"	1 3/32"	2 9/32"
860-8-6-6	1/2"	3/8"	1 17/32"	1 7/32"	3 1/32"
860-10-8-8	5/8"	1/2"	1 23/32"	1 15/32"	1 1/4"
860-12-12-12	3/4"	3/4"	1 31/32"	1 15/32"	1 11/32"
860-14-12-12	7/8"	3/4"	2"	1 5/8"	1 11/32"
860-16-16-16	1"	1"	2 11/32"	1 31/32"	1 5/8"

## 860 GAUGE TEE • FEMALE PIPE END - MALE PIPE END - TUBE SIDE OUTLET

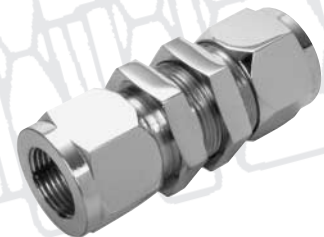
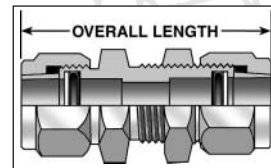


Particularly suited for gauge & air bleeder valve connections

## 900 • Bulkhead Union

Part No.	Tube O.D.	Bulkhead Hole Dia.	Overall Length
900-4-4	1/4"	17/32"	2 7/16"
900-5-5	5/16"	19/32"	2 7/16"
900-6-6	3/8"	2 1/32"	2 5/8"
900-8-8	1/2"	2 9/32"	3 5/32"
900-10-10	5/8"	1 1/32"	3 1/2"
900-10-8	5/8" to 1/2" BH	2 9/32"	3 9/32"
900-12-12	3/4"	1 5/32"	3 13/16"
900-14-14	7/8"	1 9/32"	3 7/8"
900-16-16	1"	1 17/32"	4 1/8"
900-20-20	1 1/4"	1 25/32"	4 5/8"
900-20-16	1 1/4" to 1" BH	1 17/32"	4 13/32"
900-24-24	1 1/2"	2 1/32"	4 7/8"
900-32-32	2"	2 21/32"	5 3/4"

## 900 BULKHEAD UNION • TUBE BOTH ENDS



Maximum Bulkhead Thickness 1/2"

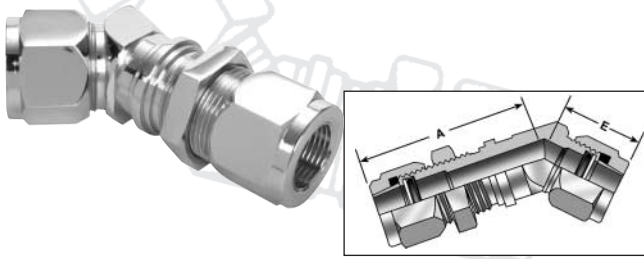
### Stainless Steel Tubing

Lenz O-ring Seal tube fitting performs equally well on stainless steel tubing as with carbon steel tubing, but requires the use of stainless steel sleeves (#165-xxSS) and stainless steel buffer washers (#195-xx-SS), even when used with steel fittings. Example, when ordering: 100-12-12 with ss sleeves. When Ordering Lenz Fittings in all Stainless Steel Add SS To The Part Number. Example: 100-12-12-SS

# "O-RING SEAL"

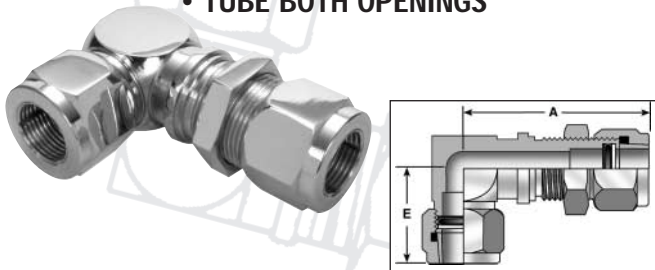
## TAPERED PIPE THREAD

### 940 BULKHEAD 45° UNION ELBOW TUBE BOTH OPENINGS



Max. Bulkhead Thickness 1/2"

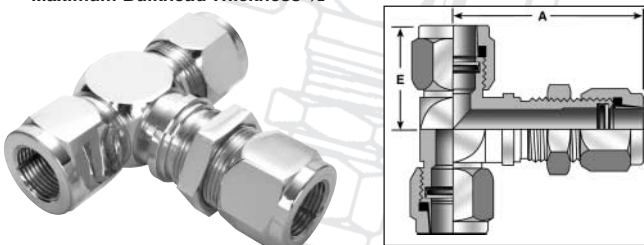
### 950 BULKHEAD UNION ELBOW • TUBE BOTH OPENINGS



Max. Bulkhead Thickness 1/2"

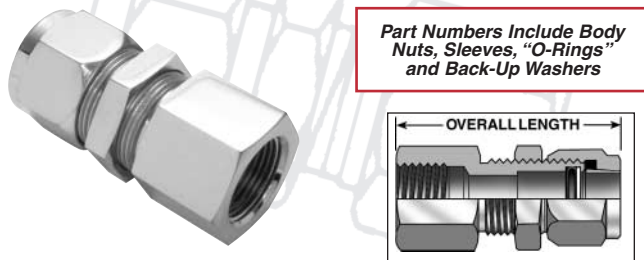
### 960 BULKHEAD TEE TUBE END ALL OPENINGS

Maximum Bulkhead Thickness 1/2"



Example of Part No.: 960-12 for 3/4" O.D. Tubing

### 980 FEMALE BULKHEAD TUBE END TO FEMALE PIPE END



Maximum Bulkhead Thickness 1/2"

Part Numbers Include Body Nuts, Sleeves, "O-Rings" and Back-Up Washers

### 940 • Bulkhead 45° Union Elbow

Part No.	Tube O.D.	Blkhed. Hole Dia.	"A" (Blkhed. Leg)	"E" (Tube Leg)
940-4	1/4"	17/32"	21/8"	29/32"
940-5	5/16"	19/32"	25/32"	7/8"
940-6	3/8"	21/32"	29/32"	1"
940-8	1/2"	29/32"	219/32"	17/32"
940-10	5/8"	11/32"	227/32"	17/16"
940-12	3/4"	15/32"	33/32"	119/32"
940-16	1"	117/32"	39/32"	113/16"
940-20	1 1/4"	125/32"	323/32"	27/32"

### 950 • Bulkhead Union Elbow

Part No.	Tube O.D.	Blkhed. Hole Dia.	"A" (Blkhed. Leg)	"E" (Tube Leg)
950-4	1/4"	17/32"	25/32"	1"
950-5	5/16"	19/32"	27/32"	11/32"
950-6	3/8"	21/32"	213/32"	11/8"
950-8	1/2"	29/32"	23/4"	115/32"
950-10	5/8"	11/32"	33/32"	121/32"
950-12	3/4"	15/32"	311/32"	127/32"
950-14	7/8"	19/32"	37/16"	115/16"
950-16	1"	117/32"	33/4"	27/32"
950-20	1 1/4"	125/32"	43/16"	219/32"
950-24	1 1/2"	21/32"	415/32"	229/32"

### 960 • Bulkhead Tee

Part No.	Tube O.D.	Blkhed. Hole Dia.	"A" (Blkhed. Leg)	"E" (Tube Leg)
960-4	1/4"	17/32"	25/32"	1"
960-5	5/16"	19/32"	27/32"	11/32"
960-6	3/8"	21/32"	213/32"	11/8"
960-8	1/2"	29/32"	23/4"	115/32"
960-10	5/8"	11/32"	33/32"	121/32"
960-12	3/4"	15/32"	311/32"	127/32"
960-16	1"	117/32"	33/4"	27/32"
960-20	1 1/4"	125/32"	43/16"	219/32"

### 980 • Female Bulkhead Connector

Part No.	Tube O.D.	Blkhed. Hole Dia.	Female Pipe Thread	Overall Length
980-4-2	1/4"	17/32"	1/8"	23/32"
980-4-4	1/4"	17/32"	1/4"	21/4"
980-5-2	5/16"	19/32"	1/8"	23/32"
980-6-4	3/8"	21/32"	1/4"	23/8"
980-6-6	3/8"	21/32"	3/8"	23/8"
980-8-6	1/2"	29/32"	3/8"	211/16"
980-8-8	1/2"	29/32"	1/2"	27/8"
980-10-8	5/8"	11/32"	1/2"	31/32"
980-12-12	3/4"	15/32"	3/4"	39/32"
980-14-12	7/8"	19/32"	3/4"	35/16"
980-16-16	1"	117/32"	1"	311/16"
980-20-20	1 1/4"	125/32"	1 1/4"	315/16"
980-24-24	1 1/2"	21/32"	1 1/2"	41/16"
980-32-32	2"	221/32"	2"	417/32"

Note: When Ordering Lenz Fittings In Stainless Steel Add -SS To The Part Number. Example: 100-12SS

#### Stainless Steel Tubing

Lenz O-ring Seal tube fitting performs equally well on stainless steel tubing as with carbon steel tubing, but requires the use of stainless steel sleeves (#165-xxSS) and stainless steel buffer washers (#195-xx-SS), even when used with steel fittings. Example, when ordering: 100-12-12 with ss sleeves. When Ordering Lenz Fittings in all Stainless Steel Add SS To The Part Number. Example: 100-12-12-SS

# "O-RING SEAL"

T A P E R E D P I P E T H R E A D

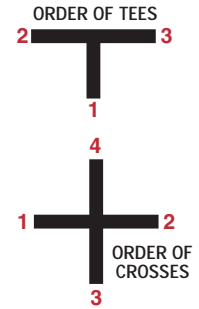
"O-RING SEAL"

## LENZ SPECIAL SHAPES

**How To Order-Bodies Only:** Change the last number of part number from 0 to 5. Example: 760 Assembly becomes 765 Cross Body.

**Crosses**-Indicate part number followed by the tube end size FIRST then the other ends in the order shown in the diagram.

**Tees**-Indicate part number, specify size of tube end FIRST, opposite end SECOND and side outlet THIRD. If there are two tube outlets, specify largest size FIRST. If both female and male outlet on the run, show female size FIRST. This would apply to our 860 tees.

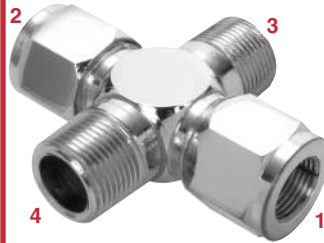


**Note:** When Ordering Lenz Fittings In Stainless Steel Add-SS To The Part Number. Example: 100-12SS

The Lenz Special Shapes shown here are available in standard and special sizes. Only items priced in current supplementary price list are carried in stock. Price and delivery on non-stocked items furnished on request and will depend on the quantity ordered. No quantity is too small for us to handle. We invite your inquiries. See pages 30 and 31 for size and information on fitting outlets.

**All Lenz Fittings Conform to J.I.C. Hydraulic Standards**

**760 • Cross**  
Tube End-Tube End-  
Male Pipe End-  
Male Pipe End



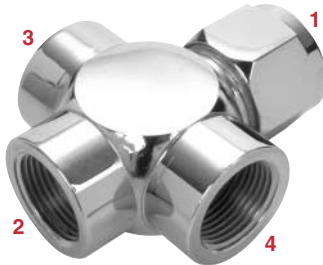
**770 • Cross**  
Tube End-Tube End-  
Female Pipe End-  
Female Pipe End



**780 • Cross**  
Tube End-Male Pipe End-  
Male Pipe End-  
Male Pipe End



**790 • Cross**  
Tube End-Female Pipe End-  
Female Pipe End-  
Female Pipe End



**870 • Tee**  
Male Pipe End-  
Male Pipe End-  
Tube Side Outlet



**880 • Tee**  
Tube End-  
Female Pipe End-  
Male Pipe Side Outlet



**890 • Tee**  
Tube End-  
Male Pipe End-  
Male Pipe Side Outlet



**910 • Tee**  
Tube End-  
Male Pipe End-  
Female Pipe Side Outlet



**920 • Tee**  
Female Pipe End-  
Female Pipe End-  
Tube Side Outlet



**930 • Tee**  
Tube End-  
Female Pipe End-  
Female Pipe Side Outlet



**990 • Male Bulkhead**  
Tube End-  
Male Pipe End



Maximum Bulkhead Thickness 1/2"

**Note:** Only items in current supplementary price list are carried in stock. Price and delivery of non-stock items furnished on request and will depend on quantity ordered.

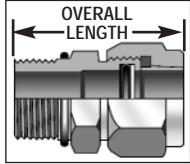
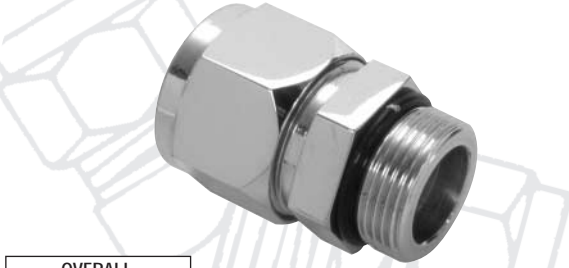
LENZ • P.O. BOX 1044 • DAYTON, OHIO 45401-1044 • PHONE: 937/277-9364 • FAX: 937/277-6516  
OFFICE & FACTORY • 3301 KLEPINGER ROAD • DAYTON, OHIO 45406-1842  
INTERNET: <http://www.lenzinc.com>



# "O-RING SEAL"

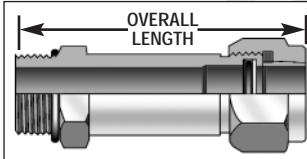
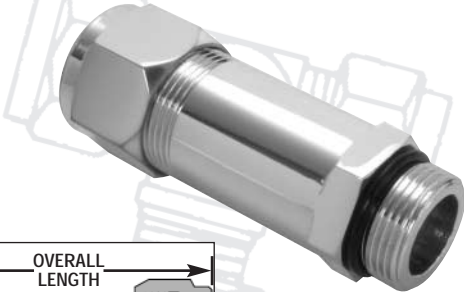
## S T R A I G H T T H R E A D S

### A-100 MALE CONNECTOR • TUBE END- S.A.E. STRAIGHT THREAD END



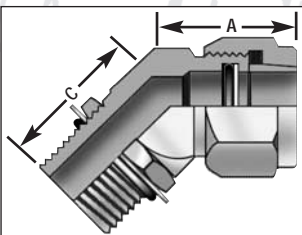
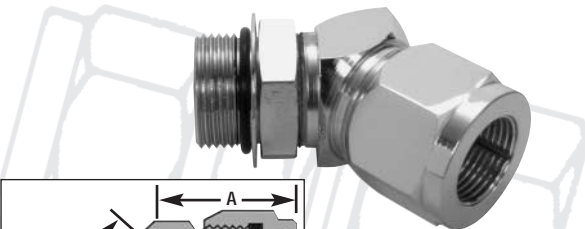
*Part Numbers  
Include Body  
Nuts, Sleeves,  
"O-Rings" And  
Back-Up Washers*

### A-100-L LONG MALE CONNECTOR • TUBE END S.A.E. STRAIGHT THREAD END



*\*Fittings with Tube Diameter Bored Through*

### A-350 MALE 45° ELBOW TUBE END S.A.E. STRAIGHT THREAD END



#### A-100 • Male Connector

Part No.	Tube O.D.	Straight Thread	Overall Length
A100-2-2*	1/8"	5/16"-24	1 1/32"
A100-4-4	1/4"	7/16"-20	1 9/32"
A100-4-5*	1/4"	1/2"-20	1 9/32"
A100-4-6*	1/4"	9/16"-18	1 11/32"
A100-5-5	5/16"	1/2"-20	1 9/32"
A100-6-6	3/8"	9/16"-18	1 13/32"
A100-6-8*	3/8"	3/4"-16	1 15/32"
A100-8-8	1/2"	3/4"-16	1 11/16"
A100-8-6	1/2"	9/16"-18	1 21/32"
A100-8-10*	1/2"	7/8"-14	1 25/32"
A100-8-12*	1/2"	1 1/16"-12	1 15/16"
A100-10-10	5/8"	7/8"-14	1 15/16"
A100-10-8	5/8"	3/4"-16	1 7/8"
A100-10-12*	5/8"	1 1/16"-12	2 3/32"
A100-12-12	3/4"	1 1/16"-12	2 7/32"
A100-12-8	3/4"	3/4"-16	2"
A100-12-10	3/4"	7/8"-14	2 1/8"
A100-12-14*	3/4"	1 3/16"-12	2 7/32"
A100-12-16*	3/4"	1 5/16"-12	2 7/32"
A100-14-14	7/8"	1 3/16"-12	2 1/4"
A100-14-16*	7/8"	1 5/16"-12	2 1/4"
A100-16-16	1"	1 5/16"-12	2 3/8"
A100-16-12	1"	1 1/16"-12	2 3/8"
A100-16-20*	1"	1 5/8"-12	2 3/8"
A100-20-20	1 1/4"	1 5/8"-12	2 5/8"
A100-20-16	1 1/4"	1 5/16"-12	2 11/16"
A100-20-24*	1 1/4"	1 7/8"-12	2 5/8"
A100-24-24	1 1/2"	1 7/8"-12	2 3/4"
A100-24-20	1 1/2"	1 5/8"-12	2 25/32"
A100-32-32	2"	2 1/2"-12	3 5/32"

#### A-100L • Long Male Connector

Part No.	Tube O.D.	Straight Thread	Overall Length
A100L-2-2	1/8"	5/16"-24	2 1/32"
A100L-4-4	1/4"	7/16"-20	2 1/4"
A100L-5-5	5/16"	1/2"-20	2 5/16"
A100L-6-6	3/8"	9/16"-18	2 19/32"
A100L-8-8	1/2"	3/4"-16	3 1/32"
A100L-10-10	5/8"	7/8"-14	3 15/32"
A100L-12-12	3/4"	1 1/16"-12	4 1/32"
A100L-14-14	7/8"	1 3/16"-12	4 7/32"
A100L-16-16	1"	1 5/16"-12	4 15/32"
A100L-20-20	1 1/4"	1 5/8"-12	5 7/32"
A100L-24-24	1 1/2"	1 7/8"-12	5 3/4"
A100L-32-32	2"	2 1/2"-12	6 31/32"

#### A-350 • Male 45° Elbow

Part No.	Tube O.D.	Straight Thread	"A" (Tube Leg)	"C" (Straight Thread Leg)
A350-4	1/4"	7/16"-20	29/32"	1 1/32"
A350-5	5/16"	1/2"-20	7/8"	1 1/32"
A350-6	3/8"	9/16"-18	1"	1 3/32"
A350-8	1/2"	3/4"-16	1 3/16"	1 9/32"
A350-10	5/8"	7/8"-14	1 7/16"	1 1/2"
A350-12	3/4"	1 1/16"-12	1 19/32"	1 23/32"
A350-14	7/8"	1 3/16"-12	1 17/32"	1 25/32"
A350-16	1"	1 5/16"-12	1 13/16"	1 27/32"
A350-20	1 1/4"	1 5/8"-12	2 7/32"	1 7/8"
A350-24	1 1/2"	1 7/8"-12	2 13/32"	1 7/8"
A350-32	2"	2 1/2"-12	2 15/16"	1 7/8"

#### Stainless Steel Tubing

Lenz O-ring Seal tube fitting performs equally well on stainless steel tubing as with carbon steel tubing, but requires the use of stainless steel sleeves (#165-xxSS) and stainless steel buffer washers (#195-xx-SS), even when used with steel fittings. Example, when ordering: 100-12-12 with ss sleeves. When Ordering Lenz Fittings in all Stainless Steel Add SS To The Part Number. Example: 100-12-12-SS

# "O-RING SEAL"

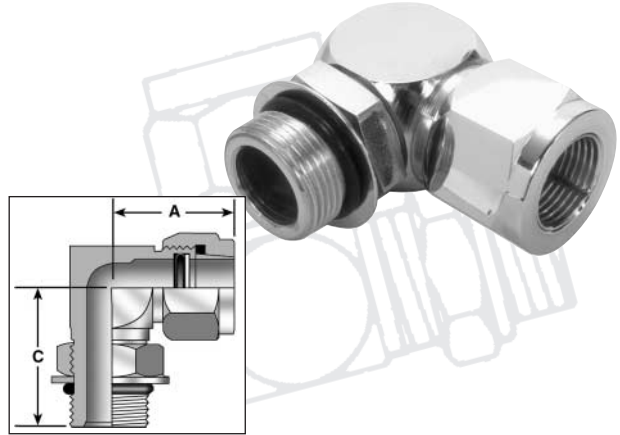
S T R A I G H T T H R E A D S

"O-RING SEAL"

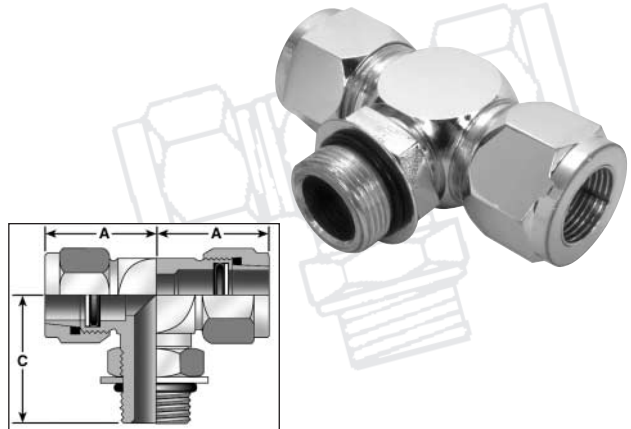
## A-400 • Male Elbow

Part No.	Tube O.D.	Straight Thread	"A" (Tube Leg)	"C" (Straight Thread Leg)
A400-4-4	1/4"	7/16"-20	1"	1 1/64"
A400-4-6	1/4"	9/16"-18	1 1/16"	1 15/64"
A400-5-5	5/16"	1/2"-20	1 1/32"	1 5/64"
A400-6-6	3/8"	9/16"-18	1 1/8"	1 15/64"
A400-6-8	3/8"	3/4"-16	1 9/16"	1 7/16"
A400-8-8	1/2"	3/4"-16	1 15/32"	1 7/16"
A400-8-6	1/2"	9/16"-18	1 15/32"	1 23/64"
A400-8-10	1/2"	7/8"-14	1 15/32"	1 21/32"
A400-10-10	5/8"	7/8"-14	1 21/32"	1 11/16"
A400-10-8	5/8"	3/4"-16	1 21/32"	1 1/2"
A400-10-12	5/8"	1 1/16"-12	1 23/32"	1 59/64"
A400-12-12	3/4"	1 1/16"-12	1 27/32"	1 59/64"
A400-12-8	3/4"	3/4"-16	1 27/32"	1 9/16"
A400-12-10	3/4"	7/8"-14	1 27/32"	1 25/32"
A400-12-16	3/4"	1 5/16"-12	2 1/16"	2 1/32"
A400-14-14	7/8"	1 3/16"-12	1 15/16"	1 63/64"
A400-16-16	1"	1 5/16"-12	2 7/32"	2 1/32"
A400-16-12	1"	1 1/16"-12	2 7/32"	2 3/32"
A400-16-20	1"	1 5/8"-12	2 11/32"	2 15/64"
A400-20-20	1 1/4"	1 5/8"-12	2 19/32"	2 15/64"
A400-20-16	1 1/4"	1 5/16"-12	2 19/32"	2 5/32"
A400-20-24	1 1/4"	1 7/8"-12	2 23/32"	2 3/8"
A400-24-24	1 1/2"	1 7/8"-12	2 29/32"	2 3/8"
A400-32-32	2"	2 1/2"-12	3 19/32"	2 7/8"

## A-400 MALE ELBOW • TUBE END S.A.E. STRAIGHT THREAD END



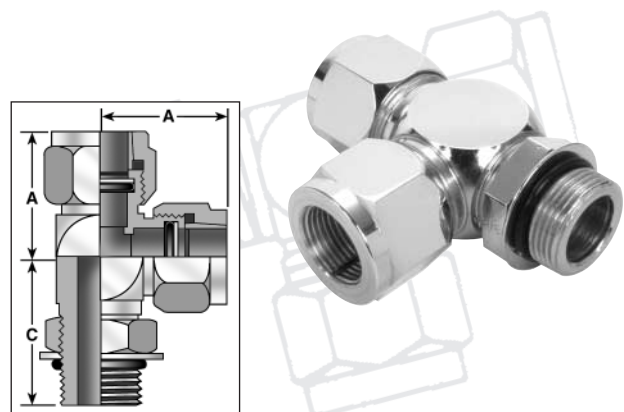
## A-600 MALE BRANCH TEE - TUBE END-TUBE END- S.A.E. STRAIGHT THREAD SIDE OUTLET



## A-600 • Male Branch Tee

Part No.	Tube O.D.	Straight Thread	"A" (Tube Leg)	"C" (Straight Thread Leg)
A600-4	1/4"	7/16"-20	1"	1 1/64"
A600-5	5/16"	1/2"-20	1 1/32"	1 5/64"
A600-6	3/8"	9/16"-18	1 1/8"	1 15/64"
A600-8	1/2"	3/4"-16	1 15/32"	1 7/16"
A600-10	5/8"	7/8"-14	1 21/32"	1 11/16"
A600-12	3/4"	1 1/16"-12	1 27/32"	1 59/64"
A600-14	7/8"	1 3/16"-12	1 15/16"	1 63/64"
A600-16	1"	1 5/16"-12	2 7/32"	2 1/32"
A600-20	1 1/4"	1 5/8"-12	2 19/32"	2 15/64"
A600-24	1 1/2"	1 7/8"-12	2 29/32"	2 3/8"
A600-32	2"	2 1/2"-12	3 19/32"	2 7/8"

## A-750 MALE RUN TEE • TUBE END - S.A.E. STRAIGHT THREAD END-TUBE SIDE OUTLET



## A-750 • Male Run Tee

Part No.	Tube O.D.	Straight Thread	"A" (Tube Leg)	"C" (Straight Thread Leg)
A750-4	1/4"	7/16"-20	1"	1 1/64"
A750-5	5/16"	1/2"-20	1 1/32"	1 5/64"
A750-6	3/8"	9/16"-18	1 1/8"	1 15/64"
A750-8	1/2"	3/4"-16	1 15/32"	1 7/16"
A750-10	5/8"	7/8"-14	1 21/32"	1 11/16"
A750-12	3/4"	1 1/16"-12	1 27/32"	1 59/64"
A750-14	7/8"	1 3/16"-12	1 15/16"	1 63/64"
A750-16	1"	1 5/16"-12	2 7/32"	2 1/32"
A750-20	1 1/4"	1 5/8"-12	2 19/32"	2 15/64"
A750-24	1 1/2"	1 7/8"-12	2 29/32"	2 3/8"
A750-32	2"	2 1/2"-12	3 19/32"	2 7/8"

# "O-RING SEAL"

## S T R A I G H T T H R E A D S

### COMPONENTS FOR "O-RING SEAL" FITTINGS

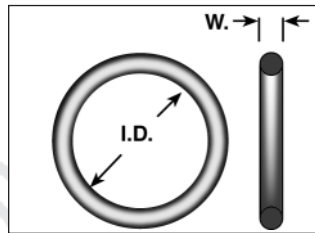
**Lenz Standard 185 "O-Rings"** are supplied with all Lenz "O-Ring Seal" fittings unless otherwise specified. They are of Buna N Base Compound for use with Hydraulic Fluids, Lubricating Oils, Mil-O-5606, Ucon, Hydrolube, Mercury, Brine, Water, Glycol, Anti-Freeze Mixtures, Alcohol, Nyvac 20 & 30, Gasoline, Houghton Safe 600 Series and Air. Temperature range of Buna "N" is -40° F to +250° F, Viton "A" from -20° F to +400° F.

**Lenz 185-L "O-Rings"** are of Ethylene Propylene for use in phosphate base ester fluids such as Lyndol, Pydraul, Skydrol, Cellulube 90, 150, 300, 550 and 1000. Nyvac-Extra Heavy, Nyvac A, Houghton Safe 1000 Series. Oxygen and Acetone. Temperature range -65° F to +300° F.

### 185 O-RING FOR LENZ "O-RING SEAL" TUBE ENDS

"O-Ring" Compounds, such as Viton (185V) and (185T) and Teflon are available for fluids not listed.

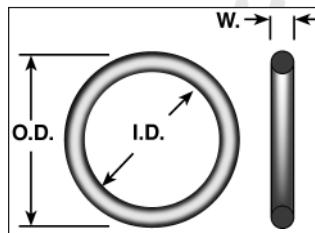
185 "O-Ring" For Lenz "O-Ring Seal" Tube Ends



### A-185 "O-RINGS" FOR MALE S.A.E. STRAIGHT TH'D FITTING ENDS

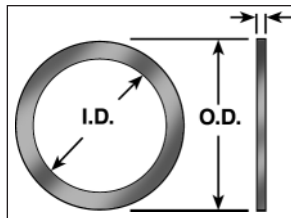
Lenz A-185 and A-185L "O-Rings" are for Straight Thread Fittings and have the same applications as 185 and 185-L as listed above.

A-185 & A-185L "O-Rings"



### 175 ANTI-EXTRUSION TEFLON BACK-UP WASHERS

In the exclusive, patented design of Lenz "O-Ring Seal" Tube fittings, the Teflon Back-Up Washer prevents extrusion of the O-Ring and adds to the performance and service of the fittings. See page vii of this catalog for proper installation of these washers.



### 185 • O-Ring for Lenz "O-Ring Seal" Tube Ends

Part No.	Tube O.D.	Nominal Dimensions		
		O.D.	I.D.	Width
185-2	1/8"	1/4"	1/8"	1/16"
185-4	1/4"	3/8"	1/4"	1/16"
185-5	5/16"	7/16"	5/16"	1/16"
185-6	3/8"	1/2"	3/8"	1/16"
185-8	1/2"	11/16"	1/2"	3/32"
185-10	5/8"	13/16"	5/8"	3/32"
185-12	3/4"	15/16"	3/4"	3/32"
185-14	7/8"	1 1/16"	7/8"	3/32"
185-16	1"	1 1/4"	1"	1/8"
185-20	1 1/4"	1 1/2"	1 1/4"	1/8"
185-24	1 1/2"	1 3/4"	1 1/2"	1/8"
185-32	2"	2 1/4"	2"	1/8"

Note: Add "L" To Above Part Numbers For 185-L "O-Rings"

### A-185 • "O-Rings" For Male S.A.E. Straight Th'D Fitting Ends

Part No.	Tube O.D.	Nominal Dimensions		Straight Thread
		I.D.	Width	
A185-2	1/8"	.239"	.064"	5/16"-24
A185-4	1/4"	.351"	.072"	7/16"-20
A185-5	5/16"	.414"	.072"	1/2"-20
A185-6	3/8"	.468"	.078"	9/16"-18
A185-8	1/2"	.644"	.087"	3/4"-16
A185-10	5/8"	.755"	.097"	7/8"-14
A185-12	3/4"	.924"	.116"	1 1/16"-12
A185-14	7/8"	1.048"	.116"	1 3/16"-12
A185-16	1"	1.171"	.116"	1 5/16"-12
A185-20	1 1/4"	1.475"	.118"	1 5/8"-12
A185-24	1 1/2"	1.720"	.118"	1 7/8"-12
A185-32	2"	2.337"	.118"	2 1/2"-12

Note: Add "L" To Above Part Numbers For 185-L "O-Rings"

### 175 • Anti-Extrusion Teflon Back-Up Washers

Part No.	Tube O.D.	I.D.	O.D.	Width
175-6	3/8"	3/8"	1/2"	1/32"
175-8	1/2"	1/2"	1 1/16"	1/32"
175-10	5/8"	5/8"	13/16"	1/32"
175-12	3/4"	3/4"	15/16"	1/32"
175-14	7/8"	7/8"	1 1/16"	1/32"
175-16	1"	1"	1 1/4"	1/32"
175-20	1 1/4"	1 1/4"	1 1/2"	1/32"
175-24	1 1/2"	1 1/2"	1 3/4"	1/32"
175-32	2"	2"	2 1/4"	1/32"



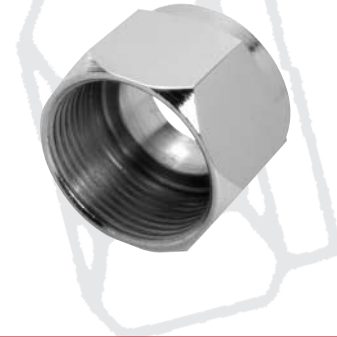
# "O-RING SEAL"

COMPONENTS & ACCESSORIES

## 205 • Tube Nut Used With 165 Sleeve

Part No.	Tube O.D.	Thread Size	Hex Size	Overall Length
205-2	1/8"	3/8"-24	1/2"	15/32"
205-4	1/4"	1/2"-20	5/8"	41/64"
205-5	5/16"	9/16"-18	11/16"	41/64"
205-6	3/8"	5/8"-18	3/4"	11/16"
205-8	1/2"	7/8"-14	1"	29/32"
205-10	5/8"	1"-14	1 1/8"	1"
205-12	3/4"	1 1/8"-12	1 1/4"	13/32"
205-14	7/8"	1 1/4"-12	1 3/8"	1 1/8"
205-16	1"	1 1/2"-12	1 5/8"	1 1/4"
205-20	1 1/4"	1 3/4"-12	2"	17/16"
205-24	1 1/2"	2"-12	2 1/4"	1 5/8"
205-32	2"	2 5/8"-12	3"	2 1/32"

## 205 TUBE NUT USED WITH 165 SLEEVE



## 165 • Split Ring Used With 205 Nut

Part No.	Tube O.D.	Length
165-2	1/8"	1/4"
165-4	1/4"	5/16"
165-5	5/16"	5/16"
165-6	3/8"	5/16"
165-8*	1/2"	15/32"
165-10*	5/8"	17/32"
165-12*	3/4"	9/16"
165-14*	7/8"	19/32"
165-16*	1"	21/32"
165-20*	1 1/4"	25/32"
165-24*	1 1/2"	29/32"
165-32*	2"	1 1/8"

## 165 SPLIT RING USED WITH 205 NUT *\*Sleeves having flange at large end*



*Specify Stainless Sleeves when using Stainless Tubing.*

## 208 • Lenz "O-Ring" Bulkhead Lock Nut

Part No.	Tube O.D.	Thread Size	Hex Size	Overall Length
208-4	1/4"	1/2"-20	3/4"	1/4"
208-5	5/16"	9/16"-18	13/16"	17/64"
208-6	3/8"	5/8"-18	7/8"	9/32"
208-8	1/2"	7/8"-14	1 1/8"	23/64"
208-10	5/8"	1"-14	1 1/4"	3/8"
208-12	3/4"	1 1/8"-12	1 3/8"	13/32"
208-14	7/8"	1 1/4"-12	1 1/2"	13/32"
208-16	1"	1 1/2"-12	1 3/4"	13/32"
208-20	1 1/4"	1 3/4"-12	2"	13/32"
208-24	1 1/2"	2"-12	2 1/4"	13/32"
208-32	2"	2 5/8"-12	2 7/8"	13/32"

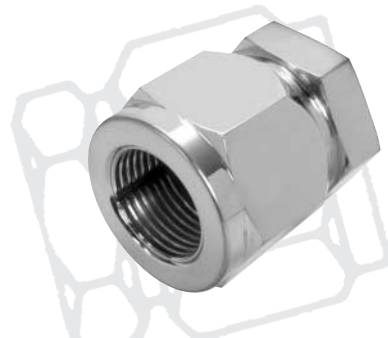
## 208 LENZ "O-RING" BULKHEAD LOCK NUT



## 100C • Tube Cap Used To Cap Tubing

Part No.	Tube O.D.	Length
100C-4	1/4"	15/16"
100C-5	5/16"	15/16"
100C-6	3/8"	1 1/32"
100C-8	1/2"	15/16"
100C-10	5/8"	17/16"
100C-12	3/4"	1 19/32"
100C-14	7/8"	1 21/32"
100C-16	1"	1 13/16"
100C-20	1 1/4"	2 3/32"
100C-24	1 1/2"	2 5/16"
100C-32	2"	2 25/32"

## 100C TUBE CAP USED TO CAP TUBING



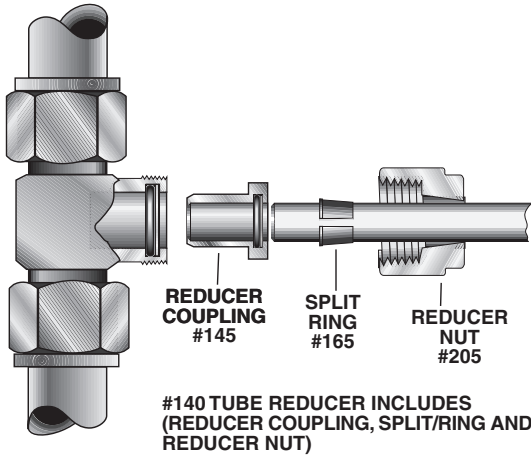
*Note: When Ordering Lenz Fittings In Stainless Steel Add -SS To The Part Number. Example: 100-12-12SS*

LENZ • P.O. BOX 1044 • DAYTON, OHIO 45401-1044 • PHONE: 937/277-9364 • FAX: 937/277-6516  
OFFICE & FACTORY • 3301 KLEPINGER ROAD • DAYTON, OHIO 45406-1842  
INTERNET: <http://www.lenzinc.com>

# "O-RING SEAL"

COMPONENTS & ACCESSORIES

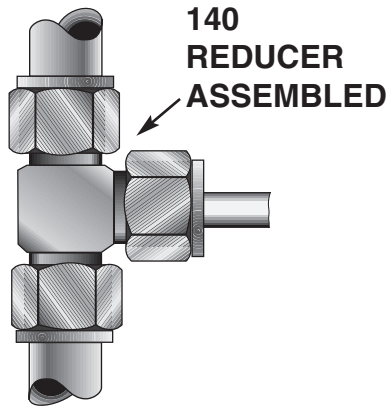
## 140 "O-RING SEAL" TUBE REDUCER ADAPTERS



**Compact!  
Saves Time! Simplifies  
Systems! Eliminates  
Large Inventories Of  
Special Fittings**

The Lenz exclusive Tube Reducer Adapter makes possible line reductions on any leg by the use of standard adapters and adapter nuts.

Note: When reducer is ordered as part of a fitting, credit will be given for the standard nut and tube sleeve which are replaced by the reducer nut and reducer tube sleeve.



## 140 • "O-RING SEAL" TUBE REDUCER ADAPTERS

Part No.	Tube End Reduction	Nut Hex	Increase In Fitting Length
140-6-4	3/8"-1/4"	3/4"	9/32"
140-6-5	3/8"-5/16"	3/4"	9/32"
140-8-4	1/2"-1/4"	1"	No Change
140-8-5	1/2"-5/16"	1"	3/16"
140-8-6	1/2"-3/8"	1"	3/16"
140-10-4	5/8"-1/4"	1 1/8"	1/16" Shorter
140-10-5	5/8"-5/16"	1 1/8"	1/16" Shorter
140-10-6	5/8"-3/8"	1 1/8"	1/16" Shorter
140-10-8	5/8"-1/2"	1 1/8"	5/16"
140-12-4	3/4"-1/4"	1 1/4"	1/16" Shorter
140-12-5	3/4"-5/16"	1 1/4"	1/16" Shorter
140-12-6	3/4"-3/8"	1 1/4"	1/16" Shorter
140-12-8	3/4"-1/2"	1 1/4"	9/32"
140-12-10	3/4"-5/8"	1 1/4"	11/32"
140-14-6	7/8"-3/8"	1 3/8"	3/32" Shorter
140-14-8	7/8"-1/2"	1 3/8"	1/32"
140-14-10	7/8"-5/8"	1 3/8"	5/16"
140-14-12	7/8"-3/4"	1 3/8"	11/32"
140-16-6	1"-3/8"	1 5/8"	3/16" Shorter
140-16-8	1"-1/2"	1 5/8"	1/16" Shorter
140-16-10	1"-5/8"	1 5/8"	No Change
140-16-12	1"-3/4"	1 5/8"	1/4"
140-16-14	1"-7/8"	1 5/8"	9/32"
140-20-6	1 1/4"-3/8"	2"	5/16" Shorter
140-20-8	1 1/4"-1/2"	2"	3/16" Shorter
140-20-10	1 1/4"-5/8"	2"	1/8" Shorter
140-20-12	1 1/4"-3/4"	2"	3/32" Shorter
140-20-14	1 1/4"-7/8"	2"	1/16" Shorter
140-20-16	1 1/4"-1"	2"	11/32"
140-24-8	1 1/2"-1/2"	2 1/4"	5/16" Shorter
140-24-10	1 1/2"-5/8"	2 1/4"	1/4" Shorter
140-24-12	1 1/2"-3/4"	2 1/4"	7/32" Shorter
140-24-14	1 1/2"-7/8"	2 1/4"	3/16" Shorter
140-24-16	1 1/2"-1"	2 1/4"	3/32" Shorter
140-24-20	1 1/2"-1 1/4"	2 1/4"	11/32"
140-32-8	2"-1/2"	3"	1/2" Shorter
140-32-10	2"-5/8"	3"	7/16" Shorter
140-32-12	2"-3/4"	3"	13/32" Shorter
140-32-14	2"-7/8"	3"	3/8" Shorter
140-32-16	2"-1"	3"	5/16" Shorter
140-32-20	2"-1 1/4"	3"	3/16" Shorter
140-32-24	2"-1 1/2"	3"	1/16" Shorter

## 205P PLUG TO PLUG O-RING FITTING END USED WITH 205 NUT



## 205P Plug • To Plug O-Ring Fitting End Used With 205 Nut

Part No.	Tube O.D.	Length
205P-2	1/8"	25/64"
205P-4	1/4"	1/2"
205P-5	5/16"	1/2"
205P-6	3/8"	9/16"
205P-8	1/2"	9/16"
205P-10	5/8"	9/16"
205P-12	3/4"	19/32"
205P-14	7/8"	19/32"
205P-16	1"	23/32"
205P-20	1 1/4"	23/32"
205P-24	1 1/2"	27/32"
205P-32	2"	7/8"

# TUBE FITTING

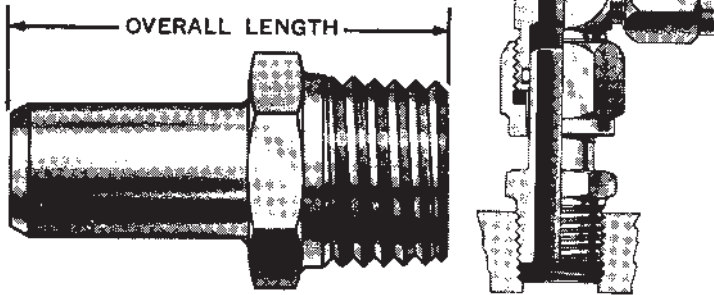
NIPPLES AND ADAPTERS

## TPN • Standard Sizes

Part No.	Tube O.D.	Male Pipe Thread	Overall Length
4TPN	1/4"	1/8"	15/8"
5TPN	5/16"	1/8"	15/8"
6TPN	3/8"	1/4"	129/32"
8TPN	1/2"	3/8"	25/32"
10TPN	5/8"	1/2"	27/16"
12TPN	3/4"	3/4"	29/16"
14TPN	7/8"	3/4"	29/16"
16TPN	1"	1"	215/16"
20TPN	1 1/4"	1 1/4"	39/32"
24TPN	1 1/2"	1 1/2"	35/8"
32TPN	2"	2"	47/32"

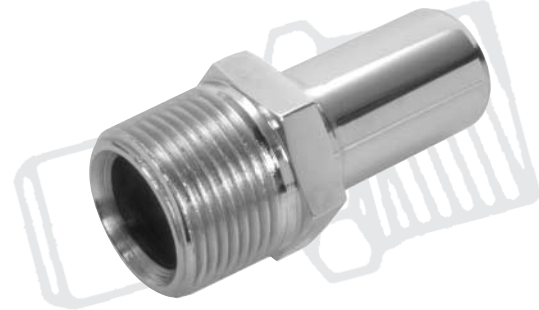
Other size combinations available.

TPN STD Length  
 TPN-L Long Length  
 TPN-LL X-Long  
 TPN-LLL X-L-Long



Lenz TPN's, TAN's and TFN's Permit Easy Positioning In Any Direction

## TPN TUBE-PIPE NIPPLES

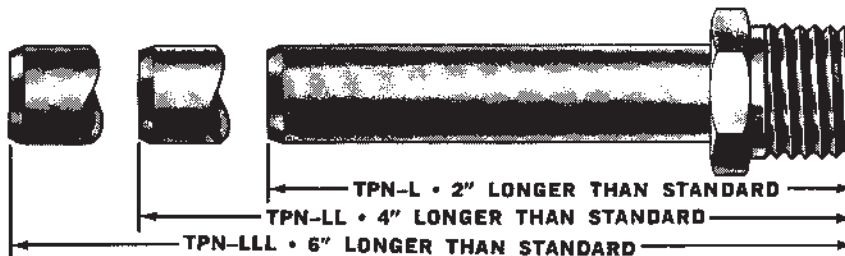


TPN's, TAN's and TFN's are used with elbows or tees for easy positioning in any desired direction including up and down. Shown to the left is a TPN with a 500 series elbow. For other practical uses of these fittings see page 35.

\*TAN and TFN Nipples are also available in Long, Extra Long and Extra Long-Long lengths on special order.

## LONG, EXTRA LONG & EXTRA LONG-LONG TPN

When ordering be certain to specify L, LL or LLL by adding to standard part numbers in table above. Refer to drawing shown below to determine your length requirements.

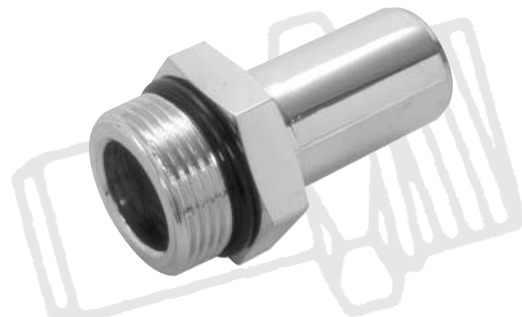


Example of L, LL, and LLL Part Numbers-  
 Where a 12TPN with an overall length of 6<sup>9</sup>/<sub>16</sub>" is desired, request 12TPN-LL (4" longer than standard 2<sup>9</sup>/<sub>16</sub>" )

## TAN\* • Standard Sizes

Part No.	Tube O.D.	Straight Thread	Overall Length
4TAN	1/4"	7/16"-20	15/8"
5TAN	5/16"	1/2"-20	15/8"
6TAN	3/8"	9/16"-18	13/4"
8TAN	1/2"	3/4"-16	21/32"
10TAN	5/8"	7/8"-14	23/16"
12TAN	3/4"	1 1/16"-12	215/32"
14TAN	7/8"	1 3/16"-12	21/2"
16TAN	1"	1 5/16"-12	221/32"
20TAN	1 1/4"	1 5/8"-12	229/32"
24TAN	1 1/2"	1 7/8"-12	33/16"
32TAN	2"	2 1/2"-12	323/32"

## TAN\* TUBE- "A" NIPPLES For Use With SAE Straight Thread Fittings



### Stainless Steel Tubing

Lenz O-ring Seal tube fitting performs equally well on stainless steel tubing as with carbon steel tubing, but requires the use of stainless steel sleeves (#165-xxSS) and stainless steel buffer washers (#195-xx-SS), even when used with steel fittings. Example, when ordering: 100-12-12 with ss sleeves. When Ordering Lenz Fittings in all Stainless Steel Add SS To The Part Number. Example: 100-12-12-SS



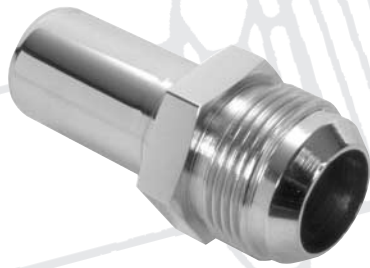
# TUBE FITTING

## NIPPLES AND ADAPTERS

### TFN\*

#### TUBE-FLARE NIPPLES

For Use with 37 J.I.C. Swivel Flare Hose or Tube Fittings



### TFN\* • Standard Sizes

Part No.	Tube O.D.	J.I.C. Thread	Overall Length
4TFN	1/4"	7/16"-20	1 <sup>25</sup> / <sub>32</sub> "
5TFN	5/16"	1/2"-20	1 <sup>13</sup> / <sub>16</sub> "
6TFN	3/8"	9/16"-18	1 <sup>29</sup> / <sub>32</sub> "
8TFN	1/2"	3/4"-16	2 <sup>1</sup> / <sub>4</sub> "
10TFN	5/8"	7/8"-14	2 <sup>15</sup> / <sub>32</sub> "
12TFN	3/4"	1 1/16"-12	2 <sup>25</sup> / <sub>32</sub> "
14TFN	7/8"	1 3/16"-12	2 <sup>13</sup> / <sub>16</sub> "
16TFN	1"	1 5/16"-12	2 <sup>15</sup> / <sub>16</sub> "
20TFN	1 1/4"	1 5/8"-12	3 <sup>9</sup> / <sub>32</sub> "
24TFN	1 1/2"	1 7/8"-12	3 <sup>25</sup> / <sub>32</sub> "

### LENZ 100-F

#### STRAIGHT ADAPTER

Lenz "O-Ring Seal" Tube End To J.I.C. Thread

An exclusive Lenz Adapter Fitting, offering many unusual time-saving applications. Especially useful in making swivel hose end connections to tube outlets, utilizing the patented features of "O-Ring Seal" on the tube end.



### Lenz 100-F • Straight Adapter

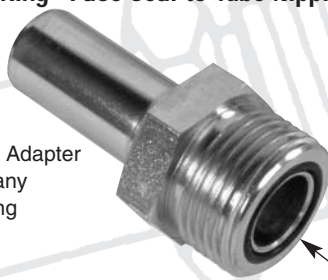
Part No.	Tube O.D.	J.I.C. Thread	Overall Length
100-4-F4	1/4"	7/16"-20	1 1/2"
100-5-F5	5/16"	1/2"-20	1 1/2"
100-6-F6	3/8"	9/16"-18	1 19/32"
100-8-F8	1/2"	3/4"-16	1 15/16"
100-10-F10	5/8"	7/8"-14	2 11/64"
100-12-F12	3/4"	1 1/16"-12	2 7/16"
100-14-F14	7/8"	1 3/16"-12	2 1/2"
100-16-F16	1"	1 5/16"-12	2 23/32"
100-20-F20	1 1/4"	1 5/8"-12	3"
100-24-F24	1 1/2"	1 7/8"-12	3 13/32"
100-32-F32	2"	2 1/2"-12	4 5/32"

### OFTN

#### TUBE O-RING FACE NIPPLES

"O-Ring" Face Seal to Tube Nipple

An exclusive Lenz Adapter Fitting, offering many unusual time-saving applications.



"O-Ring" Face

### OFTN • Tube O-Ring Face Nipples

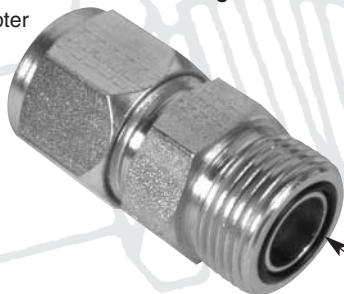
Part No.	Tube O.D.	J.I.C. Thread	Overall Length
4OFTN	1/4"	9/16"-18	1 39/64"
6OFTN	3/8"	1 1/16"-16	1 13/16"
8OFTN	1/2"	1 3/16"-16	2 1/8"
10OFTN	5/8"	1"-14	2 3/16"
12OFTN	3/4"	1 13/16"-12	2 9/16"
16OFTN	1"	1 7/16"-12	2 3/4"
20OFTN	1 1/4"	1 11/16"-12	3"
24OFTN	1 1/2"	2"-12	3 9/32"

### 100-OF

#### STRAIGHT ADAPTERS

"O-Ring Seal" Tube End To O-Ring Face Seal

An exclusive Lenz Adapter Fitting, offering many unusual time-saving applications.



"O-Ring" Face

### 100-OF • Straight Adapters

Part No.	Tube O.D.	J.I.C. Thread	Overall Length
100-4OF-4	1/4"	9/16"-18	1 25/64"
100-6OF-6	3/8"	1 1/16"-16	1 33/64"
100-8OF-8	1/2"	1 3/16"-16	1 29/32"
100-12OF-12	3/4"	1 3/16"-12	2 29/64"
100-16OF-16	1"	1 7/16"-12	2 33/64"
100-20OF-20	1 1/4"	1 11/16"-12	2 13/16"
100-24OF-24	1 1/2"	2"-12	3 1/32"

# 37° FLARE TUBE FITTINGS

T A P E R E D P I P E T H R E A D S

37° FLARE TUBE FITTINGS

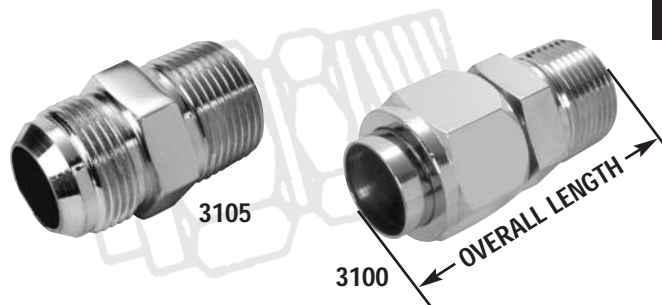
## HOW TO ORDER 3-PIECE FLARE TUBE FITTING ASSEMBLIES

For complete 3 piece assemblies as shown use the part number shown in the tables. For body only, change the last number preceding the dash of part number from 0 to 5.  
 Example: 3100-12 Male Connector Assembly becomes 3105-12 for Male Connector Body only. See "How to Order" inside front cover of this catalog.  
 Note: When Ordering Lenz Fittings in Stainless Steel Add-SS to the Part Number. Example: 3105-12-12SS

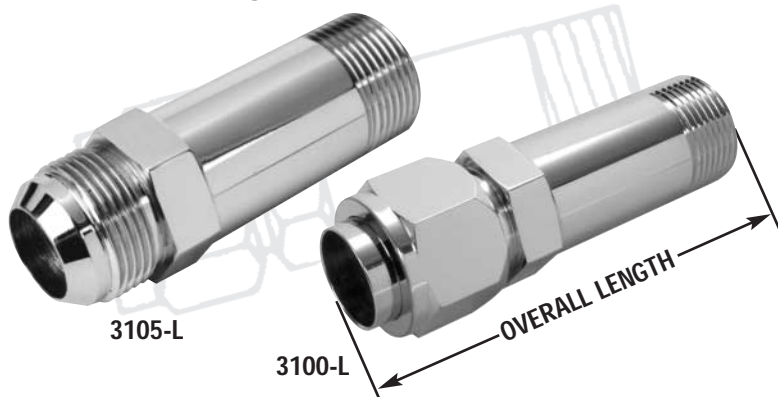
### 3105 / 3100 • Male Connector

Body Only Part No.	Complete Assem. Part No.	Tube O.D.	Male Pipe Thread	Overall Length
3105-2-2	3100-2-2	1/8"	1/8"	1 <sup>13</sup> / <sub>32</sub> "
3105-3-2	3100-3-2	3/16"	1/8"	1 <sup>1</sup> / <sub>2</sub> "
3105-4-2	3100-4-2	1/4"	1/8"	1 <sup>9</sup> / <sub>16</sub> "
3105-4-4	3100-4-4	1/4"	1/4"	1 <sup>25</sup> / <sub>32</sub> "
3105-4-6	3100-4-6	1/4"	3/8"	1 <sup>13</sup> / <sub>16</sub> "
3105-5-2	3100-5-2	5/16"	1/8"	1 <sup>5</sup> / <sub>8</sub> "
3105-5-4	3100-5-4	5/16"	1/4"	1 <sup>13</sup> / <sub>16</sub> "
3105-6-4	3100-6-4	3/8"	1/4"	1 <sup>29</sup> / <sub>32</sub> "
3105-6-2	3100-6-2	3/8"	1/8"	1 <sup>23</sup> / <sub>32</sub> "
3105-6-6	3100-6-6	3/8"	3/8"	1 <sup>29</sup> / <sub>32</sub> "
3105-6-8	3100-6-8	3/8"	1/2"	2 <sup>3</sup> / <sub>32</sub> "
3105-8-6	3100-8-6	1/2"	3/8"	2 <sup>1</sup> / <sub>16</sub> "
3105-8-4	3100-8-4	1/2"	1/4"	2 <sup>1</sup> / <sub>16</sub> "
3105-8-8	3100-8-8	1/2"	1/2"	2 <sup>9</sup> / <sub>32</sub> "
3105-8-12	3100-8-12	1/2"	3/4"	2 <sup>9</sup> / <sub>32</sub> "
3105-10-8	3100-10-8	5/8"	1/2"	2 <sup>17</sup> / <sub>32</sub> "
3105-10-6	3100-10-6	5/8"	3/8"	2 <sup>11</sup> / <sub>32</sub> "
3105-10-12	3100-10-12	5/8"	3/4"	2 <sup>9</sup> / <sub>16</sub> "
3105-12-12	3100-12-12	3/4"	3/4"	2 <sup>21</sup> / <sub>32</sub> "
3105-12-6	3100-12-6	3/4"	3/8"	2 <sup>15</sup> / <sub>32</sub> "
3105-12-8	3100-12-8	3/4"	1/2"	2 <sup>21</sup> / <sub>32</sub> "
3105-12-16	3100-12-16	3/4"	1"	2 <sup>27</sup> / <sub>32</sub> "
3105-14-12	3100-14-12	7/8"	3/4"	2 <sup>13</sup> / <sub>16</sub> "
3105-14-16	3100-14-16	7/8"	1"	3"
3105-16-16	3100-16-16	1"	1"	3 <sup>1</sup> / <sub>16</sub> "
3105-16-12	3100-16-12	1"	3/4"	2 <sup>7</sup> / <sub>8</sub> "
3105-16-20	3100-16-20	1"	1 <sup>1</sup> / <sub>4</sub> "	3 <sup>5</sup> / <sub>32</sub> "
3105-20-20	3100-20-20	1 <sup>1</sup> / <sub>4</sub> "	1 <sup>1</sup> / <sub>4</sub> "	3 <sup>5</sup> / <sub>16</sub> "
3105-20-16	3100-20-16	1 <sup>1</sup> / <sub>4</sub> "	1"	3 <sup>9</sup> / <sub>32</sub> "
3105-20-24	3100-20-24	1 <sup>1</sup> / <sub>4</sub> "	1 <sup>1</sup> / <sub>2</sub> "	3 <sup>11</sup> / <sub>32</sub> "
3105-24-24	3100-24-24	1 <sup>1</sup> / <sub>2</sub> "	1 <sup>1</sup> / <sub>2</sub> "	3 <sup>25</sup> / <sub>32</sub> "
3105-24-20	3100-24-20	1 <sup>1</sup> / <sub>2</sub> "	1 <sup>1</sup> / <sub>4</sub> "	3 <sup>3</sup> / <sub>4</sub> "
3105-32-32	3100-32-32	2"	2"	4 <sup>1</sup> / <sub>4</sub> "
3105-32-24	3100-32-24	2"	1 <sup>1</sup> / <sub>2</sub> "	4 <sup>3</sup> / <sub>16</sub> "

### 3105 / 3100 MALE CONNECTOR FLARE TUBE END- MALE PIPE END



### 3105-L / 3100-L LONG MALE CONNECTOR FLARE TUBE END-MALE PIPE END



### 3105-L / 3100-L • Long Male Connector

Body Only Part No.	Complete Assem. Part No.	Tube O.D.	Male Pipe Thread	Overall Length
3105L-4-2	3100L-4-2	1/4"	1/8"	2 <sup>3</sup> / <sub>16</sub> "
3105L-5-2	3100L-5-2	5/16"	1/8"	2 <sup>11</sup> / <sub>32</sub> "
3105L-6-4	3100L-6-4	3/8"	1/4"	2 <sup>23</sup> / <sub>32</sub> "
3105L-8-6	3100L-8-6	1/2"	3/8"	3 <sup>9</sup> / <sub>32</sub> "
3105L-10-8	3100L-10-8	5/8"	1/2"	3 <sup>3</sup> / <sub>4</sub> "
3105L-12-12	3100L-12-12	3/4"	3/4"	4 <sup>3</sup> / <sub>32</sub> "
3105L-14-12	3100L-14-12	7/8"	3/4"	4 <sup>15</sup> / <sub>32</sub> "
3105L-16-16	3100L-16-16	1"	1"	4 <sup>25</sup> / <sub>32</sub> "
3105L-20-20	3100L-20-20	1 <sup>1</sup> / <sub>4</sub> "	1 <sup>1</sup> / <sub>4</sub> "	5 <sup>11</sup> / <sub>32</sub> "

### 3105-LL / 3100-LL EXTRA LONG MALE CONNECTOR FLARE TUBE END-MALE PIPE END



### 3105-LL / 3100-LL • Extra Long Male Connector

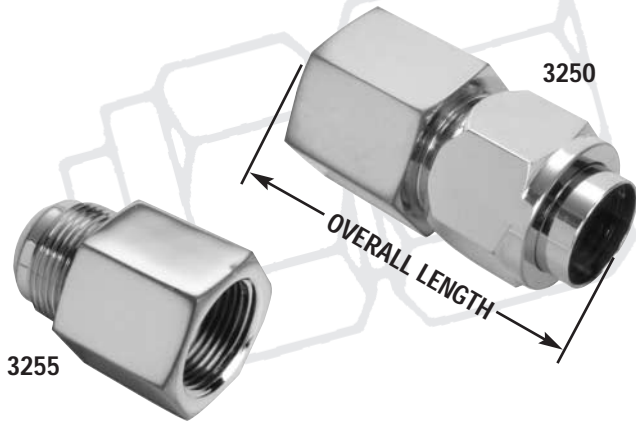
Body Only Part No.	Complete Assem. Part No.	Tube O.D.	Male Pipe Thread	Overall Length
3105LL-4-2	3100LL-4-2	1/4"	1/8"	2 <sup>15</sup> / <sub>16</sub> "
3105LL-5-2	3100LL-5-2	5/16"	1/8"	3 <sup>7</sup> / <sub>32</sub> "
3105LL-6-4	3100LL-6-4	3/8"	1/4"	3 <sup>23</sup> / <sub>32</sub> "
3105LL-8-6	3100LL-8-6	1/2"	3/8"	4 <sup>17</sup> / <sub>32</sub> "
3105LL-10-8	3100LL-10-8	5/8"	1/2"	5"
3105LL-12-12	3100LL-12-12	3/4"	3/4"	5 <sup>19</sup> / <sub>32</sub> "
3105LL-14-12	3100LL-14-12	7/8"	3/4"	6 <sup>3</sup> / <sub>32</sub> "
3105LL-16-16	3100LL-16-16	1"	1"	6 <sup>17</sup> / <sub>32</sub> "
3105LL-20-20	3100LL-20-20	1 <sup>1</sup> / <sub>4</sub> "	1 <sup>1</sup> / <sub>4</sub> "	7 <sup>11</sup> / <sub>32</sub> "

LENZ • P.O. BOX 1044 • DAYTON, OHIO 45401-1044 • PHONE: 937/277-9364 • FAX: 937/277-6516  
 OFFICE & FACTORY • 3301 KLEPINGER ROAD • DAYTON, OHIO 45406-1842  
 INTERNET: <http://www.lenzinc.com>

# 37° FLARE TUBE FITTINGS

T A P E R E D P I P E T H R E A D

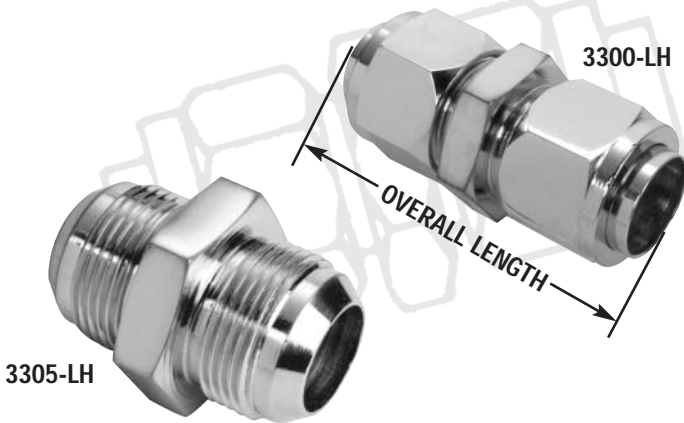
**3255 / 3250**  
**FEMALE CONNECTOR-FLARE TUBE END-**  
**FEMALE PIPE END**



**3255 / 3250 • Female Connector**

Body Only Part No.	Complete Assem. Part No.	Tube O.D.	Female Pipe Thread	Overall Length
3255-2-2	3250-2-2	1/8"	1/8"	113/32"
3255-3-2	3250-3-2	3/16"	1/8"	17/16"
3255-4-2	3250-4-2	1/4"	1/8"	19/16"
3255-4-4	3250-4-4	1/4"	1/4"	13/4"
3255-5-2	3250-5-2	5/16"	1/8"	119/32"
3255-5-4	3250-5-4	5/16"	1/4"	13/4"
3255-6-4	3250-6-4	3/8"	1/4"	125/32"
3255-6-2	3250-6-2	3/8"	1/8"	121/32"
3255-6-6	3250-6-6	3/8"	3/8"	17/8"
3255-8-6	3250-8-6	1/2"	3/8"	21/16"
3255-8-4	3250-8-4	1/2"	1/4"	21/16"
3255-8-8	3250-8-8	1/2"	1/2"	29/32"
3255-10-8	3250-10-8	5/8"	1/2"	27/16"
3255-10-6	3250-10-6	5/8"	3/8"	21/4"
3255-12-12	3250-12-12	3/4"	3/4"	219/32"
3255-12-8	3250-12-8	3/4"	1/2"	217/32"
3255-14-12	3250-14-12	7/8"	3/4"	223/32"
3255-16-16	3250-16-16	1"	1"	3"
3255-16-12	3250-16-12	1"	3/4"	213/16"
3255-20-20	3250-20-20	1 1/4"	1 1/4"	33/16"
3255-24-24	3250-24-24	1 1/2"	1 1/2"	317/32"
3255-32-32	3250-32-32	2"	2"	329/32"

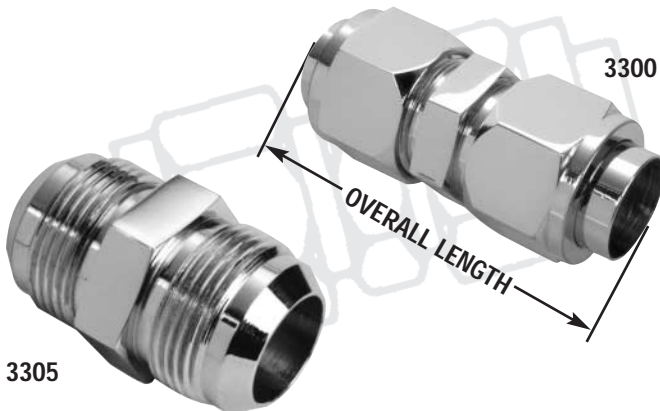
**3305-LH / 3300-LH**  
**LARGE HEX UNION**  
**FLARE TUBE END-FLARE TUBE END**



**3305-LH / 3300-LH • Large Hex Union**

Body Only Part No.	Complete Assem. Part No.	Tube O.D.	Body Hex	Overall Length
3305LH-4	3300LH-4	1/4"	1 1/16"	2 1/8"
3305LH-5	3300LH-5	5/16"	3/4"	23/16"
3305LH-6	3300LH-6	3/8"	13/16"	211/32"
3305LH-8	3300LH-8	1/2"	1"	211/16"
3305LH-10	3300LH-10	5/8"	1 1/8"	33/16"
3305LH-12	3300LH-12	3/4"	1 3/8"	33/8"
3305LH-16	3300LH-16	1"	1 5/8"	325/32"
3305LH-20	3300LH-20	1 1/4"	1 7/8"	4 1/8"

**3305 / 3300**  
**UNION FLARE TUBE END-**  
**FLARE TUBE END**



**3305 / 3300 • Union**

Body Only Part No.	Complete Assem. Part No.	Tube O.D. Part No.	Overall Length
3305-4-4	3300-4-4	1/4"	2 1/8"
3305-5-5	3300-5-5	5/16"	23/16"
3305-6-6	3300-6-6	3/8"	211/32"
3305-8-8	3300-8-8	1/2"	211/16"
3305-10-10	3300-10-10	5/8"	33/16"
3305-12-12	3300-12-12	3/4"	33/8"
3305-14-14	3300-14-14	7/8"	35/8"
3305-16-16	3300-16-16	1"	325/32"
3305-20-20	3300-20-20	1 1/4"	4 1/8"
3305-24-24	3300-24-24	1 1/2"	4 15/16"
3305-32-32	3300-32-32	2"	5 5/8"



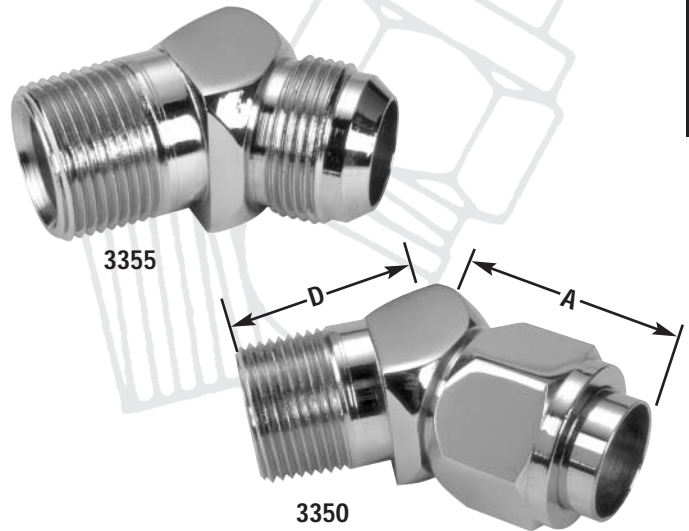
# 37° FLARE TUBE FITTINGS

T A P E R E D P I P E T H R E A D

## 3355 / 3350 • Male 45° Elbow

Body Only Part No.	Complete Assembly Part No.	Tube O.D.	Male Pipe Thread	"A" Tube Leg	"D" Male Pipe Leg
3355-2-2	3350-2-2	1/8"	1/8"	31/32"	17/32"
3355-3-2	3350-3-2	3/16"	1/8"	11/32"	17/32"
3355-4-2	3350-4-2	1/4"	1/8"	13/32"	5/8"
3355-4-4	3350-4-4	1/4"	1/4"	15/32"	27/32"
3355-5-2	3350-5-2	5/16"	1/8"	15/32"	5/8"
3355-5-4	3350-5-4	5/16"	1/4"	17/32"	27/32"
3355-6-4	3350-6-4	3/8"	1/4"	19/32"	27/32"
3355-6-2	3350-6-2	3/8"	1/8"	19/32"	11/16"
3355-6-6	3350-6-6	3/8"	3/8"	13/8"	15/16"
3355-6-8	3350-6-8	3/8"	1/2"	11/2"	15/32"
3355-8-6	3350-8-6	1/2"	3/8"	11/2"	15/16"
3355-8-4	3350-8-4	1/2"	1/4"	11/2"	15/16"
3355-8-8	3350-8-8	1/2"	1/2"	19/16"	15/32"
3355-8-12	3350-8-12	1/2"	3/4"	15/8"	13/16"
3355-10-8	3350-10-8	5/8"	1/2"	123/32"	15/32"
3355-10-6	3350-10-6	5/8"	3/8"	123/32"	31/32"
3355-10-12	3350-10-12	5/8"	3/4"	125/32"	13/16"
3355-12-12	3350-12-12	3/4"	3/4"	17/8"	13/16"
3355-12-8	3350-12-8	3/4"	1/2"	17/8"	17/32"
3355-14-12	3350-14-12	7/8"	3/4"	23/32"	11/4"
3355-16-16	3350-16-16	1"	1"	27/32"	115/32"
3355-16-12	3350-16-12	1"	3/4"	27/32"	11/4"
3355-20-20	3350-20-20	1 1/4"	1 1/4"	27/16"	121/32"
3355-24-24	3350-24-24	1 1/2"	1 1/2"	27/8"	13/4"
3355-32-32	3350-32-32	2"	2"	311/32"	23/32"

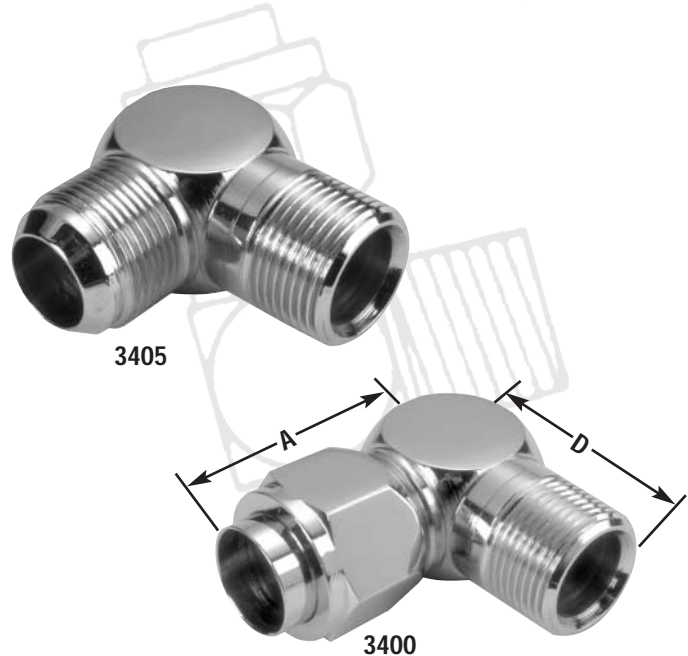
**3355 / 3350**  
**MALE 45° ELBOW**  
**FLARE TUBE END-MALE PIPE END**  
Example of Part No.: 3350-12 for 3/4" O.D. Tubing



## 3405 / 3400 • Male Elbow

Body Only Part No.	Complete Assembly Part No.	Tube O.D.	Male Pipe Thread	"A" Tube Leg	"D" Male Pipe Leg
3405-2-2	3400-2-2	1/8"	1/8"	13/32"	23/32"
3405-3-2	3400-3-2	3/16"	1/8"	15/32"	23/32"
3405-4-2	3400-4-2	1/4"	1/8"	19/32"	25/32"
3405-4-4	3400-4-4	1/4"	1/4"	113/32"	13/32"
3405-4-6	3400-4-6	1/4"	3/8"	115/32"	17/32"
3405-5-2	3400-5-2	5/16"	1/8"	13/8"	25/32"
3405-5-4	3400-5-4	5/16"	1/4"	17/16"	13/32"
3405-6-4	3400-6-4	3/8"	1/4"	117/32"	13/32"
3405-6-2	3400-6-2	3/8"	1/8"	117/32"	7/8"
3405-6-6	3400-6-6	3/8"	3/8"	121/32"	17/32"
3405-6-8	3400-6-8	3/8"	1/2"	123/32"	115/32"
3405-8-6	3400-8-6	1/2"	3/8"	125/32"	17/32"
3405-8-4	3400-8-4	1/2"	1/4"	125/32"	15/32"
3405-8-8	3400-8-8	1/2"	1/2"	115/16"	115/32"
3405-8-12	3400-8-12	1/2"	3/4"	21/32"	19/16"
3405-10-8	3400-10-8	5/8"	1/2"	23/32"	115/32"
3405-10-6	3400-10-6	5/8"	3/8"	23/32"	13/8"
3405-10-12	3400-10-12	5/8"	3/4"	27/32"	119/32"
3405-12-12	3400-12-12	3/4"	3/4"	21/4"	119/32"
3405-12-8	3400-12-8	3/4"	1/2"	21/4"	19/16"
3405-12-16	3400-12-16	3/4"	1"	27/16"	131/32"
3405-14-12	3400-14-12	7/8"	3/4"	27/16"	111/16"
3405-16-16	3400-16-16	1"	1"	219/32"	131/32"
3405-16-12	3400-16-12	1"	3/4"	219/32"	123/32"
3405-16-20	3400-16-20	1"	1 1/4"	215/16"	23/8"
3405-20-20	3400-20-20	1 1/4"	1 1/4"	229/32"	23/8"
3405-20-16	3400-20-16	1 1/4"	1"	229/32"	23/8"
3405-20-24	3400-20-24	1 1/4"	1 1/2"	31/32"	25/8"
3405-24-24	3400-24-24	1 1/2"	1 1/2"	37/16"	25/8"
3405-24-20	3400-24-20	1 1/2"	1 1/4"	37/16"	25/8"
3405-32-32	3400-32-32	2"	2"	43/16"	3"
3405-32-24	3400-32-24	2"	1 1/2"	43/16"	3"

**3405 / 3400**  
**MALE ELBOW**  
**FLARE TUBE END-MALE PIPE END**  
Example of Part No.: 3400-12 for 3/4" O.D. Tubing



For body only, change the last number preceding the dash of part number from 0 to 5. Example: 3100-12-12 becomes 3105-12-12.

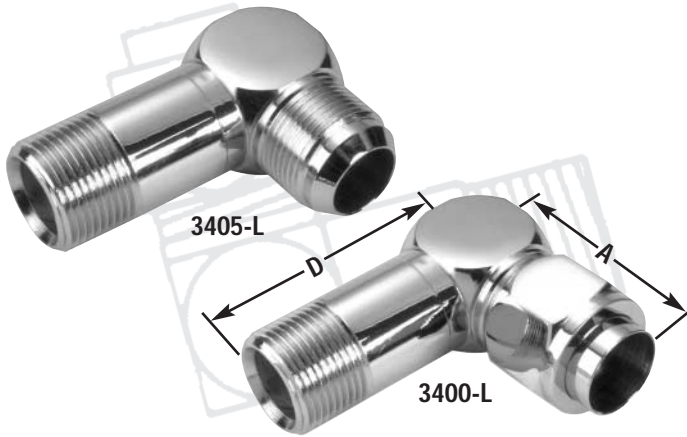
LENZ • P.O. BOX 1044 • DAYTON, OHIO 45401-1044 • PHONE: 937/277-9364 • FAX: 937/277-6516  
OFFICE & FACTORY • 3301 KLEPINGER ROAD • DAYTON, OHIO 45406-1842  
INTERNET: <http://www.lenzinc.com>



# 37° FLARE TUBE FITTINGS

T A P E R E D P I P E T H R E A D

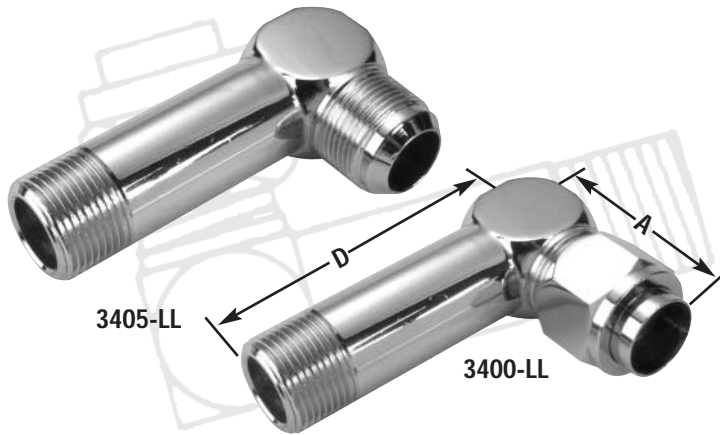
**3405-L / 3400-L  
LONG MALE ELBOW  
FLARE TUBE END-MALE PIPE END**



**3405-L / 3400-L • Long Male Elbow**

Body Only Part No.	Complete Assem. Part No.	Tube O.D.	Male Pipe Thread	"A" (Tube Leg)	"D" (Male Pipe Leg)
3405L-4-2	3400L-4-2	1/4"	1/8"	19/32"	13/16"
3405L-4-4	3400L-4-4	1/4"	1/4"	1 <sup>13</sup> /32"	1 <sup>21</sup> /32"
3405L-5-2	3400L-5-2	5/16"	1/8"	13/8"	17/32"
3405L-5-4	3400L-5-4	5/16"	1/4"	17/16"	1 <sup>21</sup> /32"
3405L-6-4	3400L-6-4	3/8"	1/4"	1 <sup>17</sup> /32"	1 <sup>21</sup> /32"
3405L-6-6	3400L-6-6	3/8"	3/8"	1 <sup>21</sup> /32"	1 <sup>13</sup> /16"
3405L-8-6	3400L-8-6	1/2"	3/8"	1 <sup>25</sup> /32"	1 <sup>13</sup> /16"
3405L-8-8	3400L-8-8	1/2"	1/2"	1 <sup>15</sup> /16"	2 <sup>7</sup> /32"
3405L-8-12	3400L-8-12	1/2"	3/4"	2 <sup>1</sup> /32"	2 <sup>15</sup> /32"
3405L-10-8	3400L-10-8	5/8"	1/2"	2 <sup>3</sup> /32"	2 <sup>7</sup> /32"
3405L-12-12	3400L-12-12	3/4"	3/4"	2 <sup>1</sup> /4"	2 <sup>15</sup> /32"
3405L-14-12	3400L-14-12	7/8"	3/4"	2 <sup>7</sup> /16"	2 <sup>3</sup> /4"
3405L-16-16	3400L-16-16	1"	1"	2 <sup>19</sup> /32"	3 <sup>1</sup> /16"
3405L-20-20	3400L-20-20	1 1/4"	1 1/4"	2 <sup>29</sup> /32"	3 <sup>19</sup> /32"

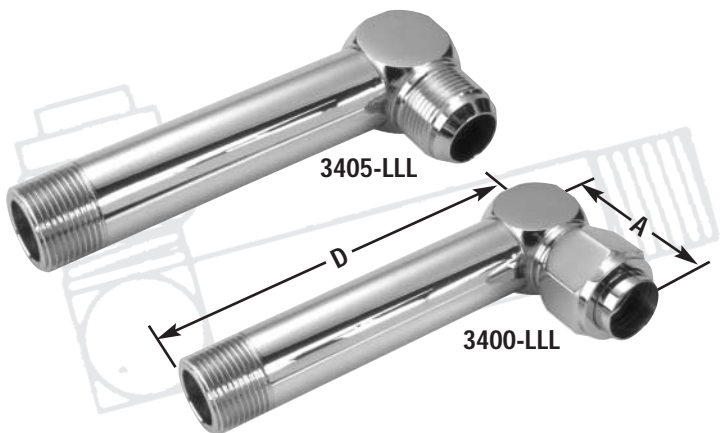
**3405-LL / 3400-LL  
EXTRA LONG MALE ELBOW  
FLARE TUBE END-MALE PIPE END**



**3405-LL / 3400-LL • Long Male Elbow**

Body Only Part No.	Complete Assem. Part No.	Tube O.D.	Male Pipe Thread	"A" (Tube Leg)	"D" (Male Pipe Leg)
3405LL-4-2	3400LL-4-2	1/4"	1/8"	19/32"	1 <sup>9</sup> /32"
3405LL-4-4	3400LL-4-4	1/4"	1/4"	1 <sup>13</sup> /32"	2 <sup>1</sup> /8"
3405LL-5-2	3400LL-5-2	5/16"	1/8"	13/8"	1 <sup>21</sup> /32"
3405LL-5-4	3400LL-5-4	5/16"	1/4"	17/16"	2 <sup>1</sup> /8"
3405LL-6-4	3400LL-6-4	3/8"	1/4"	1 <sup>17</sup> /32"	2 <sup>1</sup> /8"
3405LL-6-6	3400LL-6-6	3/8"	3/8"	1 <sup>21</sup> /32"	2 <sup>13</sup> /32"
3405LL-8-6	3400LL-8-6	1/2"	3/8"	1 <sup>25</sup> /32"	2 <sup>13</sup> /32"
3405LL-8-8	3400LL-8-8	1/2"	1/2"	1 <sup>15</sup> /16"	2 <sup>7</sup> /8"
3405LL-10-8	3400LL-10-8	5/8"	1/2"	2 <sup>3</sup> /32"	2 <sup>7</sup> /8"
3405LL-12-12	3400LL-12-12	3/4"	3/4"	2 <sup>1</sup> /4"	3 <sup>5</sup> /32"
3405LL-14-12	3400LL-14-12	7/8"	3/4"	2 <sup>7</sup> /16"	3 <sup>3</sup> /8"
3405LL-16-16	3400LL-16-16	1"	1"	2 <sup>19</sup> /32"	4 <sup>1</sup> /8"
3405LL-20-20	3400LL-20-20	1 1/4"	1 1/4"	2 <sup>29</sup> /32"	4 <sup>13</sup> /16"

**3405-LLL / 3400-LLL  
EXTRA LONG-LONG MALE ELBOW  
FLARE TUBE END-MALE PIPE END**



**3405-LLL / 3400-LLL • Long Male Elbow**

Body Only Part No.	Complete Assem. Part No.	Tube O.D.	Male Pipe Thread	"A" (Tube Leg)	"D" (Male Pipe Leg)
3405LLL-4-2	3400LLL-4-2	1/4"	1/8"	19/32"	2 <sup>7</sup> /16"
3405LLL-5-2	3400LLL-5-2	5/16"	1/8"	13/8"	2 <sup>15</sup> /32"
3405LLL-6-4	3400LLL-6-4	3/8"	1/4"	1 <sup>17</sup> /32"	3 <sup>5</sup> /32"
3405LLL-8-6	3400LLL-8-6	1/2"	3/8"	1 <sup>25</sup> /32"	3 <sup>19</sup> /32"
3405LLL-10-8	3400LLL-10-8	5/8"	1/2"	2 <sup>3</sup> /32"	4 <sup>5</sup> /16"
3405LLL-12-12	3400LLL-12-12	3/4"	3/4"	2 <sup>1</sup> /4"	4 <sup>23</sup> /32"
3405LLL-14-12	3400LLL-14-12	7/8"	3/4"	2 <sup>7</sup> /16"	5 <sup>1</sup> /16"
3405LLL-16-16	3400LLL-16-16	1"	1"	2 <sup>19</sup> /32"	6 <sup>5</sup> /16"
3405LLL-20-20	3400LLL-20-20	1 1/4"	1 1/4"	2 <sup>29</sup> /32"	7 <sup>1</sup> /4"

*Note: 3400LL Elbows Will Turn Above 3400 Elbows and 3400-LLL Elbows Will Turn Above 3400-LL Elbows.*

*For body only, change the last number preceding the dash of part number from 0 to 5. Example: 3100-12-12 becomes 3105-12-12.*

# 37° FLARE TUBE FITTINGS

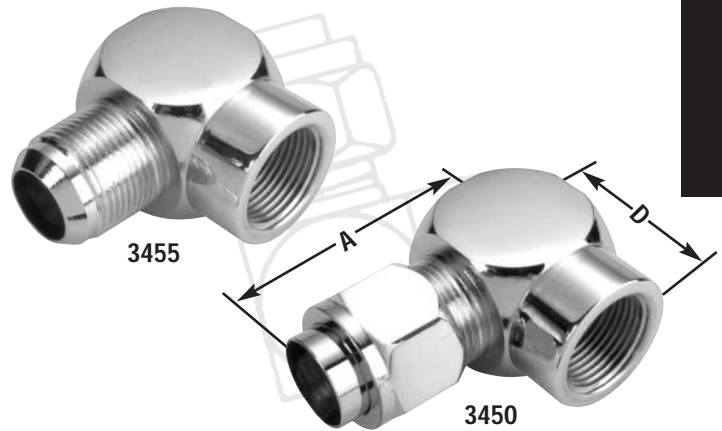
T A P E R E D P I P E T H R E A D

37° FLARE TUBE FITTINGS

## 3455 / 3450 • Female Elbow

Body Only Part No.	Complete Assem. Part No.	Tube O.D.	Female Pipe Thread	"A" (Tube Leg)	"D" (Female Pipe Leg)
3455-4-2	3450-4-2	1/4"	1/8"	17/16"	21/32"
3455-4-4	3450-4-4	1/4"	1/4"	19/16"	29/32"
3455-5-2	3450-5-2	5/16"	1/8"	115/32"	21/32"
3455-5-4	3450-5-4	5/16"	1/4"	119/32"	29/32"
3455-6-4	3450-6-4	3/8"	1/4"	111/16"	29/32"
3455-6-2	3450-6-2	3/8"	1/8"	117/32"	21/32"
3455-6-6	3450-6-6	3/8"	3/8"	125/32"	1"
3455-8-6	3450-8-6	1/2"	3/8"	115/16"	1"
3455-8-4	3450-8-4	1/2"	1/4"	127/32"	29/32"
3455-8-8	3450-8-8	1/2"	1/2"	131/32"	11/4"
3455-10-8	3450-10-8	5/8"	1/2"	21/4"	11/4"
3455-10-6	3450-10-6	5/8"	3/8"	25/32"	1"
3455-12-12	3450-12-12	3/4"	3/4"	215/32"	111/32"
3455-12-8	3450-12-8	3/4"	1/2"	21/4"	11/4"
3455-14-12	3450-14-12	7/8"	3/4"	29/16"	111/32"
3455-16-16	3450-16-16	1"	1"	215/16"	15/8"
3455-16-12	3450-16-12	1"	3/4"	219/32"	111/32"
3455-20-20	3450-20-20	1 1/4"	1 1/4"	35/32"	111/16"
3455-20-16	3450-20-16	1 1/4"	1"	229/32"	15/8"
3455-24-24	3450-24-24	1 1/2"	1 1/2"	331/32"	21/16"
3455-32-32	3450-32-32	2"	2"	413/32"	23/8"

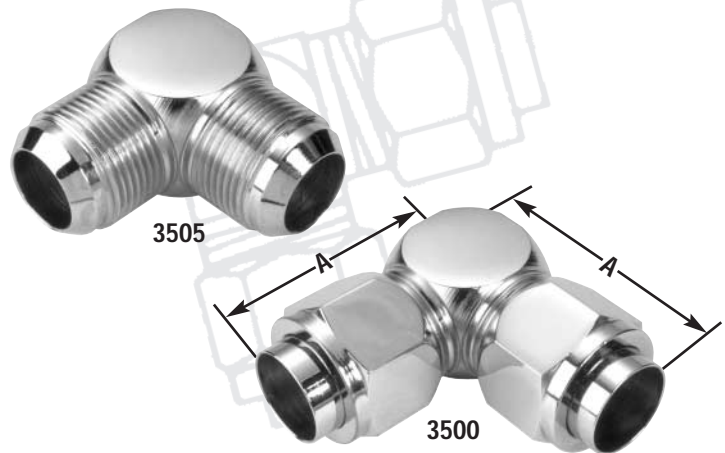
## 3455 / 3450 FEMALE ELBOW FLARE TUBE END - FEMALE PIPE END



## 3505 / 3500 • Elbow Union

Body Only Part No.	Complete Assem. Part No.	Tube O.D.	"A" (Tube Leg)
3505-4	3500-4	1/4"	19/32"
3505-5	3500-5	5/16"	13/8"
3505-6	3500-6	3/8"	117/32"
3505-8	3500-8	1/2"	125/32"
3505-10	3500-10	5/8"	23/32"
3505-12	3500-12	3/4"	21/4"
3505-14	3500-14	7/8"	27/16"
3505-16	3500-16	1"	219/32"
3505-20	3500-20	1 1/4"	229/32"
3505-24	3500-24	1 1/2"	37/16"
3505-32	3500-32	2"	43/16"

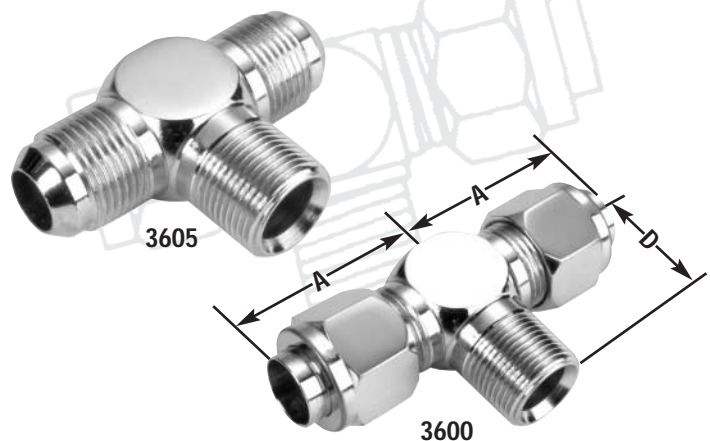
## 3505 / 3500 ELBOW UNION FLARE TUBE END - BOTH OPENINGS



## 3605 / 3600 • Male Branch Tee

Body Only Part No.	Complete Assem. Part No.	Tube O.D.	Male Pipe Thread	"A" (Tube Leg)	"D" (Male Pipe Leg)
3605-4-4-2	3600-4-4-2	1/4"	1/8"	19/32"	25/32"
3605-4-4-4	3600-4-4-4	1/4"	1/4"	113/32"	13/32"
3605-5-5-2	3600-5-5-2	5/16"	1/8"	13/8"	25/32"
3605-5-5-4	3600-5-5-4	5/16"	1/4"	17/16"	13/32"
3605-6-6-4	3600-6-6-4	3/8"	1/4"	117/32"	13/32"
3605-6-6-2	3600-6-6-2	3/8"	1/8"	117/32"	7/8"
3605-6-6-6	3600-6-6-6	3/8"	3/8"	121/32"	17/32"
3605-6-6-8	3600-6-6-8	3/8"	1/2"	123/32"	115/32"
3605-8-8-6	3600-8-8-6	1/2"	3/8"	125/32"	17/32"
3605-8-8-4	3600-8-8-4	1/2"	1/4"	125/32"	15/32"
3605-8-8-8	3600-8-8-8	1/2"	1/2"	115/16"	115/32"
3605-8-8-12	3600-8-8-12	1/2"	3/4"	21/32"	19/16"
3605-10-10-8	3600-10-10-8	5/8"	1/2"	23/32"	115/32"
3605-10-10-6	3600-10-10-6	5/8"	3/8"	23/32"	13/8"
3605-10-10-12	3600-10-10-12	5/8"	3/4"	27/32"	119/32"
3605-12-12-12	3600-12-12-12	3/4"	3/4"	21/4"	119/32"
3605-12-12-8	3600-12-12-8	3/4"	1/2"	21/4"	19/16"
3605-14-14-12	3600-14-14-12	7/8"	3/4"	27/16"	111/16"
3605-16-16-16	3600-16-16-16	1"	1"	219/32"	131/32"
3605-16-16-12	3600-16-16-12	1"	3/4"	219/32"	123/32"
3605-20-20-20	3600-20-20-20	1 1/4"	1 1/4"	229/32"	23/8"
3605-24-24-24	3600-24-24-24	1 1/2"	1 1/2"	37/16"	25/8"
3605-32-32-32	3600-32-32-32	2"	2"	43/16"	3"

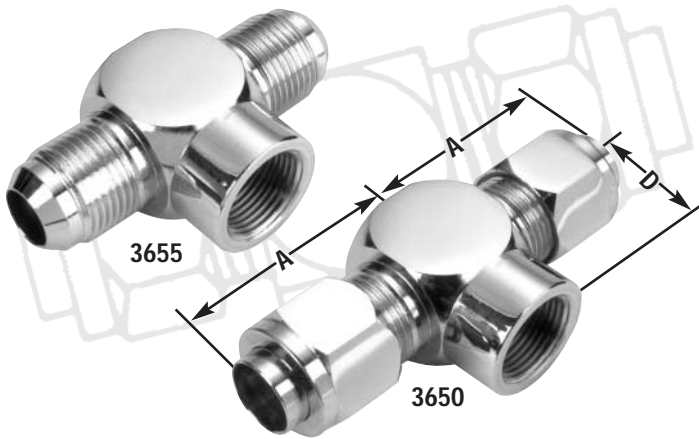
## 3605 / 3600 MALE BRANCH TEE FLARE TUBE TWO ENDS - MALE PIPE SIDE OUTLET



# 37° FLARE TUBE FITTINGS

T A P E R E D P I P E T H R E A D

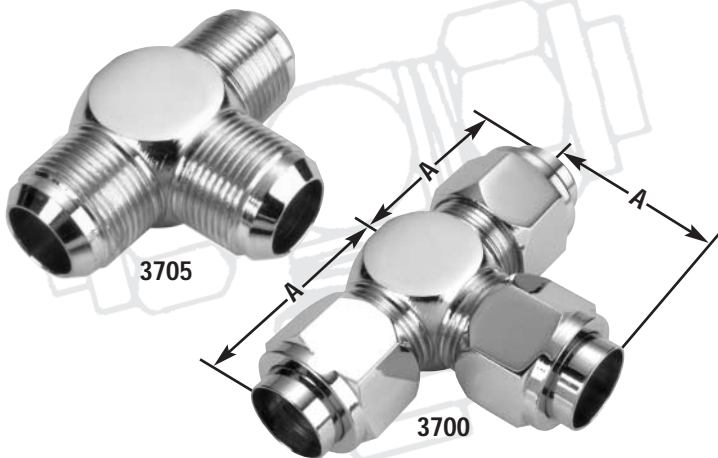
**3655 / 3650 - FEMALE BRANCH TEE  
FLARE TUBE TWO ENDS  
FEMALE PIPE SIDE OUTLET**



**3655 / 3650 • Female Branch Tee**

Body Only Part No.	Complete Assem. Part No.	Tube O.D.	Female Pipe Thread	"A" (Tube Leg)	"D" (Female Pipe Leg)
3655-4-4-2	3650-4-4-2	1/4"	1/8"	17/16"	21/32"
3655-4-4-4	3650-4-4-4	1/4"	1/4"	19/16"	29/32"
3655-5-5-2	3650-5-5-2	5/16"	1/8"	115/32"	21/32"
3655-6-6-4	3650-6-6-4	3/8"	1/4"	111/16"	29/32"
3655-6-6-2	3650-6-6-2	3/8"	1/8"	117/32"	21/32"
3655-6-6-6	3650-6-6-6	3/8"	3/8"	125/32"	1"
3655-8-8-6	3650-8-8-6	1/2"	3/8"	115/16"	1"
3655-8-8-4	3650-8-8-4	1/2"	1/4"	127/32"	29/32"
3655-8-8-8	3650-8-8-8	1/2"	1/2"	131/32"	11/4"
3655-10-10-8	3650-10-10-8	5/8"	1/2"	21/4"	11/4"
3655-12-12-12	3650-12-12-12	3/4"	3/4"	215/32"	111/32"
3655-12-12-8	3650-12-12-8	3/4"	1/2"	21/4"	11/4"
3655-14-14-12	3650-14-14-12	7/8"	3/4"	29/16"	111/32"
3655-16-16-16	3650-16-16-16	1"	1"	215/16"	15/8"
3655-20-20-20	3650-20-20-20	1 1/4"	1 1/4"	35/32"	111/16"
3655-24-24-24	3650-24-24-24	1 1/2"	1 1/2"	331/32"	21/16"
3655-32-32-32	3650-32-32-32	2"	2"	413/32"	23/8"

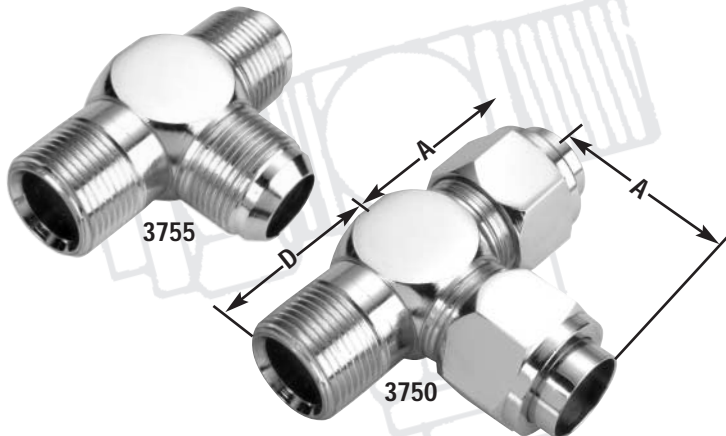
**3705 / 3700 - TEE UNION  
FLARE TUBE END-ALL OPENINGS**



**3705 / 3700 • Tee Union**

Body Only Part No.	Complete Assem. Part No.	Tube O.D.	"A" (Tube Leg)
3705-2	3700-2	1/8"	13/32"
3705-3	3700-3	3/16"	15/32"
3705-4	3700-4	1/4"	19/32"
3705-5	3700-5	5/16"	13/8"
3705-6	3700-6	3/8"	117/32"
3705-8	3700-8	1/2"	125/32"
3705-10	3700-10	5/8"	23/32"
3705-12	3700-12	3/4"	21/4"
3705-14	3700-14	7/8"	27/16"
3705-16	3700-16	1"	219/32"
3705-20	3700-20	1 1/4"	229/32"
3705-24	3700-24	1 1/2"	37/16"
3705-32	3700-32	2"	43/16"

**3755 / 3750 - MALE RUN TEE  
FLARE TUBE END - MALE PIPE END  
FLARE TUBE SIDE OUTLET**



**3755 / 3750 • Male Run Tee**

Body Only Part No.	Complete Assem. Part No.	Tube O.D.	Male Pipe Thread	"A" (Tube Leg)	"D" (Male Pipe Leg)
3755-4-2-4	3750-4-2-4	1/4"	1/8"	19/32"	25/32"
3755-4-4-4	3750-4-4-4	1/4"	1/4"	113/32"	13/32"
3755-5-2-5	3750-5-2-5	5/16"	1/8"	13/8"	25/32"
3755-6-4-6	3750-6-4-6	3/8"	1/4"	117/32"	13/32"
3755-6-2-6	3750-6-2-6	3/8"	1/8"	117/32"	7/8"
3755-6-6-6	3750-6-6-6	3/8"	3/8"	121/32"	17/32"
3755-8-6-8	3750-8-6-8	1/2"	3/8"	125/32"	17/32"
3755-8-4-8	3750-8-4-8	1/2"	1/4"	125/32"	15/32"
3755-8-8-8	3750-8-8-8	1/2"	1/2"	115/16"	115/32"
3755-10-8-10	3750-10-8-10	5/8"	1/2"	23/32"	115/32"
3755-12-12-12	3750-12-12-12	3/4"	3/4"	21/4"	119/32"
3755-14-12-14	3750-14-12-14	7/8"	3/4"	27/16"	111/16"
3755-16-16-16	3750-16-16-16	1"	1"	219/32"	131/32"
3755-20-20-20	3750-20-20-20	1 1/4"	1 1/4"	229/32"	23/8"
3755-24-24-24	3750-24-24-24	1 1/2"	1 1/2"	37/16"	25/8"
3755-32-32-32	3750-32-32-32	2"	2"	43/16"	3"



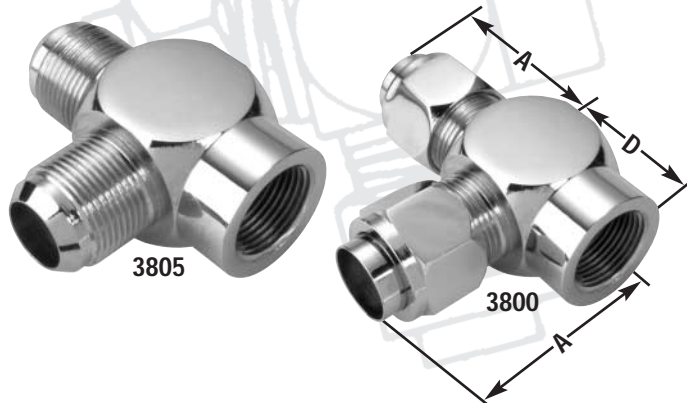
# 37° FLARE TUBE FITTINGS

T A P E R E D P I P E T H R E A D

## 3805 / 3800 • Female Run Tee

Body Only Part No.	Complete Assem. Part No.	Tube O.D.	Female Pipe Thread	"A" (Tube Leg)	"D" (Female Pipe Leg)
3805-4-2-4	3800-4-2-4	1/4"	1/8"	17/16"	21/32"
3805-5-2-5	3800-5-2-5	5/16"	1/8"	115/32"	21/32"
3805-6-4-6	3800-6-4-6	3/8"	1/4"	111/16"	29/32"
3805-8-6-8	3800-8-6-8	1/2"	3/8"	115/16"	1"
3805-8-8-8	3800-8-8-8	1/2"	1/2"	131/32"	11/4"
3805-10-8-10	3800-10-8-10	5/8"	1/2"	21/4"	11/4"
3805-12-12-12	3800-12-12-12	3/4"	3/4"	215/32"	111/32"
3805-14-12-14	3800-14-12-14	7/8"	3/4"	29/16"	111/32"
3805-16-16-16	3800-16-16-16	1"	1"	215/16"	15/8"
3805-20-20-20	3800-20-20-20	1 1/4"	1 1/4"	35/32"	111/16"
3805-24-24-24	3800-24-24-24	1 1/2"	1 1/2"	331/32"	21/16"
3805-32-32-32	3800-32-32-32	2"	2"	413/32"	23/8"

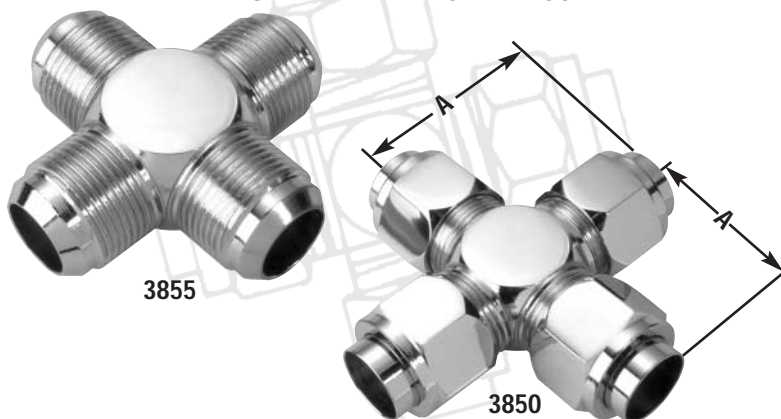
## 3805 / 3800 FEMALE RUN TEE FLARE TUBE END - FEMALE PIPE END - FLARE TUBE SIDE OUTLET



## 3855 / 3850 • Tube Cross

Body Only Part No.	Complete Assem. Part No.	Tube O.D.	"A" (Tube Leg)
3855-4	3850-4	1/4"	19/32"
3855-5	3850-5	5/16"	13/8"
3855-6	3850-6	3/8"	117/32"
3855-8	3850-8	1/2"	125/32"
3855-10	3850-10	5/8"	23/32"
3855-12	3850-12	3/4"	21/4"
3855-14	3850-14	7/8"	27/16"
3855-16	3850-16	1"	219/32"
3855-20	3850-20	1 1/4"	229/32"
3855-24	3850-24	1 1/2"	37/16"
3855-32	3850-32	2"	43/16"

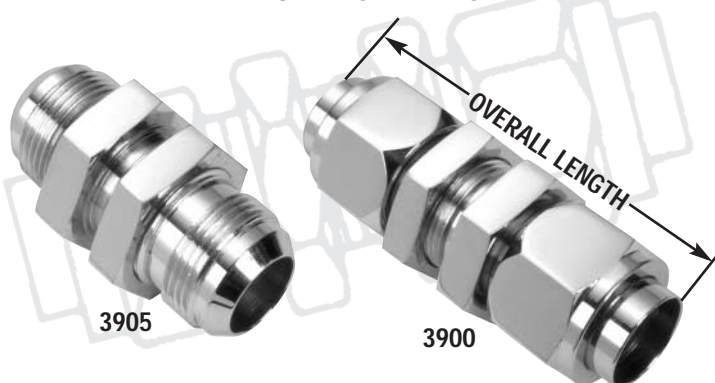
## 3855 / 3850 TUBE CROSS FLARE TUBE END - ALL OPENINGS



## 3905 / 3900 • Bulkhead Union

Body Only Part No.	Complete Assem. Part No.	Tube O.D.	Bulkhead Hole Diameter	Overall Length
3905-4	3900-4	1/4"	15/32"	227/32"
3905-5	3900-5	5/16"	17/32"	229/32"
3905-6	3900-6	3/8"	19/32"	31/8"
3905-8	3900-8	1/2"	25/32"	317/32"
3905-10	3900-10	5/8"	29/32"	4"
3905-12	3900-12	3/4"	13/32"	49/32"
3905-14	3900-14	7/8"	17/32"	49/16"
3905-16	3900-16	1"	111/32"	523/32"
3905-20	3900-20	1 1/4"	121/32"	57/32"
3905-24	3900-24	1 1/2"	129/32"	511/16"
3905-32	3900-32	2"	217/32"	617/32"

## 3905 / 3900 BULKHEAD UNION FLARE TUBE-BOTH ENDS



Maximum Bulkhead Thickness 3/8"

For body only, change the last number preceding the dash of part number from 0 to 5. Example: 3100-12-12 becomes 3105-12-12.

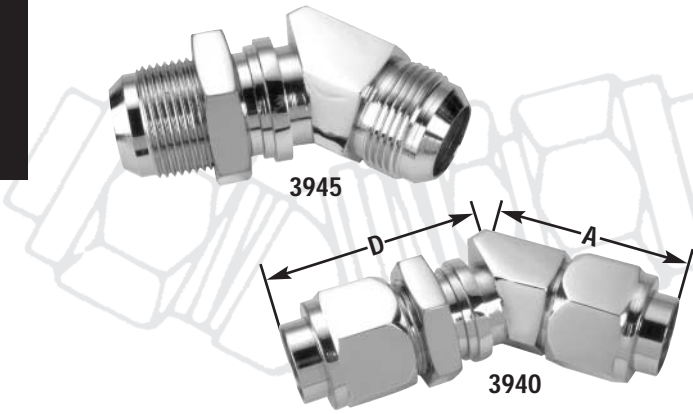
LENZ • P.O. BOX 1044 • DAYTON, OHIO 45401-1044 • PHONE: 937/277-9364 • FAX: 937/277-6516  
OFFICE & FACTORY • 3301 KLEPINGER ROAD • DAYTON, OHIO 45406-1842  
INTERNET: <http://www.lenzinc.com>



# 37° FLARE TUBE FITTINGS

T A P E R E D P I P E T H R E A D

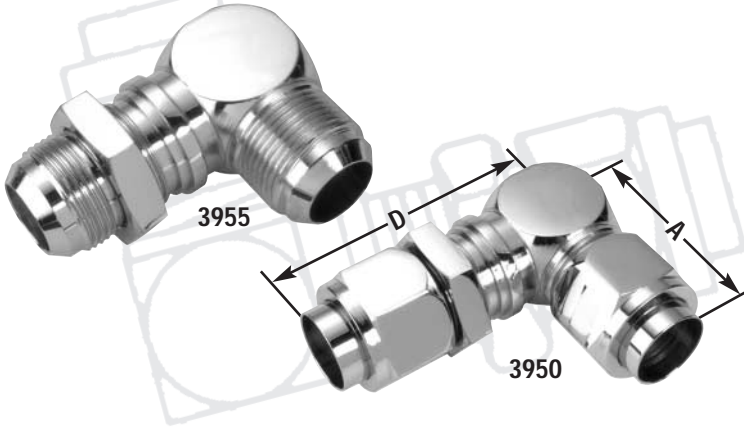
## 3945 / 3940 BULKHEAD 45° UNION ELBOW FLARE TUBE END - BOTH OPENINGS



### 3945 / 3940 • Bulkhead 45° Union Elbow

Body Only Part No.	Complete Assem. Part No.	Tube O.D.	Bulkhead Hole Diameter	"A" (Tube Leg)	"D" (Bulkhead Leg)
3945-4	3940-4	1/4"	15/32"	13/32"	23/32"
3945-5	3940-5	5/16"	17/32"	15/32"	25/32"
3945-6	3940-6	3/8"	19/32"	19/32"	213/32"
3945-8	3940-8	1/2"	25/32"	11/2"	223/32"
3945-10	3940-10	5/8"	29/32"	123/32"	33/32"
3945-12	3940-12	3/4"	13/32"	17/8"	311/32"
3945-14	3940-14	7/8"	17/32"	23/32"	317/32"
3945-16	3940-16	1"	111/32"	27/32"	321/32"
3945-20	3940-20	1 1/4"	121/32"	27/16"	41/16"
3945-24	3940-24	1 1/2"	129/32"	27/8"	415/32"

## 3955 / 3950 BULKHEAD UNION ELBOW FLARE TUBE END - BOTH OPENINGS

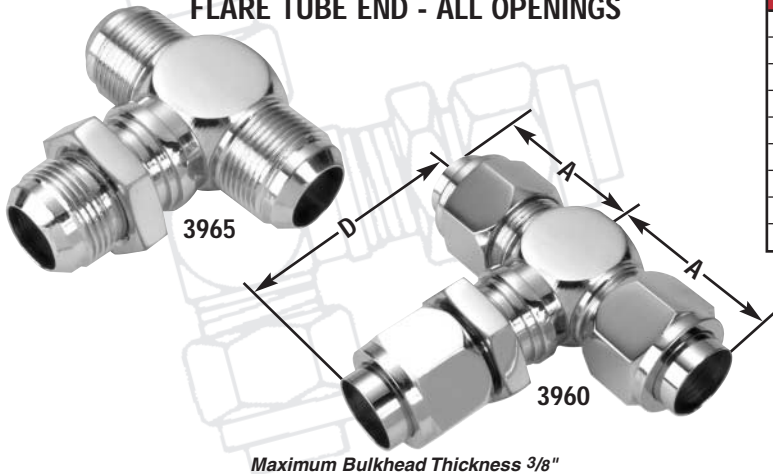


### 3955 / 3950 • Bulkhead Union Elbow

Body Only Part No.	Complete Assem. Part No.	Tube O.D.	Bulkhead Hole Diameter	"A" (Tube Leg)	"D" (Bulkhead Leg)
3955-4	3950-4	1/4"	15/32"	19/32"	23/32"
3955-5	3950-5	5/16"	17/32"	113/32"	25/32"
3955-6	3950-6	3/8"	19/32"	117/32"	113/32"
3955-8	3950-8	1/2"	25/32"	17/8"	223/32"
3955-10	3950-10	5/8"	29/32"	25/32"	33/32"
3955-12	3950-12	3/4"	13/32"	211/32"	311/32"
3955-14	3950-14	7/8"	17/32"	21/2"	317/32"
3955-16	3950-16	1"	111/32"	221/32"	321/32"
3955-20	3950-20	1 1/4"	121/32"	3"	41/16"
3955-24	3950-24	1 1/2"	129/32"	37/16"	419/32"
3955-32	3950-32	2"	217/32"	4 3/16"	51/4"

Maximum Bulkhead Thickness 3/8"

## 3965 / 3960 BULKHEAD TEE FLARE TUBE END - ALL OPENINGS



### 3965 / 3960 • Bulkhead Tee

Body Only Part No.	Complete Assem. Part No.	Tube O.D.	Bulkhead Hole Diameter	"A" (Tube Leg)	"D" (Bulkhead Leg)
3965-4	3960-4	1/4"	15/32"	19/32"	23/32"
3965-5	3960-5	5/16"	17/32"	113/32"	25/32"
3965-6	3960-6	3/8"	19/32"	117/32"	213/32"
3965-8	3960-8	1/2"	25/32"	17/8"	223/32"
3965-10	3960-10	5/8"	29/32"	25/32"	33/32"
3965-12	3960-12	3/4"	13/32"	211/32"	311/32"
3965-14	3960-14	7/8"	17/32"	21/2"	317/32"
3965-16	3960-16	1"	111/32"	221/32"	321/32"
3965-20	3960-20	1 1/4"	121/32"	3"	41/16"

For body only, change the last number preceding the dash of part number from 0 to 5. Example: 3100-12-12 becomes 3105-12-12.

Maximum Bulkhead Thickness 3/8"

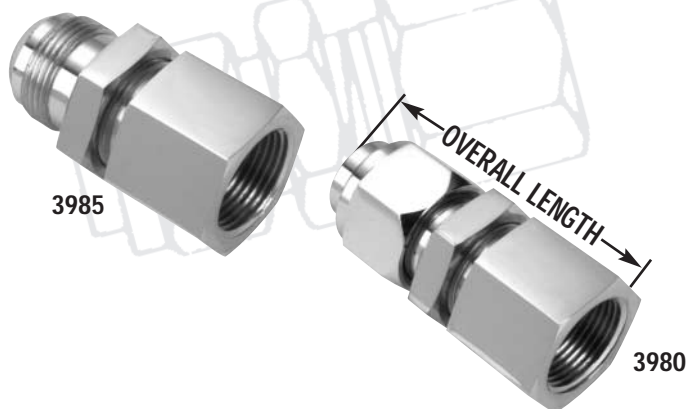
# 37° FLARE TUBE FITTINGS

T A P E R E D P I P E T H R E A D

## 3985 / 3980 • Female Bulkhead

Body Only Part No.	Complete Assem. Part No.	Tube O.D.	Female Pipe Thread	Bulkhead Hole Dia.	Overall Length
3985-4-2	3980-4-2	1/4"	1/8"	15/32"	2 <sup>9</sup> / <sub>32</sub> "
3985-4-4	3980-4-4	1/4"	1/4"	15/32"	2 <sup>15</sup> / <sub>32</sub> "
3985-5-2	3980-5-2	5/16"	1/8"	17/32"	2 <sup>5</sup> / <sub>16</sub> "
3985-6-4	3980-6-4	3/8"	1/4"	19/32"	2 <sup>5</sup> / <sub>8</sub> "
3985-6-6	3980-6-6	3/8"	3/8"	19/32"	2 <sup>23</sup> / <sub>32</sub> "
3985-8-6	3980-8-6	1/2"	3/8"	25/32"	2 <sup>29</sup> / <sub>32</sub> "
3985-8-8	3980-8-8	1/2"	1/2"	25/32"	3 <sup>1</sup> / <sub>8</sub> "
3985-10-8	3980-10-8	5/8"	1/2"	29/32"	3 <sup>11</sup> / <sub>32</sub> "
3985-12-12	3980-12-12	3/4"	3/4"	1 <sup>3</sup> / <sub>32</sub> "	3 <sup>19</sup> / <sub>32</sub> "
3985-14-12	3980-14-12	7/8"	3/4"	1 <sup>7</sup> / <sub>32</sub> "	3 <sup>21</sup> / <sub>32</sub> "
3985-16-16	3980-16-16	1"	1"	1 <sup>11</sup> / <sub>32</sub> "	3 <sup>7</sup> / <sub>8</sub> "
3985-20-20	3980-20-20	1 <sup>1</sup> / <sub>4</sub> "	1 <sup>1</sup> / <sub>4</sub> "	1 <sup>21</sup> / <sub>32</sub> "	4 <sup>1</sup> / <sub>8</sub> "
3985-24-24	3980-24-24	1 <sup>1</sup> / <sub>2</sub> "	1 <sup>1</sup> / <sub>2</sub> "	1 <sup>29</sup> / <sub>32</sub> "	4 <sup>11</sup> / <sub>32</sub> "
3985-32-32	3980-32-32	2"	2"	2 <sup>17</sup> / <sub>32</sub> "	4 <sup>27</sup> / <sub>32</sub> "

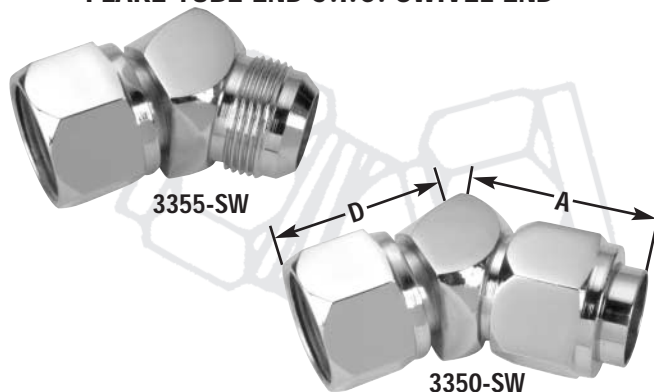
## 3985 / 3980 FEMALE BULKHEAD FLARE TUBE END-FEMALE PIPE END



## 3355-SW / 3350-SW • Swivel Nut 45° Elbow

Body Only Part No.	Complete Assembly Part No.	Tube O.D.	"A" (Tube Leg)	"D" (Swivel Leg)
3355SW-4	3350SW-4	1/4"	1 <sup>3</sup> / <sub>32</sub> "	1 <sup>5</sup> / <sub>16</sub> "
3355SW-5	3350SW-5	5/16"	1 <sup>5</sup> / <sub>32</sub> "	1"
3355SW-6	3350SW-6	3/8"	1 <sup>9</sup> / <sub>32</sub> "	1 <sup>1</sup> / <sub>8</sub> "
3355SW-8	3350SW-8	1/2"	1 <sup>1</sup> / <sub>2</sub> "	1 <sup>9</sup> / <sub>32</sub> "
3355SW-10	3350SW-10	5/8"	1 <sup>23</sup> / <sub>32</sub> "	1 <sup>7</sup> / <sub>16</sub> "
3355SW-12	3350SW-12	3/4"	1 <sup>7</sup> / <sub>8</sub> "	1 <sup>1</sup> / <sub>2</sub> "
3355SW-14	3350SW-14	7/8"	2 <sup>3</sup> / <sub>32</sub> "	1 <sup>5</sup> / <sub>8</sub> "
3355SW-16	3350SW-16	1"	2 <sup>7</sup> / <sub>32</sub> "	1 <sup>3</sup> / <sub>4</sub> "
3355SW-20	3350SW-20	1 <sup>1</sup> / <sub>4</sub> "	2 <sup>7</sup> / <sub>16</sub> "	2 <sup>1</sup> / <sub>32</sub> "
3355SW-24	3350SW-24	1 <sup>1</sup> / <sub>2</sub> "	2 <sup>7</sup> / <sub>8</sub> "	2 <sup>1</sup> / <sub>4</sub> "
3355SW-32	3350SW-32	2"	3 <sup>11</sup> / <sub>32</sub> "	2 <sup>29</sup> / <sub>32</sub> "

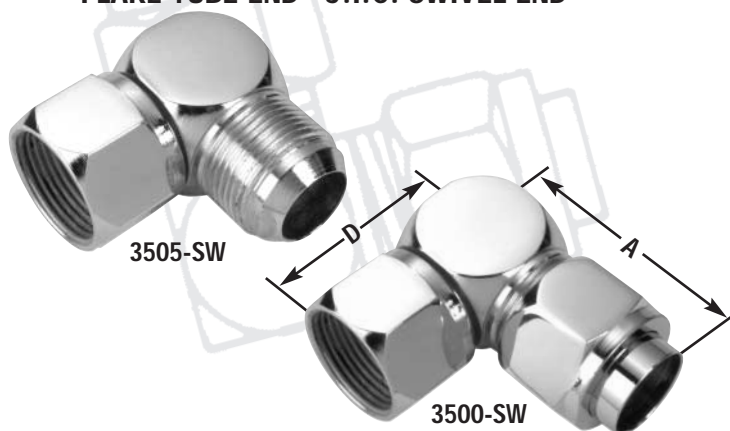
## 3355-SW / 3350-SW SWIVEL NUT 45° ELBOW FLARE TUBE END-J.I.C. SWIVEL END



## 3505-SW / 3500-SW • Swivel Nut Elbow

Body Only Part No.	Complete Assembly Part No.	Tube O.D.	"A" (Tube Leg)	"D" (Swivel Leg)
3505SW-4	3500SW-4	1/4"	1 <sup>9</sup> / <sub>32</sub> "	1"
3505SW-5	3500SW-5	5/16"	1 <sup>3</sup> / <sub>8</sub> "	1 <sup>1</sup> / <sub>16</sub> "
3505SW-6	3500SW-6	3/8"	1 <sup>17</sup> / <sub>32</sub> "	1 <sup>1</sup> / <sub>4</sub> "
3505SW-8	3500SW-8	1/2"	1 <sup>25</sup> / <sub>32</sub> "	1 <sup>3</sup> / <sub>8</sub> "
3505SW-10	3500SW-10	5/8"	2 <sup>3</sup> / <sub>32</sub> "	1 <sup>5</sup> / <sub>8</sub> "
3505SW-12	3500SW-12	3/4"	2 <sup>1</sup> / <sub>4</sub> "	1 <sup>3</sup> / <sub>4</sub> "
3505SW-14	3500SW-14	7/8"	2 <sup>7</sup> / <sub>16</sub> "	1 <sup>25</sup> / <sub>32</sub> "
3505SW-16	3500SW-16	1"	2 <sup>19</sup> / <sub>32</sub> "	2"
3505SW-20	3500SW-20	1 <sup>1</sup> / <sub>4</sub> "	2 <sup>29</sup> / <sub>32</sub> "	2 <sup>5</sup> / <sub>16</sub> "
3505SW-24	3500SW-24	1 <sup>1</sup> / <sub>2</sub> "	3 <sup>7</sup> / <sub>16</sub> "	2 <sup>19</sup> / <sub>32</sub> "
3505SW-32	3500SW-32	2"	4 <sup>3</sup> / <sub>16</sub> "	3 <sup>3</sup> / <sub>8</sub> "

## 3505-SW / 3500-SW SWIVEL NUT 90° ELBOW FLARE TUBE END - J.I.C. SWIVEL END



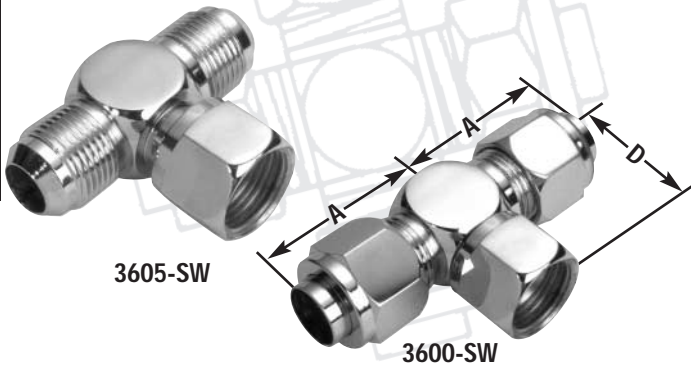
For body only, change the last number preceding the dash of part number from 0 to 5. Example: 3100-12-12 becomes 3105-12-12.

# 37° FLARE TUBE FITTINGS

T A P E R E D P I P E T H R E A D

## 3605-SW / 3600-SW

SWIVEL NUT BRANCH TEE FLARE TUBE END  
-FLARE TUBE END - J.I.C. SWIVEL SIDE OUTLET



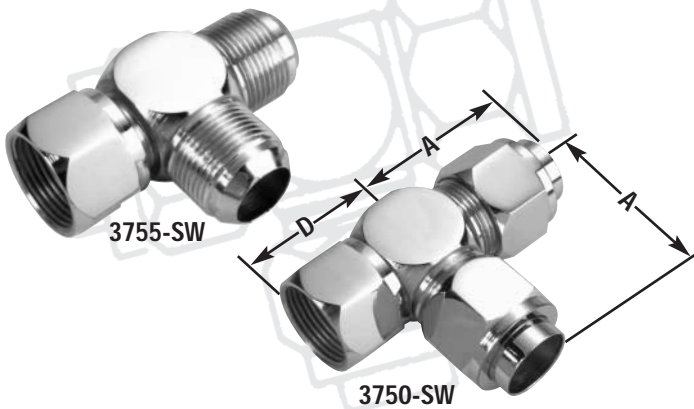
## 3605-SW / 3600-SW • Swivel Nut Branch Tee

Body Only Part No.	Complete Assembly Part No.	Tube O.D.	"A" (Tube Leg)	"D" (Swivel Leg)
3605SW-4	3600SW-4	1/4"	19/32"	1"
3605SW-5	3600SW-5	5/16"	13/8"	1 1/16"
3605SW-6	3600SW-6	3/8"	1 17/32"	1 1/4"
3605SW-8	3600SW-8	1/2"	1 25/32"	1 3/8"
3605SW-10	3600SW-10	5/8"	2 3/32"	1 5/8"
3605SW-12	3600SW-12	3/4"	2 1/4"	1 3/4"
3605SW-14	3600SW-14	7/8"	2 7/16"	1 25/32"
3605SW-16	3600SW-16	1"	2 19/32"	2"
3605SW-20	3600SW-20	1 1/4"	2 29/32"	2 5/16"
3605SW-24	3600SW-24	1 1/2"	3 7/16"	2 19/32"
3605SW-32	3600SW-32	2"	4 3/16"	3 3/8"

Example of Part No.: 3600-SW-12 for 3/4" O.D. Tubing

## 3755-SW / 3750-SW

SWIVEL NUT RUN TEE FLARE TUBE END  
-J.I.C. SWIVEL END - FLARE TUBE SIDE OUTLET



## 3755-SW / 3750-SW • Swivel Nut Run Tee

Body Only Part No.	Complete Assembly Part No.	Tube O.D.	"A" (Tube Leg)	"D" (Swivel Leg)
3755SW-4	3750SW-4	1/4"	19/32"	1"
3755SW-5	3750SW-5	5/16"	1 3/8"	1 1/16"
3755SW-6	3750SW-6	3/8"	1 17/32"	1 1/4"
3755SW-8	3750SW-8	1/2"	1 25/32"	1 3/8"
3755SW-10	3750SW-10	5/8"	2 3/32"	1 5/8"
3755SW-12	3750SW-12	3/4"	2 1/4"	1 3/4"
3755SW-14	3750SW-14	7/8"	2 7/16"	1 25/32"
3755SW-16	3750SW-16	1"	2 19/32"	2"
3755SW-20	3750SW-20	1 1/4"	2 29/32"	2 5/16"
3755SW-24	3750SW-24	1 1/2"	3 7/16"	2 19/32"
3755SW-32	3750SW-32	2"	4 3/16"	3 3/8"

## 3105-SW

MALE PIPE TO 37° FEMALE SWIVEL



## 3255-SW

FEMALE PIPE TO 37° FEMALE SWIVEL



Please indicate size: Example: 3105SW-8-8

## A3105-SW

O-RING S.A.E. TO 37° FEMALE SWIVEL



## A3405-SW

O-RING S.A.E. ADJUSTABLE TO 37° FEMALE SWIVEL ELBOW





# 37° FLARE TUBE FITTINGS

T A P E R E D P I P E T H R E A D

## LENZ SPECIAL SHAPES

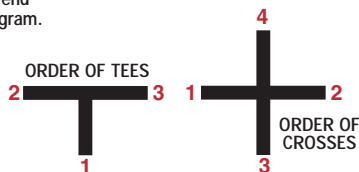
The Lenz Special Shapes shown are available in standard or special sizes. Only items priced in current supplementary price list are carried in stock. Price and delivery on non-stocked items furnished on request and will depend on quantity ordered. No quantity is too small for us to handle. We invite your inquiries. See pages 47 and 48 for information on fitting outlets.

*To Order Stainless Steel, Add SS to Part No.*

**How To Order Crosses** - Indicate part number followed by the tube end size First then the other ends in the order in the diagram.

**How To Order Tees** - Indicate part number, specify size of tube end First, opposite end Second and side outlet Third. See diagram.

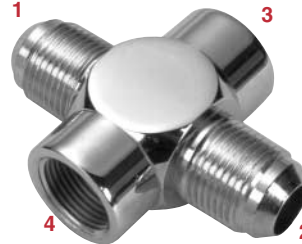
If there are two tube outlets, specify largest size First. If both female and male outlet on the run, show female size First. This would apply to our 3865 tees. Send pencil sketch if you prefer.



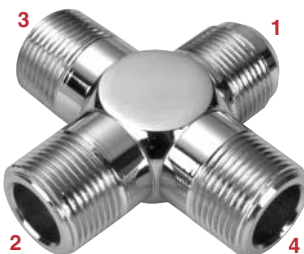
**3765 Cross**  
Flare Tube End-  
Flare Tube End-  
Male Pipe End-  
Male Pipe End



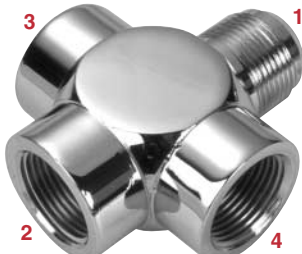
**3775 Cross**  
Flare Tube End-  
Flare Tube End-  
Female Pipe End-  
Female Pipe End



**3785 Cross**  
Flare Tube End-  
Male Pipe End-  
Male Pipe End-  
Male Pipe End



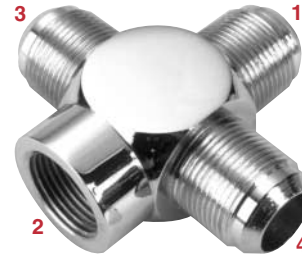
**3795 Cross**  
Flare Tube End-  
Female Pipe End-  
Female Pipe End-  
Female Pipe End



**3815 Male Cross**  
Flare Tube End-  
Flare Tube End-  
Flare Tube End-  
Male Pipe End



**3825 Female Cross**  
Flare Tube End-  
Flare Tube End-  
Flare Tube End-  
Female Pipe End



**3865 Tee**  
Female Pipe End-  
Male Pipe End-  
Flare Tube Side Outlet



**3875 Tee**  
Male Pipe End-  
Male Pipe End-  
Flare Tube Side Outlet



**3885 Tee**  
Flare Tube End-  
Female Pipe End-  
Male Pipe Side Outlet



**3895 Tee**  
Flare Tube End-  
Male Pipe End-  
Male Pipe Side Outlet



**3915 Tee**  
Flare Tube End-  
Male Pipe End-  
Female Pipe Side Outlet



**3925 Tee**  
Female Pipe End-  
Female Pipe End-  
Flare Tube Side Outlet



**3935 Tee**  
Flare Tube End-  
Female Pipe End-  
Female Pipe Side Outlet



**3995 Male Bulkhead**  
Flare Tube End-  
Male Pipe End



Maximum Bulkhead  
Thickness 3/8"

Note: Only items in current supplementary price list are carried in stock. Price and delivery of non-stock items furnished on request and will depend on quantity ordered.

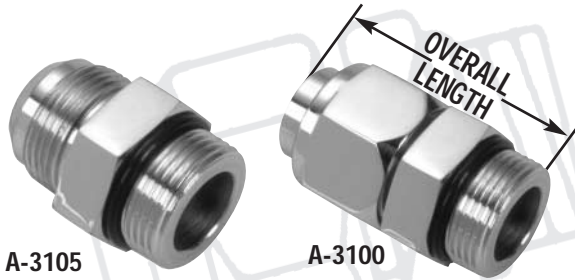
LENZ • P.O. BOX 1044 • DAYTON, OHIO 45401-1044 • PHONE: 937/277-9364 • FAX: 937/277-6516  
OFFICE & FACTORY • 3301 KLEPINGER ROAD • DAYTON, OHIO 45406-1842  
INTERNET: <http://www.lenzinc.com>



# 37° FLARE TUBE FITTINGS

S . A . E . S T R A I G H T T H R E A D

## A-3105 / A-3100 • MALE CONNECTOR FLARE TUBE END- S.A.E. STRAIGHT THREAD END



A-3105

A-3100

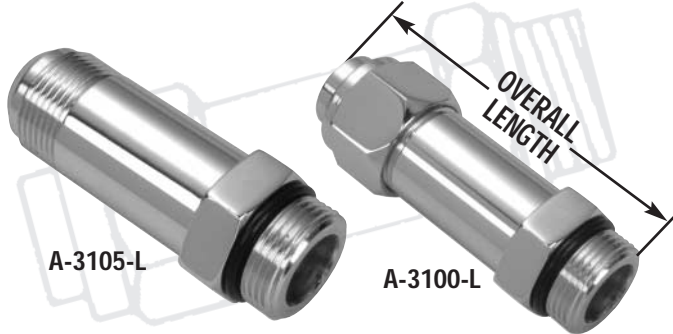
### How To Order 3 Piece Flare Straight Thread Assemblies

#### For Complete 3-Piece Assemblies

Use part number shown. For body only, change the last number preceding the dash from 0 to 5. Example: A-3100-12 Male Connector becomes A-3105-12 for Male Connector Body only.

*Note: To Order Stainless Steel Fittings Add SS To Part Number. Example: A-3350-12-SS.*

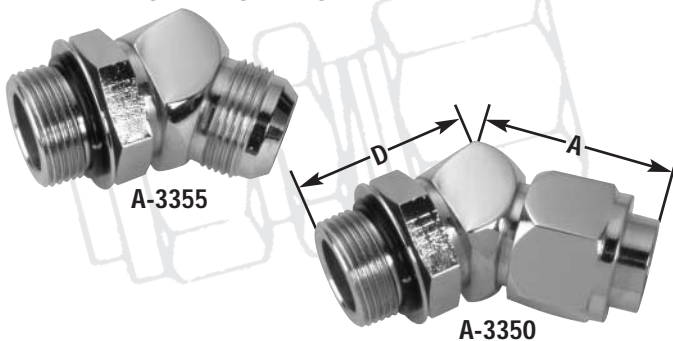
## A-3105-L / A-3100-L • LONG MALE CONNECTOR FLARE TUBE END S.A.E. STRAIGHT THREAD END



A-3105-L

A-3100-L

## A-3355 / A-3350 • MALE 45° ELBOW FLARE TUBE END S.A.E. STRAIGHT THREAD END



A-3355

A-3350

### A-3105 / A-3100 • Male Connector

Body Only Part No.	Complete Assembly Part No.	Tube O.D.	Straight Thread	Overall Length
A3105-4-4	A3100-4-4	1/4"	7/16"-20	15/8"
A3105-4-5	A3100-4-5	1/4"	1/2"-20	15/8"
A3105-4-6	A3100-4-6	1/4"	9/16"-18	12 <sup>1</sup> / <sub>32</sub> "
A3105-5-5	A3100-5-5	5/16"	1/2"-20	12 <sup>1</sup> / <sub>32</sub> "
A3105-6-6	A3100-6-6	3/8"	9/16"-18	125/32"
A3105-6-8	A3100-6-8	3/8"	3/4"-16	127/32"
A3105-6-10	A3100-6-10	3/8"	7/8"-14	13 <sup>1</sup> / <sub>32</sub> "
A3105-8-8	A3100-8-8	1/2"	3/4"-16	2 <sup>1</sup> / <sub>32</sub> "
A3105-8-6	A3100-8-6	1/2"	9/16"-18	115/16"
A3105-8-10	A3100-8-10	1/2"	7/8"-14	2 <sup>1</sup> / <sub>8</sub> "
A3105-8-12	A3100-8-12	1/2"	11/16"-12	27/32"
A3105-8-14	A3100-8-14	1/2"	13/16"-12	27/32"
A3105-10-10	A3100-10-10	5/8"	7/8"-14	21 <sup>1</sup> / <sub>32</sub> "
A3105-10-8	A3100-10-8	5/8"	3/4"-16	27/32"
A3100-10-12	A3100-10-12	5/8"	11/16"-12	27/16"
A3105-12-12	A3100-12-12	3/4"	11/16"-12	219/32"
A3105-12-8	A3100-12-8	3/4"	3/4"-16	215/32"
A3105-12-10	A3100-12-10	3/4"	7/8"-14	215/32"
A3105-12-14	A3100-12-14	3/4"	13/16"-12	25/8"
A3105-12-16	A3100-12-16	3/4"	15/16"-12	25/8"
A3105-14-14	A3100-14-14	7/8"	13/16"-12	223/32"
A3105-14-16	A3100-14-16	7/8"	15/16"-12	223/32"
A3105-16-16	A3100-16-16	1"	15/16"-12	225/32"
A3105-16-12	A3100-16-12	1"	11/16"-12	23/4"
A3105-16-20	A3100-16-20	1"	15/8"-12	213/16"
A3105-20-20	A3100-20-20	1 1/4"	15/8"-12	31/32"
A3105-20-16	A3100-20-16	1 1/4"	15/16"-12	231/32"
A3105-20-24	A3100-20-24	1 1/4"	17/8"-12	31/16"
A3105-24-24	A3100-24-24	1 1/2"	17/8"-12	37/16"
A3105-24-20	A3100-24-20	1 1/2"	15/8"-12	33/8"
A3105-32-32	A3100-32-32	2"	2 1/2"-12	329/32"

### A-3105-L / A-3100-L • Long Male Connector

Body Only Part No.	Complete Assem. Part No.	Tube O.D.	Straight Thread	Overall Length
A3105L-4	A3100L-4	1/4"	7/16"-20	25/16"
A3105L-5	A3100L-5	5/16"	1/2"-20	213/32"
A3105L-6	A3100L-6	3/8"	9/16"-18	221/32"
A3105L-8	A3100L-8	1/2"	3/4"-16	33/32"
A3105L-10	A3100L-10	5/8"	7/8"-14	323/32"
A3105L-12	A3100L-12	3/4"	1 1/8"-12	41/8"
A3105L-14	A3100L-14	7/8"	13/16"-12	43/8"
A3105L-16	A3100L-16	1"	15/16"-12	419/32"
A3105L-20	A3100L-20	1 1/4"	15/8"-12	511/32"
A3105L-24	A3100L-24	1 1/2"	17/8"-12	531/32"
A3105L-32	A3100L-32	2"	2 1/2"-12	615/16"

### A-3355 / A-3350 • Male 45° Elbow

Body Only Part No.	Complete Assem. Part No.	Tube O.D.	Straight Thread	"A" (Tube Leg)	"D" (Straight Thread Leg)
A3355-4	A3350-4	1/4"	7/16"-20	13/32"	11/32"
A3355-5	A3350-5	5/16"	1/2"-20	15/32"	11/32"
A3355-6	A3350-6	3/8"	9/16"-18	19/32"	11/8"
A3355-8	A3350-8	1/2"	3/4"-16	1 1/2"	19/32"
A3355-10	A3350-10	5/8"	7/8"-14	123/32"	11/2"
A3355-12	A3350-12	3/4"	11/16"-12	17/8"	123/32"
A3355-14	A3350-14	7/8"	13/16"-12	23/32"	125/32"
A3355-16	A3350-16	1"	15/16"-12	27/32"	127/32"
A3355-20	A3350-20	1 1/4"	15/8"-12	27/16"	129/32"
A3355-24	A3350-24	1 1/2"	17/8"-12	27/8"	129/32"
A3355-32	A3350-32	2"	2 1/2"-12	311/32"	127/32"

For body only, change the last number preceding the dash of part number from 0 to 5. Example: A-3350-12 becomes A-3355-12.

LENZ • P.O. BOX 1044 • DAYTON, OHIO 45401-1044 • PHONE: 937/277-9364 • FAX: 937/277-6516  
OFFICE & FACTORY • 3301 KLEPINGER ROAD • DAYTON, OHIO 45406-1842  
INTERNET: <http://www.lenzinc.com>

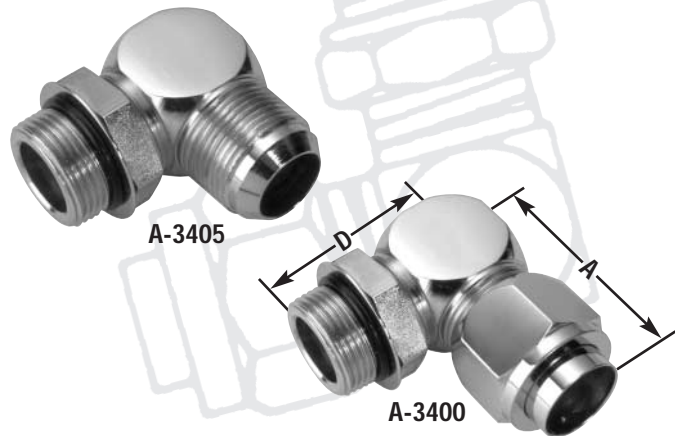
# 37° FLARE TUBE FITTINGS

S . A . E . S T R A I G H T T H R E A D

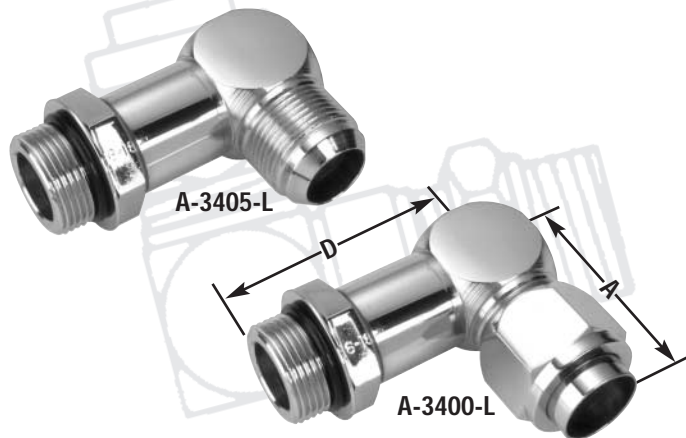
## A-3405 / A-3400 • Male Elbow

Body Only Part No.	Complete Assem. Part No.	Tube O.D.	Straight Thread	"A" (Tube Leg)	"D" Straight Thread Leg
A3405-4-4	A3400-4-4	1/4"	7/16"-20	19/32"	11/64"
A3405-4-6	A3400-4-6	1/4"	9/16"-18	111/32"	115/64"
A3405-5-5	A3400-5-5	5/16"	1/2"-20	13/8"	15/64"
A3405-6-6	A3400-6-6	3/8"	9/16"-18	117/32"	115/64"
A3405-6-4	A3400-6-4	3/8"	7/16"-20	117/32"	15/64"
A3405-6-8	A3400-6-8	3/8"	3/4"-16	15/8"	17/16"
A3405-6-10	A3400-6-10	3/8"	7/8"-14	111/16"	111/16"
A3405-8-8	A3400-8-8	1/2"	3/4"-16	125/32"	17/16"
A3405-8-6	A3400-8-6	1/2"	9/16"-18	125/32"	119/64"
A3405-8-10	A3400-8-10	1/2"	7/8"-14	127/32"	111/16"
A3405-8-12	A3400-8-12	1/2"	11/16"-12	2"	115/16"
A3405-10-10	A3400-10-10	5/8"	7/8"-14	23/32"	111/16"
A3405-10-8	A3400-10-8	5/8"	3/4"-16	23/32"	11/2"
A3405-10-12	A3400-10-12	5/8"	11/16"-12	27/32"	115/16"
A3405-12-12	A3400-12-12	3/4"	11/16"-12	21/4"	115/16"
A3405-12-10	A3400-12-10	3/4"	7/8"-14	21/4"	113/16"
A3405-12-16	A3400-12-16	3/4"	15/16"-12	213/32"	21/32"
A3405-14-14	A3400-14-14	7/8"	13/16"-12	27/16"	2"
A3405-16-16	A3400-16-16	1"	15/16"-12	219/32"	21/32"
A3405-16-12	A3400-16-12	1"	11/16"-12	219/32"	21/16"
A3405-20-20	A3400-20-20	1 1/4"	15/8"-12	229/32"	21/4"
A3405-24-24	A3400-24-24	1 1/2"	17/8"-12	37/16"	23/8"
A3405-24-20	A3400-24-20	1 1/2"	15/8"-12	37/16"	23/8"
A3405-32-32	A3400-32-32	2"	2 1/2"-12	43/16"	27/8"

## A-3405 / A-3400 • MALE ELBOW FLARE TUBE END S.A.E. STRAIGHT THREAD END



## A-3405-L / A-3400-L • LONG MALE ELBOW FLARE TUBE END S.A.E. STRAIGHT THREAD END



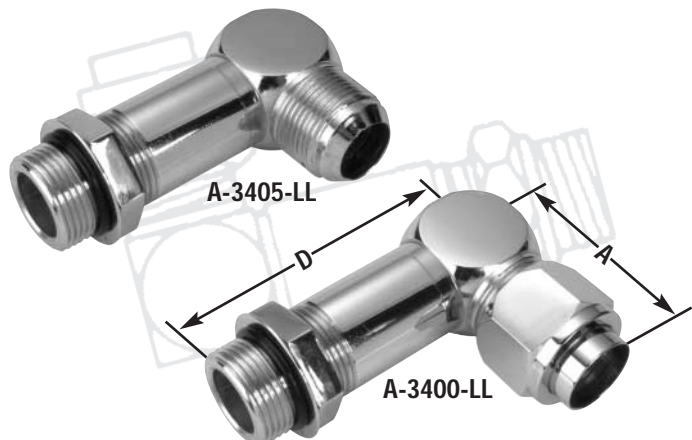
## A-3405-L / A-3400-L • Long Male Elbow

Body Only Part No.	Complete Assem. Part No.	Tube O.D.	Straight Thread	"A" (Tube Leg)	"D" Straight Thread Leg
A3405L-4	A3400L-4	1/4"	7/16"-20	19/32"	13/16"
A3405L-6	A3400L-6	3/8"	9/16"-18	117/32"	121/32"
A3405L-8	A3400L-8	1/2"	3/4"-16	125/32"	113/16"
A3405L-10	A3400L-10	5/8"	7/8"-14	23/32"	27/32"
A3405L-12	A3400L-12	3/4"	11/16"-12	21/4"	215/32"
A3405L-16	A3400L-16	1"	15/16"-12	219/32"	31/16"

## A-3405-LL / A-3400-LL • Extra Long Male Elbow

Body Only Part No.	Complete Assem. Part No.	Tube O.D.	Straight Thread	"A" (Tube Leg)	"D" Straight Thread Leg
A3405LL-4	A3400LL-4	1/4"	7/16"-20	19/32"	123/32"
A3405LL-6	A3400LL-6	3/8"	9/16"-18	117/32"	21/16"
A3405LL-8	A3400LL-8	1/2"	3/4"-16	125/32"	21/2"
A3405LL-10	A3400LL-10	5/8"	7/8"-14	23/32"	27/8"
A3405LL-12	A3400LL-12	3/4"	11/16"-12	21/4"	311/32"
A3405LL-16	A3400LL-16	1"	15/16"-12	219/32"	33/4"

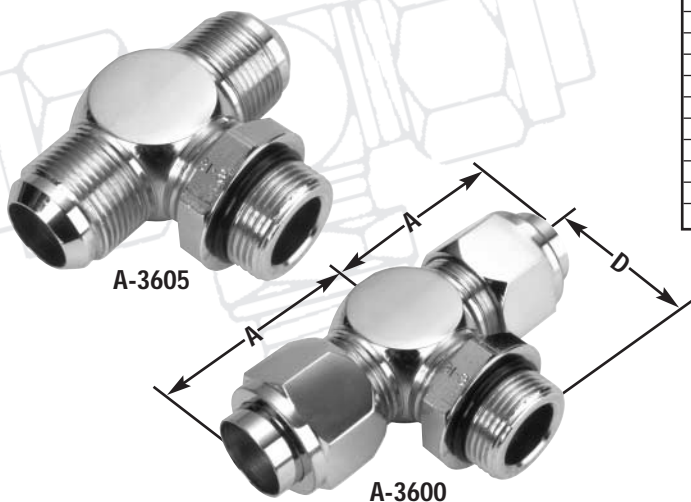
## A-3405-LL / A-3400-LL • EXTRA LONG MALE ELBOW FLARE TUBE END S.A.E. STRAIGHT THREAD END



# 37° FLARE TUBE FITTINGS

S . A . E . S T R A I G H T T H R E A D

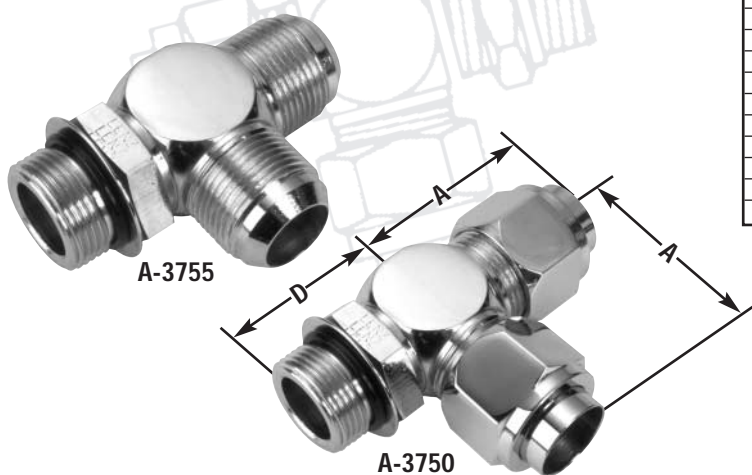
## A-3605 / A-3600 • MALE BRANCH TEE FLARE TUBE ENDS- S.A.E. STRAIGHT THREAD SIDE OUTLET



### A-3605 / A-3600 • Male Branch Tee

Body Only Part No.	Complete Assem. Part No.	Tube O.D.	Straight Thread	"A" (Tube Leg)	"D" Straight Thread Leg
A3605-4	A3600-4	1/4"	7/16"-20	19/32"	11/64"
A3605-5	A3600-5	5/16"	1/2"-20	13/8"	15/64"
A3605-6	A3600-6	3/8"	9/16"-18	117/32"	115/64"
A3605-8	A3600-8	1/2"	3/4"-16	125/32"	17/16"
A3605-10	A3600-10	5/8"	7/8"-14	23/32"	111/16"
A3605-12	A3600-12	3/4"	11/16"-12	21/4"	115/16"
A3605-14	A3600-14	7/8"	13/16"-12	27/16"	2"
A3605-16	A3600-16	1"	15/16"-12	219/32"	21/32"
A3605-20	A3600-20	1 1/4"	15/8"-12	229/32"	2 1/4"
A3605-24	A3600-24	1 1/2"	1 7/8"-12	37/16"	2 3/8"
A3605-32	A3600-32	2"	2 1/2"-12	43/16"	2 7/8"

## A-3755 / A-3750 • MALE RUN TEE FLARE TUBE END-S.A.E. STRAIGHT THREAD END-FLARE TUBE SIDE OUTLET



### A3755 / A3750 • Male Run Tee

Body Only Part No.	Complete Assem. Part No.	Tube O.D.	Straight Thread	"A" (Tube Leg)	"D" Straight Thread Leg
A3755-4	A3750-4	1/4"	7/16"-20	19/32"	11/164"
A3755-5	A3750-5	5/16"	1/2"-20	13/8"	15/64"
A3755-6	A3750-6	3/8"	9/16"-18	117/32"	115/64"
A3755-8	A3750-8	1/2"	3/4"-16	125/32"	17/16"
A3755-10	A3750-10	5/8"	7/8"-14	23/32"	111/16"
A3755-12	A3750-12	3/4"	11/16"-12	21/4"	115/32"
A3755-14	A3750-14	7/8"	13/16"-12	27/16"	2"
A3755-16	A3750-16	1"	15/16"-12	219/32"	21/32"
A3755-20	A3750-20	1 1/4"	15/8"-12	229/32"	2 1/4"
A3755-24	A3750-24	1 1/2"	1 7/8"-12	37/16"	2 3/8"
A3755-32	A3750-32	2"	2 1/2"-12	43/16"	2 7/8"

All Lenz Fittings  
Conform to J.I.C.  
Hydraulic Standards

For body only, change the last number preceding the dash of part number from 0 to 5. Example: A-3350-12 becomes A-3355-12.

LENZ • P.O. BOX 1044 • DAYTON, OHIO 45401-1044 • PHONE: 937/277-9364 • FAX: 937/277-6516  
OFFICE & FACTORY • 3301 KLEPINGER ROAD • DAYTON, OHIO 45406-1842  
INTERNET: <http://www.lenzinc.com>

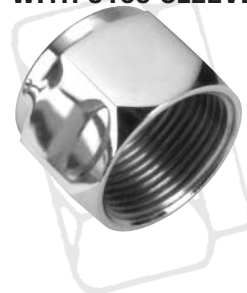
# COMPONENTS & ACCESSORIES

## NUTS & SLEEVES

### 3205 • Tube Nut 3-Piece Type Used With 3165 Sleeve

Part No.	Tube O.D.	J.I.C. Thread	Hex Size	Length
3205-2	1/8"	5/16"-24	3/8"	17/32"
3205-3	3/16"	3/8"-24	1/2"	19/32"
3205-4	1/4"	7/16"-20	9/16"	5/8"
3205-5	5/16"	1/2"-20	5/8"	11/16"
3205-6	3/8"	9/16"-18	11/16"	23/32"
3205-8	1/2"	3/4"-16	7/8"	27/32"
3205-10	5/8"	7/8"-14	1"	31/32"
3205-12	3/4"	1 1/16"-12	1 1/4"	1 1/32"
3205-14	7/8"	1 3/16"-12	1 3/8"	1 3/32"
3205-16	1"	1 5/16"-12	1 1/2"	1 1/8"
3205-20	1 1/4"	1 5/8"-12	2"	1 7/32"
3205-24	1 1/2"	1 7/8"-12	2 1/4"	1 13/32"
3205-32	2"	2 1/2"-12	2 7/8"	1 3/4"

**3205**  
TUBE NUT 3-PIECE TYPE USED WITH 3165 SLEEVE



### 3165 • Tube Sleeve Used With 3205 Nut

Part No.	Tube O.D.	Length
3165-2	1/8"	11/32"
3165-3	3/16"	11/32"
3165-4	1/4"	13/32"
3165-5	5/16"	7/16"
3165-6	3/8"	1/2"
3165-8	1/2"	9/16"
3165-10	5/8"	21/32"
3165-12	3/4"	11/16"
3165-14	7/8"	3/4"
3165-16	1"	25/32"
3165-20	1 1/4"	29/32"
3165-24	1 1/2"	1 1/8"
3165-32	2"	1 3/16"

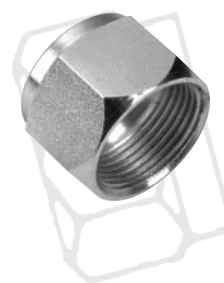
**3165 • TUBE SLEEVE**  
USED WITH 3205 NUT



### 2205-S • Two Piece Tube Short Nut

Part No.	Tube O.D.	J.I.C. Thread	Hex Size	Length
2205S-4	1/4"	7/16"-20	9/16"	9/16"
2205S-5	5/16"	1/2"-20	5/8"	19/32"
2205S-6	3/8"	9/16"-18	11/16"	39/64"
2205S-8	1/2"	3/4"-16	7/8"	3/4"
2205S-10	5/8"	7/8"-14	1"	7/8"
2205S-12	3/4"	1 1/16"-12	1 1/4"	31/32"
2205S-14	7/8"	1 3/16"-12	1 3/8"	1 1/8"
2205S-16	1"	1 5/16"-12	1 1/2"	1 1/8"
2205S-20	1 1/4"	1 5/8"-12	2"	1 1/4"
2205S-24	1 1/2"	1 7/8"-12	2 1/4"	1 1/2"
2205S-32	2"	2 1/2"-12	2 7/8"	1 7/8"

**2205-S**  
TWO PIECE TUBE SHORT NUT



### 2205 • Two Piece Tube Nut

Part No.	Tube O.D.	J.I.C. Thread	Hex Size	Length
2205-4	1/4"	7/16"-20	9/16"	23/32"
2205-5	5/16"	1/2"-20	5/8"	13/16"
2205-6	3/8"	9/16"-18	11/16"	7/8"
2205-8	1/2"	3/4"-16	7/8"	13/32"
2205-10	5/8"	7/8"-14	1"	19/32"
2205-12	3/4"	1 1/16"-12	1 1/4"	1 15/32"
2205-14	7/8"	1 3/16"-12	1 3/8"	1 11/16"
2205-16	1"	1 5/16"-12	1 1/2"	1 25/32"
2205-20	1 1/4"	1 5/8"-12	2"	2 3/32"
2205-24	1 1/2"	1 7/8"-12	2 1/4"	2 1/4"
2205-32	2"	2 1/2"-12	2 7/8"	3"

**2205**  
TWO PIECE TUBE NUT





# 37° FLARE TUBE FITTINGS

C O M P O N E N T S

## 3208 37° FLARE BULKHEAD NUT



### 3208 • 37° Flare Bulkhead Nut

Part No.	Tube O.D.	J.I.C. Thread	Hex Size	Length
3208-4	1/4"	7/16"-20	11/16"	1/4"
3208-5	5/16"	1/2"-20	3/4"	1/4"
3208-6	3/8"	9/16"-18	13/16"	17/64"
3208-8	1/2"	3/4"-16	1"	5/16"
3208-10	5/8"	7/8"-14	1 1/8"	23/32"
3208-12	3/4"	1 1/16"-12	1 3/8"	13/32"
3208-14	7/8"	1 3/16"-12	1 1/2"	13/32"
3208-16	1"	1 5/16"-12	1 5/8"	13/32"
3208-20	1 1/4"	1 5/8"-12	1 7/8"	13/32"
3208-24	1 1/2"	1 7/8"-12	2 1/8"	13/32"
3208-32	2"	2 1/2"-12	2 3/4"	13/32"

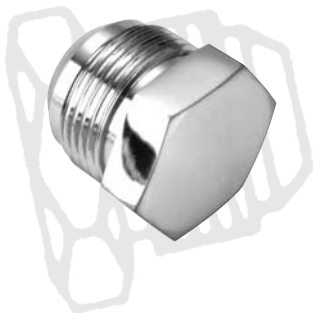
## 2205-C • CAP NUT TO CAP FLARED FITTING TUBE END



### 2205-C • Cap Nut to Cap Flared Fitting Tube End

Part No.	Tube O.D.	J.I.C. Thread	Hex Size	Length
2205C-2	1/8"	5/16"-24	3/8"	1/2"
2205C-3	3/16"	3/8"-24	1/2"	9/16"
2205C-4	1/4"	7/16"-20	9/16"	19/32"
2205C-5	5/16"	1/2"-20	5/8"	39/64"
2205C-6	3/8"	9/16"-18	11/16"	5/8"
2205C-8	1/2"	3/4"-16	7/8"	3/4"
2205C-10	5/8"	7/8"-14	1"	27/32"
2205C-12	3/4"	1 1/16"-12	1 1/4"	29/32"
2205C-14	7/8"	1 3/16"-12	1 3/8"	31/32"
2205C-16	1"	1 5/16"-12	1 1/2"	1 1/16"
2205C-20	1 1/4"	1 5/8"-12	2"	1 1/16"
2205C-24	1 1/2"	1 7/8"-12	1 1/4"	1 3/16"
2205C-32	2"	2 1/2"-12	2 7/8"	1 7/16"

## 3105-P • TUBE PLUG SCREWS INTO NUT TO PLUG LINE



### 3105-P • Tube Plug Screws Into Nut to Plug Line

Part No.	Tube O.D.	J.I.C. Thread	Hex Size	Length
3105P-4	1/4"	7/16"-20	1/2"	47/64"
3105P-5	5/16"	1/2"-20	9/16"	49/64"
3105P-6	3/8"	9/16"-18	5/8"	13/16"
3105P-8	1/2"	3/4"-16	13/16"	15/16"
3105P-10	5/8"	7/8"-14	1 5/16"	1 7/64"
3105P-12	3/4"	1 1/16"-12	1 1/8"	1 13/64"
3105P-14	7/8"	1 3/16"-12	1 1/4"	1 15/64"
3105P-16	1"	1 5/16"-12	1 3/8"	1 9/32"
3105P-20	1 1/4"	1 5/8"-12	1 11/16"	1 25/64"
3105P-24	1 1/2"	1 7/8"-12	2"	1 31/64"
3105P-32	2"	2 1/2"-12	2 5/8"	2 3/64"

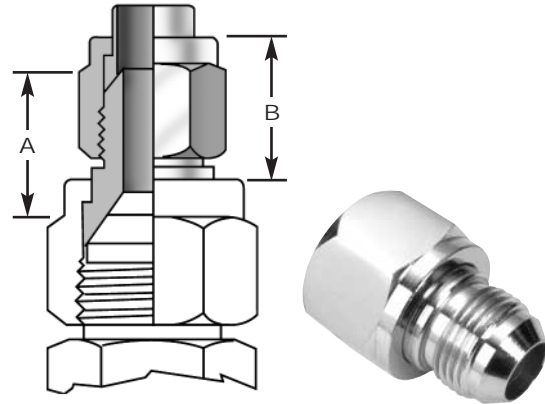
# ADAPTERS

## STEEL PIPE FITTINGS

### 3145 / 3140 • Flare Tube End Reducers

Reducer Only	Part No.	Tube End Reduction	"A" Length Between Flare Noses	"B" Length Between Nut Shoulders
3145-5-4	3140-5-4	5/16" To 1/4"	13/16"	23/32"
3145-6-4	3140-6-4	3/8" To 1/4"	29/32"	27/32"
3145-8-4	3140-8-4	1/2" To 1/4"	29/32"	25/32"
3145-8-5	3140-8-5	1/2" To 5/16"	29/32"	27/32"
3145-8-6	3140-8-6	1/2" To 3/8"	29/32"	27/32"
3145-10-4	3140-10-4	5/8" To 1/4"	15/16"	3/4"
3145-10-6	3140-10-6	5/8" To 3/8"	15/16"	13/16"
3145-10-8	3140-10-8	5/8" To 1/2"	1"	31/32"
3145-12-4	3140-12-4	3/4" To 1/4"	31/32"	7/8"
3145-12-6	3140-12-6	3/4" To 3/8"	31/32"	29/32"
3145-12-8	3140-12-8	3/4" To 1/2"	11/16"	11/32"
3145-12-10	3140-12-10	3/4" To 5/8"	11/32"	11/8"
3145-14-6	3140-14-6	7/8" To 3/8"	1"	7/8"
3145-14-8	3140-14-8	7/8" To 1/2"	13/32"	1"
3145-14-10	3140-14-10	7/8" To 5/8"	13/16"	15/32"
3145-14-12	3140-14-12	7/8" To 3/4"	17/32"	13/16"
3145-16-5	3140-16-5	1" To 5/16"	1"	29/32"
3145-16-6	3140-16-6	1" To 3/8"	11/32"	7/8"
3145-16-8	3140-16-8	1" To 1/2"	15/32"	11/32"
3145-16-10	3140-16-10	1" To 5/8"	11/4"	13/16"
3145-16-12	3140-16-12	1" To 3/4"	111/32"	11/4"
3145-20-8	3140-20-8	11/4" To 1/2"	13/16"	11/8"
3145-20-12	3140-20-12	11/4" To 3/4"	113/32"	19/32"
3145-20-16	3140-20-16	11/4" To 1"	17/16"	113/32"
3145-24-8	3140-24-8	11/2" To 1/2"	15/16"	11/16"
3145-24-10	3140-24-10	11/2" To 5/8"	11/2"	17/32"
3145-24-12	3140-24-12	11/2" To 3/4"	11/2"	11/4"
3145-24-16	3140-24-16	11/2" To 1"	111/16"	13/8"
3145-24-20	3140-24-20	11/2" To 11/4"	19/16"	17/16"
3145-32-16	3140-32-16	2" To 1"	19/16"	17/16"
3145-32-20	3140-32-20	2" To 11/4"	111/16"	11/2"
3145-32-24	3140-32-24	2" To 11/2"	113/16"	13/4"

### 3140 FLARE TUBE END REDUCERS



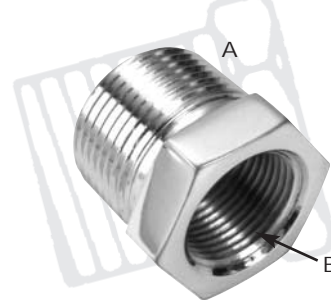
Lenz Flare Tube End Reducers make possible line reductions on any leg by use of standard adapters. Saves time and simplifies tubing systems. Eliminates large inventory of special fittings and sizes and possibility of obsolescence.

Part numbers shown in table include body, nut and sleeve. For reducers without nut and sleeve order by Part Number 3145.

### HB • Hex Bushings

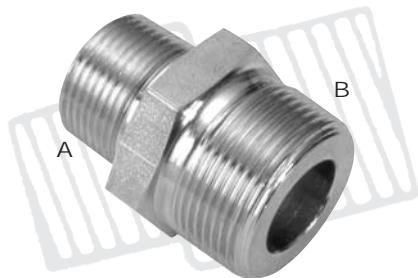
Part No.	"A" Male Pipe Thread	"B" Female Pipe Thread	Hex Size	Length
4-2HB	1/4"	1/8"	5/8"	27/32"
6-2HB	3/8"	1/8"	3/4"	27/32"
6-4HB	3/8"	1/4"	3/4"	27/32"
8-2HB	1/2"	1/8"	7/8"	17/64"
8-4HB	1/2"	1/4"	7/8"	17/64"
8-6HB	1/2"	3/8"	7/8"	17/64"
12-2HB	3/4"	1/8"	11/8"	13/16"
12-4HB	3/4"	1/4"	11/8"	13/16"
12-6HB	3/4"	3/8"	11/8"	13/16"
12-8HB	3/4"	1/2"	11/8"	111/64"
16-4HB	1"	1/4"	13/8"	123/64"
16-6HB	1"	3/8"	13/8"	123/64"
16-8HB	1"	1/2"	13/8"	123/64"
16-12HB	1"	3/4"	13/8"	123/64"
20-4HB	11/4"	1/4"	13/4"	115/32"
20-6HB	11/4"	3/8"	13/4"	115/32"
20-8HB	11/4"	1/2"	13/4"	115/32"
20-12HB	11/4"	3/4"	13/4"	115/32"
20-16HB	11/4"	1"	13/4"	115/32"
24-4HB	11/2"	1/4"	2"	137/64"
24-6HB	11/2"	3/8"	2"	137/64"
24-8HB	11/2"	1/2"	2"	137/64"
24-12HB	11/2"	3/4"	2"	137/64"
24-16HB	11/2"	1"	2"	137/64"
24-20HB	11/2"	11/4"	2"	137/64"
32-6HB	2"	3/8"	21/2"	13/4"
32-8HB	2"	1/2"	21/2"	13/4"
32-12HB	2"	3/4"	21/2"	13/4"
32-16HB	2"	1"	21/2"	13/4"
32-20HB	2"	11/4"	21/2"	13/4"
32-24HB	2"	11/2"	21/2"	13/4"

### HB HEX BUSHINGS



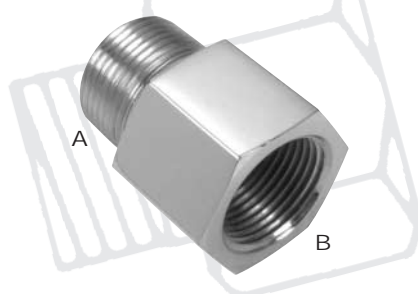
## ADAPTERS

## T A P E R E D P I P E T H R E A D

RPN  
REDUCING  
PIPE NIPPLES

## RPN • Reducing Pipe Nipples

Part No.	"A" Male Pipe Thread	"B" Male Pipe Thread	Hex Size	Length
2-4RPN	1/8"	1/4"	9/16"	17/32"
2-6RPN	1/8"	3/8"	11/16"	11/4"
4-6RPN	1/4"	3/8"	11/16"	113/32"
4-8RPN	1/4"	1/2"	7/8"	15/8"
6-8RPN	3/8"	1/2"	7/8"	15/8"
6-12RPN	3/8"	3/4"	11/16"	111/16"
8-12RPN	1/2"	3/4"	11/16"	17/8"
8-16RPN	1/2"	1"	13/8"	23/32"
12-16RPN	3/4"	1"	13/8"	23/32"
12-20RPN	3/4"	1 1/4"	13/4"	23/32"
16-20RPN	1"	1 1/4"	13/4"	2 11/32"
16-24RPN	1"	1 1/2"	2"	27/16"
20-24RPN	1 1/4"	1 1/2"	2"	2 15/32"
20-32RPN	1 1/4"	2"	2 1/2"	2 21/32"
24-32RPN	1 1/2"	2"	2 1/2"	2 11/16"

PRC  
PIPE REDUCING  
CONNECTORS

## PRC • Pipe Reducing Connectors

Part No.	"A" Male Pipe Thread	"B" Female Pipe Thread	Hex Size	Length
2-4PRC	1/8"	1/4"	3/4"	13/32"
2-6PRC	1/8"	3/8"	7/8"	19/32"
4-4PRC	1/4"	1/4"	3/4"	15/16"
4-2PRC	1/4"	1/8"	5/8"	1"
4-6PRC	1/4"	3/8"	7/8"	11/2"
4-8PRC	1/4"	1/2"	11/8"	15/8"
6-6PRC	3/8"	3/8"	7/8"	13/8"
6-4PRC	3/8"	1/4"	3/4"	11/4"
6-8PRC	3/8"	1/2"	11/8"	15/8"
6-12PRC	3/8"	3/4"	13/8"	13/4"
8-8PRC	1/2"	1/2"	11/8"	113/16"
8-4PRC	1/2"	1/4"	7/8"	11/2"
8-6PRC	1/2"	3/8"	7/8"	111/16"
8-12PRC	1/2"	3/4"	13/8"	115/16"
8-16PRC	1/2"	1"	15/8"	23/16"
12-12PRC	3/4"	3/4"	13/8"	127/32"
12-6PRC	3/4"	3/8"	11/16"	11/2"
12-8PRC	3/4"	1/2"	11/8"	19/16"
12-16PRC	3/4"	1"	15/8"	23/16"
12-20PRC	3/4"	1 1/4"	2"	2 11/32"
16-16PRC	1"	1"	15/8"	21/4"
16-8PRC	1"	1/2"	13/8"	15/8"
16-12PRC	1"	3/4"	13/8"	115/16"
16-20PRC	1"	1 1/4"	2"	2 13/32"
20-20PRC	1 1/4"	1 1/4"	2"	23/8"
20-12PRC	1 1/4"	3/4"	13/4"	2"
20-16PRC	1 1/4"	1"	13/4"	21/8"
20-24PRC	1 1/4"	1 1/2"	23/8"	29/16"
24-24PRC	1 1/2"	1 1/2"	23/8"	2 13/32"
24-20PRC	1 1/2"	1 1/4"	2"	21/4"
24-32PRC	1 1/2"	2"	3"	23/4"
32-32PRC	2"	2"	3"	23/4"
32-20PRC	2"	1 1/4"	2 1/2"	23/8"

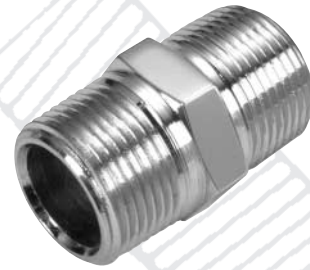
# ADAPTERS

## TAPERED PIPE THREADS

### PN • Pipe Nipples

Part No.	Male Pipe Thread	Hex Size	Length	Bore
2PN	1/8"	7/16"	15/16"	3/16"
4PN	1/4"	9/16"	13/8"	9/32"
6PN	3/8"	11/16"	1 13/32"	13/32"
8PN	1/2"	7/8"	1 13/16"	35/64"
12PN	3/4"	1 1/16"	1 7/8"	23/32"
16PN	1"	1 3/8"	2 7/32"	15/16"
20PN	1 1/4"	1 3/4"	2 13/32"	1 1/4"
24PN	1 1/2"	2"	2 19/32"	1 15/32"
32PN	2"	2 1/2"	2 13/16"	1 3/4"

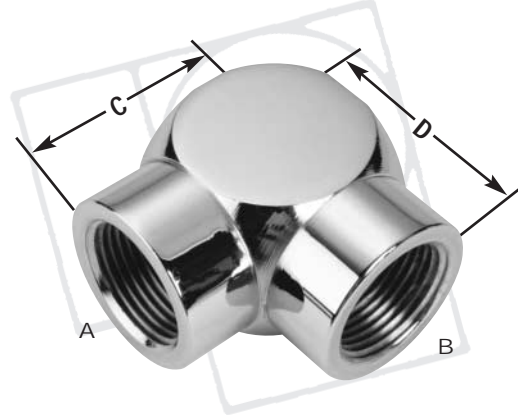
### PN PIPE NIPPLES



### FPE • Female Pipe Elbows

Part No.	"A" Female Pipe Thread	"B" Female Pipe Thread	"C" Female Pipe Leg	"D" Female Pipe Leg
2-2FPE	1/8"	1/8"	21/32"	21/32"
2-4FPE	1/8"	1/4"	25/32"	29/32"
2-6FPE	1/8"	3/8"	27/32"	31/32"
4-4FPE	1/4"	1/4"	29/32"	29/32"
4-6FPE	1/4"	3/8"	31/32"	31/32"
4-8FPE	1/4"	1/2"	1 1/32"	1 1/4"
6-6FPE	3/8"	3/8"	31/32"	31/32"
6-8FPE	3/8"	1/2"	1 1/32"	1 1/4"
6-12FPE	3/8"	3/4"	1 5/32"	1 11/32"
8-8FPE	1/2"	1/2"	1 1/4"	1 1/4"
8-12FPE	1/2"	3/4"	1 3/8"	1 11/32"
8-16FPE	1/2"	1"	1 9/16"	1 5/8"
12-12FPE	3/4"	3/4"	1 11/32"	1 11/32"
12-16FPE	3/4"	1"	1 17/32"	1 5/8"
12-20FPE	3/4"	1 1/4"	2 3/32"	1 11/16"
16-16FPE	1"	1"	1 5/8"	1 5/8"
16-20FPE	1"	1 1/4"	1 13/16"	1 11/16"
16-24FPE	1"	1 1/2"	1 15/16"	2 1/16"
20-20FPE	1 1/4"	1 1/4"	1 11/16"	1 11/16"
20-24FPE	1 1/4"	1 1/2"	1 13/16"	2 1/16"
24-24FPE	1 1/2"	1 1/2"	2 1/16"	2 1/16"
32-32FPE	2"	2"	2 3/8"	2 3/8"

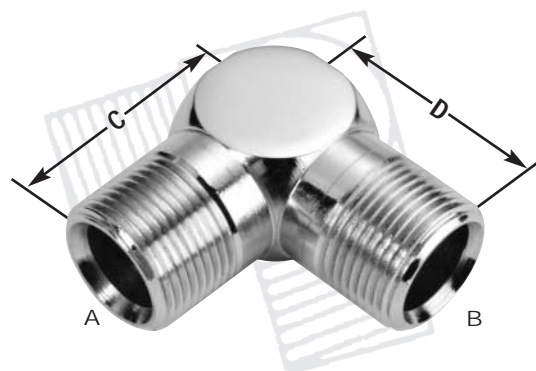
### FPE FEMALE PIPE ELBOWS



### MPE • Male Pipe Elbows

Part No.	"A" Male Pipe Thread	"B" Male Pipe Thread	"C" Male Pipe Leg	"D" Male Pipe Leg
2-2MPE	1/8"	1/8"	25/32"	25/32"
2-4MPE	1/8"	1/4"	27/32"	13/32"
4-4MPE	1/4"	1/4"	13/32"	13/32"
4-6MPE	1/4"	3/8"	15/32"	17/32"
6-6MPE	3/8"	3/8"	17/32"	17/32"
6-8MPE	3/8"	1/2"	19/32"	1 15/32"
8-8MPE	1/2"	1/2"	1 15/32"	1 15/32"
8-12MPE	1/2"	3/8"	1 19/32"	1 19/32"
12-12MPE	3/4"	3/4"	1 19/32"	1 19/32"
12-16MPE	3/4"	1"	2 3/32"	1 31/32"
16-16MPE	1"	1"	1 31/32"	1 31/32"
20-20MPE	1 1/4"	1 1/4"	2 3/8"	2 3/8"
24-24MPE	1 1/2"	1 1/2"	2 5/8"	2 5/8"
32-32MPE	2"	2"	3"	3"

### MPE MALE PIPE ELBOWS





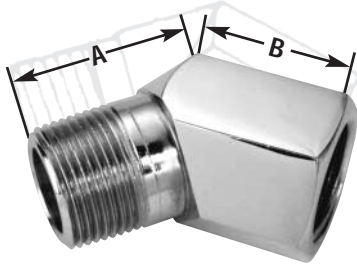
# ADAPTERS

## TAPERED PIPE THREAD

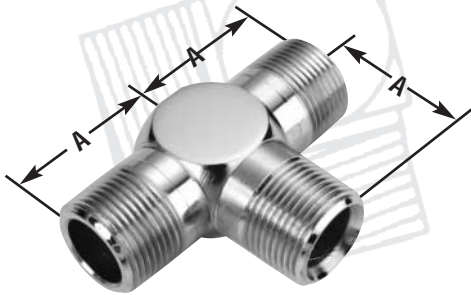
**SE**  
**STREET ELBOWS**



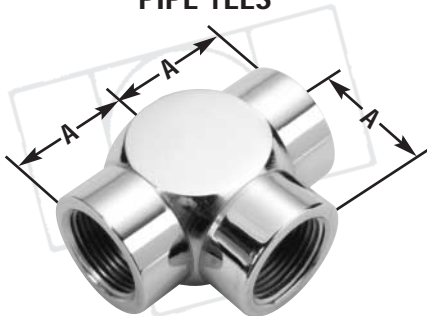
**45 SE**  
**45° STREET ELBOWS**



**MPT**  
**MALE PIPE TEE**



**PT**  
**PIPE TEES**



**SE • Street Elbows**

Part No.	Male Pipe Thread	Female Pipe Thread	"A" Male Pipe Leg	"B" Female Pipe Leg
2-2SE	1/8"	1/8"	13/16"	21/32"
2-4SE	1/8"	1/4"	15/16"	29/32"
2-6SE	1/8"	3/8"	1"	31/32"
4-4SE	1/4"	1/4"	13/16"	29/32"
4-2SE	1/4"	1/8"	11/16"	21/32"
4-6SE	1/4"	3/8"	11/4"	31/32"
6-6SE	3/8"	3/8"	15/16"	31/32"
6-4SE	3/8"	1/4"	13/16"	29/32"
6-8SE	3/8"	1/2"	13/8"	11/4"
8-8SE	1/2"	1/2"	11/2"	11/4"
8-6SE	1/2"	3/8"	17/16"	31/32"
8-12SE	1/2"	3/4"	15/8"	111/32"
12-12SE	3/4"	3/4"	121/32"	111/32"
12-8SE	3/4"	1/2"	117/32"	11/4"
12-16SE	3/4"	1"	125/32"	15/8"
16-16SE	1"	1"	21/16"	15/8"
16-12SE	1"	3/4"	17/8"	111/32"
16-20SE	1"	11/4"	29/32"	111/16"
20-20SE	11/4"	11/4"	21/2"	111/16"
24-24SE	11/2"	11/2"	23/4"	21/16"
32-32SE	2"	2"	31/8"	23/8"

**45 • SE 45° Street Elbows**

Part No.	Male Pipe Thread	Female Pipe Thread	"A" Male Pipe Leg	"B" Female Pipe Leg
2-45SE	1/8"	1/8"	11/16"	5/8"
4-45SE	1/4"	1/4"	15/16"	27/32"
6-45SE	3/8"	3/8"	1"	31/32"
8-45SE	1/2"	1/2"	11/4"	13/32"
12-45SE	3/4"	3/4"	111/32"	11/4"
16-45SE	1"	1"	111/16"	17/16"
20-45SE	11/4"	11/4"	113/16"	15/8"
24-45SE	11/2"	11/2"	131/32"	111/16"
32-45SE	2"	2"	215/32"	23/16"

**MPT • Male Pipe Tee**

Part No.	"A" Male Pipe Thread	"A" Male Pipe Leg
2MPT	1/8"	25/32"
4MPT	1/4"	13/32"
6MPT	3/8"	17/32"
8MPT	1/2"	115/32"
12MPT	3/4"	119/32"
16MPT	1"	131/32"
20MPT	11/4"	23/8"

**PT • Pipe Tees**

Part No.	"A" Female Pipe Thread	"A" Female Pipe Leg
2PT	1/8"	21/32"
4PT	1/4"	29/32"
6PT	3/8"	31/32"
8PT	1/2"	11/4"
12PT	3/4"	111/32"
16PT	1"	15/8"
20PT	11/4"	111/16"
24PT	11/2"	21/16"
32PT	2"	23/8"

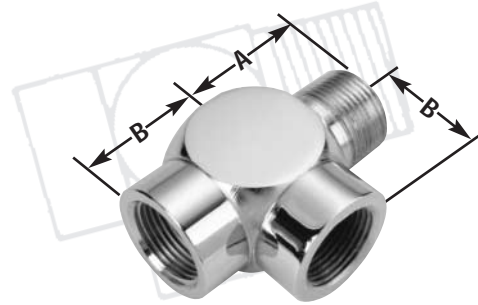
# ADAPTERS

## T A P E R E D P I P E T H R E A D

### ST • Street Tees

Part No.	Male Pipe Thread	Female Pipe Thread	"A" Male Pipe Leg	"B" Female Pipe Leg
2ST	1/8"	1/8"	13/16"	21/32"
4ST	1/4"	1/4"	13/16"	29/32"
6ST	3/8"	3/8"	15/16"	31/32"
8ST	1/2"	1/2"	1 1/2"	1 1/4"
12ST	3/4"	3/4"	1 21/32"	1 11/32"
16ST	1"	1"	2 1/16"	1 5/8"
20ST	1 1/4"	1 1/4"	2 1/2"	1 11/16"
24ST	1 1/2"	1 1/2"	2 3/4"	2 1/16"
32ST	2"	2"	3 1/8"	2 3/8"

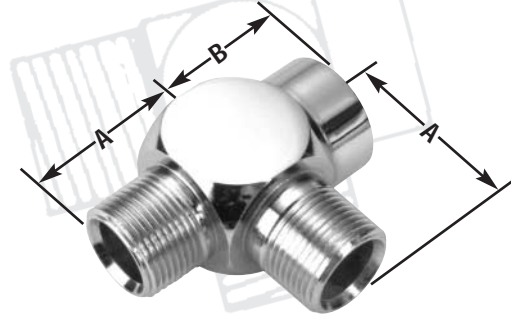
ST  
STREET TEES



### MST • Male Street Tee

Part No.	Male Pipe Thread	Female Pipe Thread	"A" Male Pipe Leg	"B" Female Pipe Leg
2MST	1/8"	1/8"	13/16"	21/32"
4MST	1/4"	1/4"	13/16"	29/32"
6MST	3/8"	3/8"	15/16"	31/32"
8MST	1/2"	1/2"	1 1/2"	1 1/4"
12MST	3/4"	3/4"	1 21/32"	1 11/32"
16MST	1"	1"	2 1/16"	1 5/8"
20MST	1 1/4"	1 1/4"	2 1/2"	1 11/16"

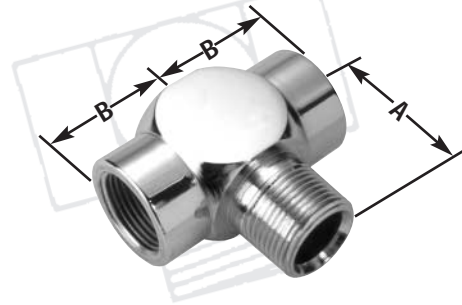
MST  
MALE STREET TEE



### FRT • Female Run Tee

Part No.	Male Pipe Thread	Female Pipe Thread	"A" Male Pipe Leg	"B" Female Pipe Leg
2FRT	1/8"	1/8"	13/16"	21/32"
4FRT	1/4"	1/4"	13/16"	29/32"
6FRT	3/8"	3/8"	15/16"	31/32"
8FRT	1/2"	1/2"	1 1/2"	1 1/4"
12FRT	3/4"	3/4"	1 21/32"	1 11/32"
16FRT	1"	1"	1 5/8"	1 5/8"
20FRT	1 1/4"	1 1/4"	2 1/2"	1 11/16"
24FRT	1 1/2"	1 1/2"	2 3/4"	2 1/16"

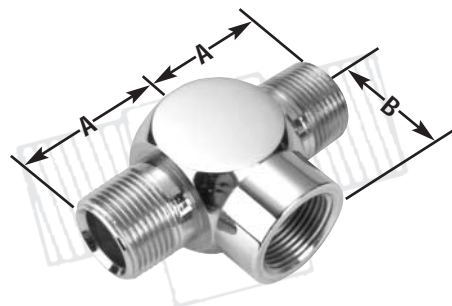
FRT  
FEMALE RUN TEE



### MRT Male Run Tee

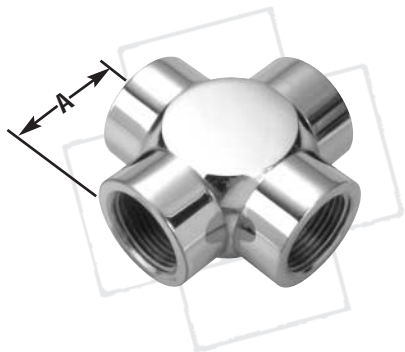
Part No.	Male Pipe Thread	Female Pipe Thread	"A" Male Pipe Leg	"B" Female Pipe Leg
2MRT	1/8"	1/8"	13/16"	21/32"
4MRT	1/4"	1/4"	13/16"	29/32"
6MRT	3/8"	3/8"	15/16"	31/32"
8MRT	1/2"	1/2"	1 1/2"	1 1/4"
12MRT	3/4"	3/4"	1 21/32"	1 11/32"
16MRT	1"	1"	2 1/16"	1 5/8"
20MRT	1 1/4"	1 1/4"	2 1/2"	1 11/16"

MRT  
MALE RUN TEE



## ADAPTERS

## PIPE FITTINGS

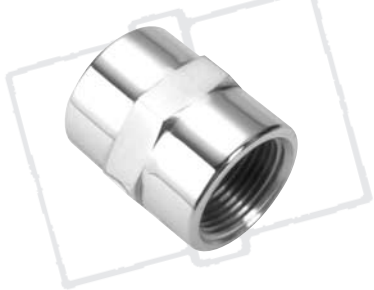
**FPC**  
**FEMALE PIPE CROSS**

**FPC • Female Pipe Cross**

Part No.	Female Pipe Thread	"A" Female Pipe Leg
2FPC	1/8"	21/32"
4FPC	1/4"	29/32"
6FPC	3/8"	31/32"
8FPC	1/2"	11/4"
12FPC	3/4"	111/32"
16FPC	1"	15/8"
20FPC	11/4"	111/16"
24FPC	11/2"	21/16"
32FPC	2"	23/8"

**PC**  
**PIPE COUPLINGS**

**PC • Pipe Couplings**

Part No.	Female Pipe Thread	Hex Size	Length
2PC	1/8"	5/8"	7/8"
4PC	1/4"	3/4"	1 1/8"
6PC	3/8"	15/16"	17/32"
8PC	1/2"	1 1/8"	1 5/8"
12PC	3/4"	1 3/8"	1 11/16"
16PC	1"	1 5/8"	1 15/16"
20PC	1 1/4"	2"	2"
24PC	1 1/2"	2 3/8"	2 1/16"
32PC	2"	3"	2 1/16"

**RPC**  
**REDUCING PIPE COUPLINGS**

**RPC • Reducing Pipe Couplings**

Part No.	"A" Female Pipe Thread	"B" Female Pipe Thread	Hex Size	Length
4-2RPC	1/4"	1/8"	3/4"	1"
6-4RPC	3/8"	1/4"	1"	1 3/16"
8-4RPC	1/2"	1/4"	1 1/8"	1 15/32"
8-6RPC	1/2"	3/8"	1 1/8"	1 15/32"
12-8RPC	3/4"	1/2"	1 3/8"	1 21/32"

**PU**  
**PIPE UNIONS**

**PU • Pipe Unions**

Part No.	Female Pipe Thread	Hex Size	Length
2PU	1/8"	1 1/8"	1 11/16"
4PU	1/4"	1 3/8"	1 27/32"
6PU	3/8"	1 5/8"	2"
8PU	1/2"	1 7/8"	2 3/16"
12PU	3/4"	2 1/8"	2 11/32"
16PU	1"	2 3/8"	2 1/2"
20PU	1 1/4"	2 7/8"	2 5/8"
24PU	1 1/2"	3 1/4" OCT.	2 15/16"
32PU	2"	4" OCT.	3 1/4"

# ADAPTERS

## PIPE FITTINGS

### HHP • Hollow Hex Plugs

Part No.	Male Pipe Thread	Internal Hex	Length
2HHP	1/8"	3/16"	3/8"
4HHP	1/4"	1/4"	7/16"
6HHP	3/8"	5/16"	1/2"
8HHP	1/2"	3/8"	9/16"
12HHP	3/4"	9/16"	5/8"
16HHP	1"	5/8"	3/4"
20HHP	1 1/4"	3/4"	13/16"
24HHP	1 1/2"	1"	53/64"
32HHP	2"	1"	15/16"

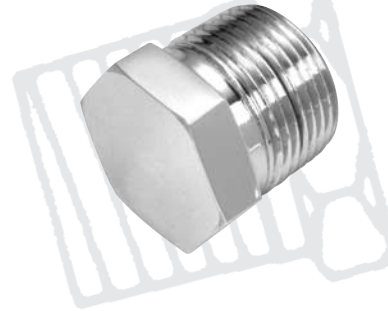
### HHP HOLLOW HEX PLUGS



### HP • Hex Plugs

Part No.	Male Pipe Thread	Hex Size	Length
2HP	1/8"	7/16"	9/16"
4HP	1/4"	5/8"	25/32"
6HP	3/8"	3/4"	25/32"
8HP	1/2"	7/8"	31/32"
12HP	3/4"	1 1/8"	1 1/16"
16HP	1"	1 3/8"	1 1/4"
20HP	1 1/4"	1 3/4"	1 5/16"
24HP	1 1/2"	2"	1 5/16"
32HP	2"	2 1/2"	1 3/4"

### HP HEX PLUGS



### SHP • Square Head Plugs

Part No.	Male Pipe Thread	Square Size	Length
2SHP	1/8"	9/32"	5/8"
4SHP	1/4"	3/8"	25/32"
6SHP	3/8"	7/16"	13/16"
8SHP	1/2"	9/16"	1 1/32"
12SHP	3/4"	5/8"	1 1/16"
16SHP	1"	13/16"	29/32"

### SHP SQUARE HEAD PLUGS

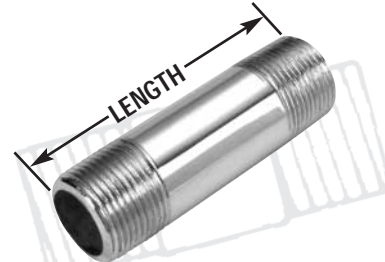


### SPN • Seamless Pipe Nipples

Part No.	Male Pipe Thread	"L" Close Nipple Length	Length* to 6" x 1/2" Increments
2SPN x L	1/8"	3/4"	1 1/2"-6"
4SPN x L	1/4"	7/8"	1 1/2"-6"
6SPN x L	3/8"	1"	1 1/2"-6"
8SPN x L	1/2"	1 1/8"	1 1/2"-6"
12SPN x L	3/4"	1 3/8"	2"-6"
16SPN x L	1"	1 1/2"	2"-6"
20SPN x L	1 1/4"	1 5/8"	2"-6"
24SPN x L	1 1/2"	1 3/4"	2 1/2"-6"
32SPN x L	2"	2"	2 1/2"-6"

Example of Part No.: 8SPN x 3"

### SPN SEAMLESS PIPE NIPPLES- EXTRA HEAVY PIPE



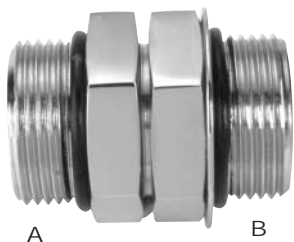
\*Longer lengths available upon request.



# ADAPTERS

## STRAIGHT THREADS

### AAU S.A.E. MALE X S.A.E. MALE UNION



#### AAU • S.A.E. Male x S.A.E. Male Union

Part Number	"A" Straight Thread Male	"B" Straight Thread Male	Overall Length
4-AAU	7/16"-20	7/16"-20	17/32"
6-AAU	9/16"-18	9/16"-18	113/32"
8-AAU	3/4"-16	3/4"-16	19/16"
10-AAU	7/8"-14	7/8"-14	113/16"
12-AAU	11/16"-12	11/16"-12	21/8"
16-AAU	15/16"-12	15/16"-12	21/8"
20-AAU	15/8"-12	15/8"-12	21/8"
24-AAU	17/8"-12	17/8"-12	227/64"
32-AAU	21/2"-12	21/2"-12	219/32"

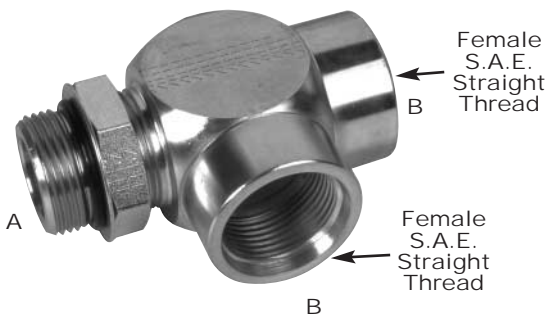
### ASE S.A.E. MALE X FEMALE PIPE ELBOW



#### ASE • S.A.E. Male x Female Pipe Elbow

Part Number	"A" Straight Thread Male	"B" Female Pipe N.P.T.
4-4ASE	7/16"-20	1/4" NPT
6-6ASE	9/16"-18	3/8" NPT
8-8ASE	3/4"-16	1/2" NPT
12-12ASE	11/16"-12	3/4" NPT
16-16ASE	15/16"-12	1" NPT
20-20ASE	15/8"-12	11/4" NPT
24-24ASE	17/8"-12	11/2" NPT
32-32ASE	21/2"-12	2" NPT

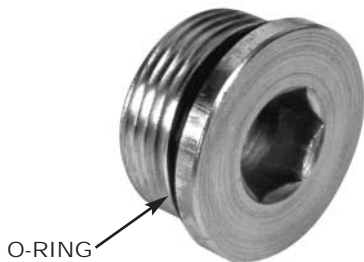
### AST S.A.E. MALE X S.A.E. FEMALE X S.A.E. FEMALE



#### AST • S.A.E. MALE x S.A.E. FEMALE x S.A.E. FEMALE

Part Number	"A" Straight Thread Male	"B" Straight Thread Female S.A.E.
4-4AST	7/16"-20	7/16"-20
6-6AST	9/16"-18	9/16"-18
8-8AST	3/4"-16	3/4"-16
12-12AST	11/16"-12	11/16"-12
16-16AST	15/16"-12	15/16"-12
20-20AST	15/8"-12	15/8"-12
24-24AST	17/8"-12	17/8"-12
32-32AST	21/2"-12	21/2"-12

### AHHP "O" RING HOLLOW HEX PLUG



#### AHHP • "O" Ring Hollow Hex Plug

Part Number	Male Straight Thread	Length
4-AHHP	7/16"-20	15/32"
6-AHHP	9/16"-18	1/2"
8-AHHP	3/4"-16	37/64"
10-AHHP	7/8"-14	37/64"
12-AHHP	11/16"-12	49/64"
16-AHHP	15/16"-12	49/64"
20-AHHP	15/8"-12	49/64"
24-AHHP	17/8"-12	49/64"
32-AHHP	21/2"-12	49/64"

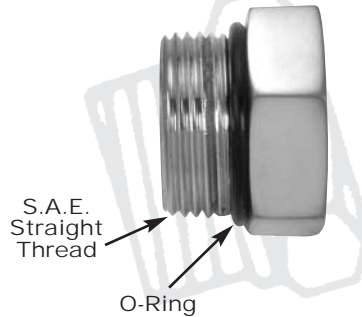
# ADAPTERS

## STRAIGHT THREADS

### STP • S.A.E. Straight Thread Plug

Part No.	Male Straight Thread	Length
4STP	7/16"-20	43/64"
5STP	1/2"-20	43/64"
6STP	9/16"-18	47/64"
8STP	3/4"-16	51/64"
10STP	7/8"-14	15/16"
12STP	1 1/16"-12	13/32"
14STP	1 3/16"-12	13/32"
16STP	1 5/16"-12	113/64"
20STP	1 5/8"-12	113/64"
24STP	1 7/8"-12	117/64"
32STP	2 1/2"-12	17/16"

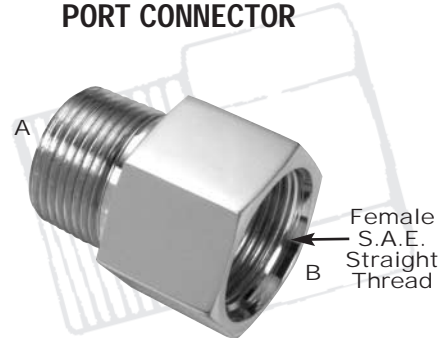
### STP S.A.E. STRAIGHT THREAD PLUG WITH "O-RING" TO PLUG STRAIGHT THREAD BOSS *(Not counter-bored)*



### PAC • Male Pipe Thread to S.A.E. Straight Thread Port Connector

Part No.	"A" Male Pipe Thread	"B" Female Straight Thread	Overall Length
2-4PAC	1/8"	7/16"-20	13/8"
2-5PAC	1/8"	1/2"-20	13/8"
4-6PAC	1/4"	9/16"-18	19/16"
6-8PAC	3/8"	3/4"-16	19/16"
8-10PAC	1/2"	7/8"-14	113/16"
12-12PAC	3/4"	1 1/16"-12	131/32"
12-14PAC	3/4"	1 3/16"-12	21/32"
16-16PAC	1"	1 5/16"-12	25/32"
20-20PAC	1 1/4"	1 5/8"-12	2 1/4"
24-24PAC	1 1/2"	1 7/8"-12	29/32"
32-32PAC	2"	2 1/2"-12	25/16"

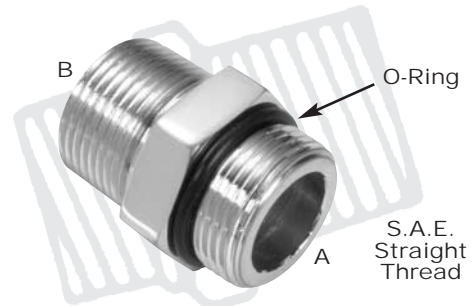
### PAC MALE PIPE THREAD TO S.A.E. STRAIGHT THREAD PORT CONNECTOR



### APN • Male Connector S.A.E. Straight Thread to Male Pipe Thread

Part No.	"A" Male Straight Thread	"B" Male Pipe Thread	Overall Length
4-2APN	7/16"-20	1/8"	1"
4-4APN	7/16"-20	1/4"	13/16"
5-2APN	1/2"-20	1/8"	1"
5-4APN	1/2"-20	1/4"	13/16"
6-4APN	9/16"-18	1/4"	1 1/4"
6-2APN	9/16"-18	1/8"	1 1/32"
6-6APN	9/16"-18	3/8"	1 1/4"
8-6APN	3/4"-16	3/8"	1 5/16"
8-8APN	3/4"-16	1/2"	1 17/32"
10-8APN	7/8"-14	1/2"	1 9/16"
12-12APN	1 1/16"-12	3/4"	1 3/4"
14-12APN	1 3/16"-12	3/4"	1 3/4"
16-16APN	1 5/16"-12	1"	1 15/16"
20-20APN	1 5/8"-12	1 1/4"	2"
24-24APN	1 7/8"-12	1 1/2"	2 1/16"
32-32APN	2 1/2"-12	2"	2 5/32"

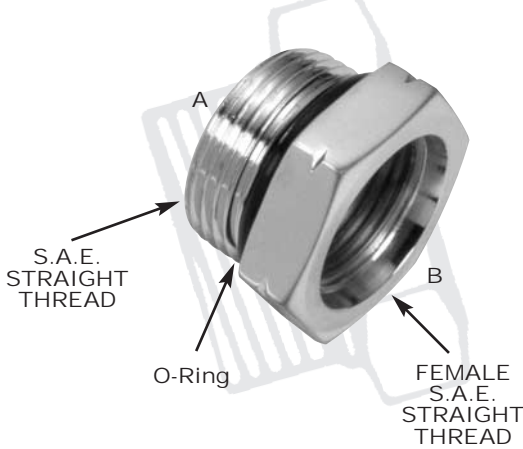
### APN MALE CONNECTOR S.A.E. STRAIGHT THREAD TO MALE PIPE THREAD



# ADAPTERS

## STRAIGHT THREADS

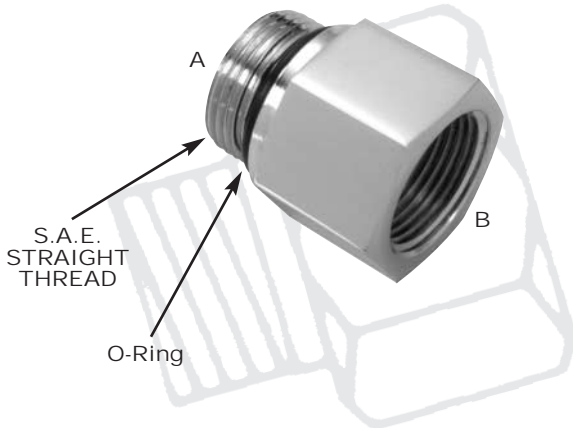
### ARC S.A.E. STRAIGHT THREAD TO S.A.E. STRAIGHT THREAD PORT BUSHING



### ARC • S.A.E. Straight Thread to S.A.E. Straight Thread Port Bushing

Part No.	"A" Straight Thread Male	"B" Straight Thread Female	Overall Length
4-6ARC	7/16"-20	9/16"-18	1 1/8"
6-4ARC	9/16"-18	7/16"-20	1 1/32"
6-8ARC	9/16"-18	3/4"-16	1 5/16"
8-4ARC	3/4"-16	7/16"-20	3/4"
8-6ARC	3/4"-16	9/16"-18	1 1/8"
10-8ARC	7/8"-14	3/4"-16	1 5/16"
10-12ARC	7/8"-14	1 1/16"-12	1 5/8"
12-8ARC	1 1/16"-12	3/4"-16	1"
12-10ARC	1 1/16"-12	7/8"-14	1 17/32"
14-6ARC	1 3/16"-12	9/16"-18	1"
14-10ARC	1 3/16"-12	7/8"-14	1"
14-12ARC	1 3/16"-12	1 1/16"-12	1 21/32"
16-8ARC	1 5/16"-12	3/4"-16	1"
16-12ARC	1 5/16"-12	1 1/16"-12	1"
16-14ARC	1 5/16"-12	1 3/16"-12	1 21/32"
16-20ARC	1 5/16"-12	1 5/8"-12	1 31/32"
20-10ARC	1 5/8"-12	7/8"-14	1"
20-12ARC	1 5/8"-12	1 1/16"-12	1"
20-16ARC	1 5/8"-12	1 5/16"-12	1"
20-24ARC	1 5/8"-12	1 7/8"-12	1 7/8"
24-16ARC	1 7/8"-12	1 5/16"-12	1"
24-20ARC	1 7/8"-12	1 5/8"-12	1 19/32"
32-20ARC	2 1/2"-12	1 5/8"-12	1"
32-24ARC	2 1/2"-12	1 7/8"-12	1"

### APC FEMALE CONNECTOR S.A.E. STRAIGHT THREAD TO FEMALE PIPE THREAD



### APC • Female Connector S.A.E. Straight Thread To Female Pipe Thread

Part No.	"A" Male Straight Thread	"B" Female Pipe Thread	Overall Length
4-2APC	7/16"-20	1/8"	1"
4-4APC	7/16"-20	1/4"	1 13/32"
5-2APC	1/2"-20	1/8"	1"
6-4APC	9/16"-18	1/4"	1 3/16"
8-6APC	3/4"-16	3/8"	1 5/16"
8-4APC	3/4"-16	1/4"	1 9/64"
8-8APC	3/4"-16	1/2"	1 17/32"
10-8APC	7/8"-14	1/2"	1 35/64"
10-4APC	7/8"-14	1/4"	1 3/16"
10-6APC	7/8"-14	3/8"	1 9/32"
10-12APC	7/8"-14	3/4"	1 21/32"
12-12APC	1 1/16"-12	3/4"	1 11/16"
12-6APC	1 1/16"-12	3/8"	1"
12-8APC	1 1/16"-12	1/2"	1 15/32"
14-12APC	1 3/16"-12	3/4"	1 5/8"
14-8APC	1 3/16"-12	1/2"	1"
16-16APC	1 5/16"-12	1"	1 29/32"
16-6APC	1 5/16"-12	3/8"	1"
16-8APC	1 5/16"-12	1/2"	1"
16-12APC	1 5/16"-12	3/4"	1 11/16"
20-20APC	1 5/8"-12	1 1/4"	2"
20-12APC	1 5/8"-12	3/4"	1"
20-16APC	1 5/8"-12	1"	1"
24-24APC	1 7/8"-12	1 1/2"	2 3/32"
24-20APC	1 7/8"-12	1 1/4"	1 29/32"
32-32APC	2 1/2"-12	2"	2 1/32"

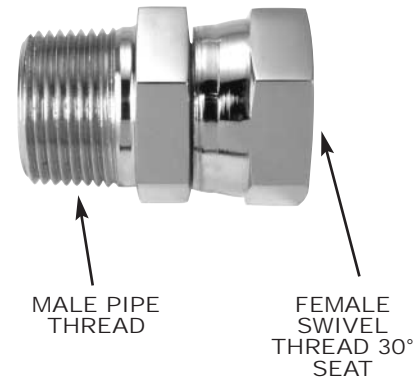
# ADAPTERS

## TAPERED PIPE THREAD

### M-UAD • Male Union Swivel Adapter

Part No.	Male Pipe Thread	Female Swivel Thread	Deduct From Assembly O.A.L.
2M-2UAD	1/8"	1/8"	27/32"
2M-4UAD	1/8"	1/4"	1"
4M-4UAD	1/4"	1/4"	17/32"
4M-6UAD	1/4"	3/8"	19/32"
6M-4UAD	3/8"	1/4"	19/32"
6M-6UAD	3/8"	3/8"	19/32"
6M-8UAD	3/8"	1/2"	111/32"
8M-6UAD	1/2"	3/8"	11/2"
8M-8UAD	1/2"	1/2"	19/16"
8M-12UAD	1/2"	3/4"	15/8"
12M-8UAD	3/4"	1/2"	19/16"
12M-12UAD	3/4"	3/4"	15/8"
12M-16UAD	3/4"	1"	123/32"
16M-12UAD	1"	3/4"	17/8"
16M-16UAD	1"	1"	129/32"
16M-20UAD	1"	1 1/4"	2"
20M-20UAD	1 1/4"	1 1/4"	21/32"
20M-24UAD	1 1/4"	1 1/2"	21/16"
24M-24UAD	1 1/2"	1 1/2"	23/32"
32M-32UAD	2"	2"	29/32"

### M-UAD MALE UNION SWIVEL ADAPTER MALE PIPE TO FEMALE NPSM SWIVEL



### F-UAD • Female Union Swivel Adapter

Part No.	Female Pipe Thread	Female Swivel Thread	Deduct From Assembly O.A.L.
2F-2UAD	1/8"	1/8"	3/4"
4F-4UAD	1/4"	1/4"	13/16"
6F-4UAD	3/8"	1/4"	17/32"
6F-6UAD	3/8"	3/8"	17/32"
8F-4UAD	1/2"	1/4"	15/16"
8F-6UAD	1/2"	3/8"	111/32"
8F-8UAD	1/2"	1/2"	113/32"
12F-12UAD	3/4"	3/4"	19/16"
16F-12UAD	1"	3/4"	125/32"
16F-16UAD	1"	1"	115/16"
20F-20UAD	1 1/4"	1 1/4"	115/16"
24F-24UAD	1 1/2"	1 1/2"	115/16"
32F-32UAD	2"	2"	23/8"

### F-UAD FEMALE UNION SWIVEL ADAPTER FEMALE PIPE TO FEMALE NPSM SWIVEL



### ME-UAD • Male Union Elbow Swivel Adapter

Part No.	Male Pipe Thread	Female Swivel Thread	Deduct From Assembly O.A.L.
2ME-2UAD	1/8"	1/8"	17/32"
2ME-4UAD	1/8"	1/4"	11/16"
4ME-4UAD	1/4"	1/4"	3/4"
4ME-6UAD	1/4"	3/8"	7/8"
6ME-4UAD	3/8"	1/4"	7/8"
6ME-6UAD	3/8"	3/8"	7/8"
6ME-8UAD	3/8"	1/2"	15/16"
8ME-4UAD	1/2"	1/4"	29/32"
8ME-6UAD	1/2"	3/8"	15/16"
8ME-8UAD	1/2"	1/2"	15/16"
8ME-12UAD	1/2"	3/4"	13/16"
12ME-6UAD	3/4"	3/8"	11/32"
12ME-8UAD	3/4"	1/2"	11/16"

### ME-UAD MALE UNION ELBOW SWIVEL ADAPTER MALE PIPE TO FEMALE NPSM SWIVEL



Continued on next page



# ADAPTERS

## TAPERED PIPE THREAD

Continued from previous page

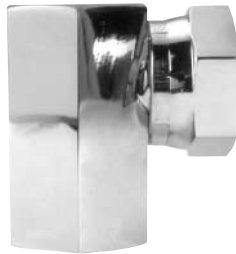
**ME-UAD**  
**MALE UNION ELBOW SWIVEL ADAPTER**  
**MALE PIPE TO FEMALE NPSM SWIVEL**



**ME-UAD • Male Union Elbow Swivel Adapter**

Part No.	Male Pipe Thread	Female Swivel Thread	Deduct From Assembly O.A.L.
12ME-12UAD	3/4"	3/4"	13/16"
16ME-8UAD	1"	1/2"	11/8"
16ME-12UAD	1"	3/4"	15/16"
16ME-16UAD	1"	1"	15/16"
16ME-20UAD	1"	1 1/4"	1 1/2"
20ME-20UAD	1 1/4"	1 1/4"	1 1/2"
24ME-20UAD	1 1/2"	1 1/4"	15/8"
24ME-24UAD	1 1/2"	1 1/2"	15/8"
32ME-32UAD	2"	2"	2"

**FE-UAD**  
**FEMALE UNION ELBOW SWIVEL ADAPTER**  
**FEMALE PIPE TO FEMALE NPSM SWIVEL**



**FE-UAD • Female Union Elbow Swivel Adapter**

Part No.	Female Pipe Thread	Female Swivel Thread	Deduct From Assembly O.A.L.
2FE-2UAD	1/8"	1/8"	17/32"
4FE-4UAD	1/4"	1/4"	3/4"
6FE-6UAD	3/8"	3/8"	7/8"
8FE-8UAD	1/2"	1/2"	15/16"
12FE-12UAD	3/4"	3/4"	13/16"
16FE-16UAD	1"	1"	15/16"
20FE-20UAD	1 1/4"	1 1/4"	1 1/2"
24FE-24UAD	1 1/2"	1 1/2"	15/8"

**SM-UAD**  
**S.A.E. STRAIGHT THREAD MALE UNION ADAPTER**  
**MALE S.A.E. THREAD TO FEMALE NPSM SWIVEL**



**SM-UAD • S.A.E. Straight Thread Male**

Part No.	S.A.E. Straight Thread	Female Swivel Thread	Deduct From Assembly O.A.L.
4SM-4UAD	7/16"-20	1/4"	1"
5SM-4UAD	1/2"-20	1/4"	1"
6SM-4UAD	9/16"-18	1/4"	1 1/32"
6SM-6UAD	9/16"-18	3/8"	13/32"
6SM-8UAD	9/16"-18	1/2"	1 1/4"
8SM-4UAD	3/4"-16	1/4"	13/32"
8SM-6UAD	3/4"-16	3/8"	1 1/8"
8SM-8UAD	3/4"-16	1/2"	1 1/4"
8SM-12UAD	3/4"-16	3/4"	13/8"
10SM-6UAD	7/8"-14	3/8"	1 1/8"
10SM-8UAD	7/8"-14	1/2"	15/16"
10SM-12UAD	7/8"-14	3/4"	13/8"
12SM-8UAD	1 1/6"-12	1/2"	1 13/32"
12SM-12UAD	1 1/16"-12	3/4"	1 15/32"
14SM-12UAD	1 3/16"-12	3/4"	1 1/2"
16SM-16UAD	1 3/16"-12	1"	1 1/2"
20SM-16UAD	1 5/8"-12	1"	1 17/32"
20SM-20UAD	1 5/8"-12	1 1/4"	1 17/32"
24SM-24UAD	1 7/8"-12	1 1/2"	1 11/16"

# ADAPTERS

## T A P E R E D P I P E T H R E A D

### SME-UAD • S.A.E. Straight Thread Male Union Elbow

Part No.	S.A.E. Straight Thread	Female Swivel Thread	Deduct From Assembly A.O.L.
4SME-4UAD	7/16"-20	1/4"	3/4"
6SME-4UAD	9/16"-18	1/4"	3/4"
6SME-6UAD	9/16"-18	3/8"	7/8"
6SME-8UAD	9/16"-18	1/2"	15/16"
8SME-6UAD	3/4"-16	3/8"	7/8"
8SME-8UAD	3/4"-16	1/2"	15/16"
8SME-12UAD	3/4"-16	3/4"	13/16"
10SME-6UAD	7/8"-14	3/8"	29/32"
10SME-8UAD	7/8"-14	1/2"	15/16"
10SME-12UAD	7/8"-14	3/4"	13/16"
12SME-8UAD	1 1/16"-12	1/2"	1"
12SME-12UAD	1 1/16"-12	3/4"	13/16"
14SME-12UAD	1 3/16"-12	3/4"	13/16"
16SME-16UAD	1 5/16"-12	1"	1 5/16"
16SME-12UAD	1 5/16"-12	3/4"	1 5/16"
20SME-20UAD	1 5/8"-12	1 1/4"	1 1/2"
20SME-12UAD	1 5/8"-12	3/4"	1 1/2"
24SME-24UAD	1 7/8"-12	1 1/2"	1 11/16"

**SME-UAD**  
**S.A.E. STRAIGHT THREAD MALE UNION ELBOW SWIVEL ADAPTER**  
**MALE S.A.E. THREAD TO FEMALE NPSM SWIVEL**



### MT-UAD • Male Union Tee Swivel Adapter

Part No.	Male Pipe Thread	Female Swivel Thread	Deduct From Assembly A.O.L.
2MT-2UAD	1/8"	1/8"	17/32"
4MT-4UAD	1/4"	1/4"	3/4"
6MT-6UAD	3/8"	3/8"	7/8"
8MT-8UAD	1/2"	1/2"	15/16"
12MT-12UAD	3/4"	3/4"	13/16"
16MT-16UAD	1"	1"	1 5/16"
20MT-20UAD	1 1/4"	1 1/4"	1 1/2"

**MT-UAD**  
**MALE UNION TEE SWIVEL ADAPTER**  
**MALE PIPE BRANCH, FEMALE NPSM SWIVELS ON RUN**



### MEX-UAD • Male 45° Union Elbow Swivel Adapter

Part No.	Male Pipe Thread	Female Swivel Thread	Ded't From Ass'y O.A. Length
2MEX-2UAD	1/8"	1/8"	7/16"
4MEX-4UAD	1/4"	1/4"	21/32"
6MEX-6UAD	3/8"	3/8"	11/16"
8MEX-8UAD	1/2"	1/2"	25/32"
8MEX-6UAD	1/2"	3/8"	25/32"
12MEX-12UAD	3/4"	3/4"	31/32"
12MEX-8UAD	3/4"	1/2"	7/8"
16MEX-16UAD	1"	1"	1 1/16"
16MEX-12UAD	1"	3/4"	1 1/32"
20MEX-20UAD	1 1/4"	1 1/4"	1 1/8"
24MEX-24UAD	1 1/2"	1 1/2"	1 7/32"

**MEX-UAD**  
**MALE 45° UNION ELBOW SWIVEL ADAPTER**  
**MALE PIPE TO FEMALE NPSM SWIVEL**



## ADAPTERS

## T A P E R E D P I P E T H R E A D

**FT-UAD**

**FEMALE UNION TEE SWIVEL ADAPTER  
FEMALE PIPE TO FEMALE NPSM SWIVEL**

**FT-UAD • Female Union Tee Swivel Adapter**

Part No.	Female Pipe Thread	Female Swivel Thread	Deduct From Assembly O.A.L.
4FT-4UAD	1/4"	1/4"	3/4"
6FT-6UAD	3/8"	3/8"	7/8"
8FT-8UAD	1/2"	1/2"	15/16"
12FT-12UAD	3/4"	3/4"	13/16"
16FT-16UAD	1"	1"	15/16"

**T-UAD**

**FEMALE UNION TEE SWIVEL ADAPTER  
FEMALE PIPE BRANCH,  
FEMALE NPSM SWIVELS ON RUN**

**T-UAD • Female Union Tee Swivel Adapter**

Part No.	Female Pipe Thread	Female Swivel Thread	Deduct From Assembly O.A.L.
2T-2UAD	1/8"	5/8"	17/32"
4T-4UAD	1/4"	7/8"	3/4"
6T-6UAD	3/8"	15/16"	7/8"
8T-8UAD	1/2"	1 1/16"	15/16"
12T-12UAD	3/4"	15/16"	13/16"
16T-16UAD	1"	1 15/32"	15/16"

**FEX-UAD**

**45° UNION ELBOW SWIVEL ADAPTER  
FEMALE PIPE TO FEMALE NPSM SWIVEL**

**Fex-UAD • Female 45° Union Elbow Swivel Adapter**

Part No.	Female Pipe Thread	Female Swivel Thread	Deduct From Assembly O.A.L.
4FEX-4UAD	1/4"	1/4"	21/32"
6FEX-6UAD	3/8"	3/8"	11/16"
8FEX-8UAD	1/2"	1/2"	25/32"
12FEX-12UAD	3/4"	3/4"	31/32"
16FEX-16UAD	1"	1"	11/16"

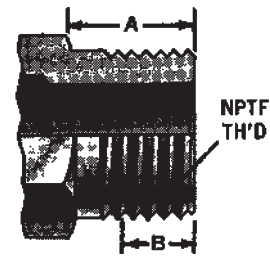
# AVAILABLE FITTING ENDS-TYPES

(SPECIFICATIONS & IDENTIFICATION)

## Male Pipe Thread End

Size	Thread NPTF	"A"	"B" Min. Full Thread
2	1/8"	25/64"	5/16"
4	1/4"	9/16"	15/32"
6	3/8"	9/16"	1/2"
8	1/2"	3/4"	21/32"
12	3/4"	3/4"	21/32"
16	1"	15/16"	25/32"
20	1 1/4"	31/32"	13/16"
24	1 1/2"	1"	13/16"
32	2"	1 1/32"	13/16"

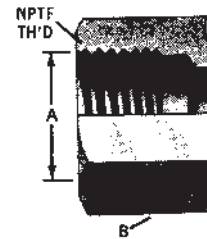
## MALE PIPE THREAD END (DRY SEAL)



## Female Pipe Thread End

Size	Thread NPTF	"A"	"B" Hex Size (Str. Connectors)	"B" Dia. (Elbows, Tees, Crosses)
2	1/8"	13/32"	9/16", 5/8"	5/8"
4	1/4"	35/64"	3/4"	7/8"
6	3/8"	43/64"	7/8"	1"
8	1/2"	27/32"	1 1/8"	1 1/8"
12	3/4"	13/64"	1 3/8"	1 3/8"
16	1"	15/16"	1 5/8"	1 3/4"
20	1 1/4"	121/32"	2"	2 1/8"
24	1 1/2"	129/32"	2 3/8"	2 3/8"
32	2"	2 3/8"	3"	3"

## FEMALE PIPE THREAD END (DRY SEAL)



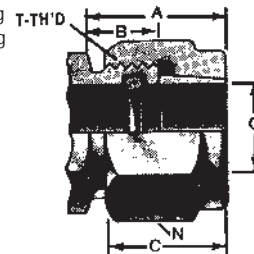
## Lenz "O-Ring Seal" End

Size	T Thread	"A"	"B"	"C"	"N" Hex	"O" Bore
2	3/8"-24	9/16"	9/32"	15/16"	1/2"	1/8"
4	1/2"-20	23/32"	13/32"	41/64"	5/8"	1/4"
5	9/16"-18	23/32"	13/32"	41/64"	11/16"	5/16"
6	5/8"-18	25/32"	15/32"	11/16"	3/4"	3/8"
8	7/8"-14	31/32"	17/32"	29/32"	1"	1/2"
10	1"-14	13/32"	19/32"	31/32"	1 1/8"	5/8"
12	1 1/8"-12	17/32"	11/16"	13/32"	1 1/4"	3/4"
14	1 1/4"-12	1 1/4"	11/16"	1 1/8"	1 3/8"	7/8"
16	1 1/2"-12	1 13/32"	3/4"	1 7/32"	1 5/8"	1"
20	1 3/4"-12	1 21/32"	7/8"	1 7/16"	2"	1 1/4"
24	2"-12	1 25/32"	7/8"	1 5/8"	2 1/4"	1 1/2"
32	2 5/8"-12	2 5/32"	1"	2 1/16"	3"	2"

## LENZ "O-RING SEAL" END

Tube End with "O-Ring" seal, and tapered split-ring sleeve and nut for gripping the tubing.

Includes nut, split ring, O-Ring and back-up washer.

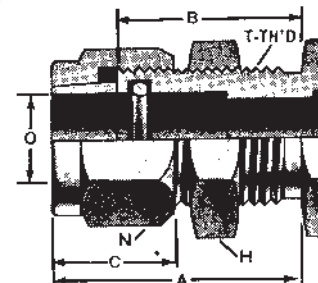


## Lenz "O-Ring Seal" Bulkhead End

Size	T Thread	"A"	"B"	"C"	"H" Hex	"N" Hex	"O" Bore
4	1/2"-20	1 15/32"	1 5/32"	41/64"	3/4"	5/8"	1/4"
5	9/16"-18	1 15/32"	1 5/32"	41/64"	13/16"	11/16"	5/16"
6	5/8"-18	1 9/16"	1 1/4"	11/16"	7/8"	3/4"	3/8"
8	7/8"-14	1 25/32"	1 11/32"	29/32"	1 1/8"	1"	1/2"
10	1"-14	1 31/32"	1 15/32"	31/32"	1 1/4"	1 1/8"	5/8"
12	1 1/8"-12	2 1/8"	1 19/32"	13/32"	1 3/8"	1 1/4"	3/4"
14	1 1/4"-12	2 5/32"	1 19/32"	1 1/8"	1 1/2"	1 3/8"	7/8"
16	1 1/2"-12	2 5/16"	1 21/32"	1 7/32"	1 3/4"	1 5/8"	1"
20	1 3/4"-12	2 9/16"	1 25/32"	1 7/16"	2"	2"	1 1/4"
24	2"-12	2 11/16"	1 25/32"	1 5/8"	2 1/4"	2 1/4"	1 1/2"
32	2 5/8"-12	3 3/32"	1 15/16"	2 1/16"	3"	2 7/8"	2"

## LENZ "O-RING SEAL" BULKHEAD END

Same features as Lenz "O-Ring Seal" except has provisions for passing through a Bulkhead and is held in Bulkhead by a lock nut. (1/2" Maximum Bulkhead Thickness.)



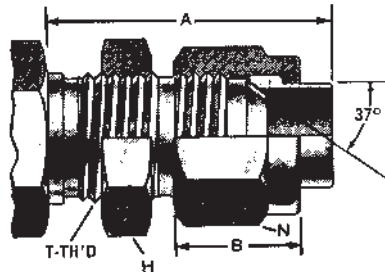


# AVAILABLE FITTING ENDS-TYPES

(SPECIFICATIONS & IDENTIFICATIONS)

## J.I.C. 37° FLARE MALE BULKHEAD END

Has same uses as J.I.C. 37° Flare Male except has provisions for passing through a Bulkhead and is held in Bulkhead with a Lock Nut. (3/8" Maximum Bulkhead Thickness.)



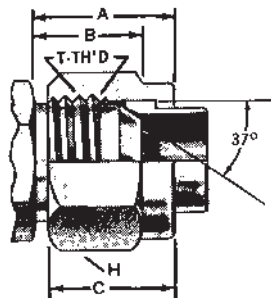
## J.I.C. 37° • Flare Male Bulkhead End

Size	Thread	"A" Str. Fttg.	"B"	"H" Hex	"N" Hex
4	7/16"-20	15/8"	5/8"	11/16"	9/16"
5	1/2"-20	15/8"	11/16"	3/4"	5/8"
6	9/16"-18	123/32"	23/32"	13/16"	11/16"
8	3/4"-16	2"	27/32"	1"	7/8"
10	7/8"-14	2 1/4"	31/32"	1 1/8"	1"
12	1 1/16"-12	2 3/8"	1 1/32"	1 3/8"	1 1/4"
14	1 3/16"-12	2 1/2"	1 3/32"	1 1/2"	1 3/8"
16	1 5/16"-12	2 9/16"	1 1/8"	1 5/8"	1 1/2"
20	1 5/8"-12	2 11/16"	1 7/32"	1 7/8"	2"
24	1 7/8"-12	2 15/16"	1 13/32"	2 1/8"	2 1/4"
32	2 1/2"-12	3 1/4"	1 3/4"	2 3/4"	2 7/8"

## J.I.C. 37° FLARE MALE END

May Be Used With 3205 Tube Nut, 3165 Tube Sleeve, 2205 Tube Nut, 2205-S Tube Nut or 2205-C Cap.

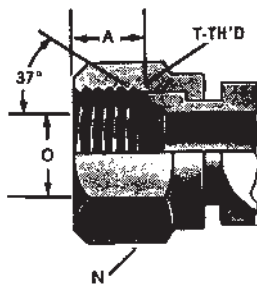
May also be joined directly to the Female J.I.C. 37° Swivel Fitting as an Adapter.



## J.I.C. 37° • Flare Male End

Size	Thread	"A"	"B"	"C"	"H" Hex
2	5/16"-24	3/4"	7/16"	17/32"	3/8"
3	3/8"-24	25/32"	15/32"	19/32"	7/16"
4	7/16"-20	15/16"	9/16"	5/8"	9/16"
5	1/2"-20	31/32"	9/16"	11/16"	5/8"
6	9/16"-18	11/32"	9/16"	23/32"	11/16"
8	3/4"-16	13/16"	21/32"	27/32"	7/8"
10	7/8"-14	1 13/32"	3/4"	31/32"	1"
12	1 1/16"-12	1 15/32"	7/8"	1 1/32"	1 1/4"
14	1 3/16"-12	1 5/8"	29/32"	1 3/32"	1 3/8"
16	1 5/16"-12	1 11/16"	29/32"	1 1/8"	1 1/2"
20	1 5/8"-12	1 13/16"	31/32"	1 7/32"	2"
24	1 7/8"-12	2 3/16"	1 3/32"	1 13/32"	2 1/4"
32	2 1/2"-12	2 15/32"	1 3/4"	1 11/32"	2 7/8"

## FEMALE J.I.C. 37° SWIVEL END



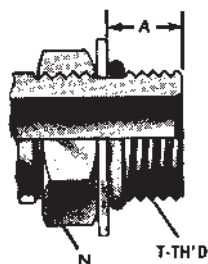
Used With Male J.I.C. 37° Fittings

## Female J.I.C. • 37° Swivel End

Size	Thread	"A"	"N" Hex	"O" Bore
4	7/16"-20	11/32"	9/16"	11/64"
5	1/2"-20	3/8"	5/8"	15/64"
6	9/16"-18	3/8"	11/16"	19/64"
8	3/4"-16	27/64"	7/8"	25/64"
10	7/8"-14	1/2"	1"	31/64"
12	1 1/16"-12	9/16"	1 1/4"	39/64"
14	1 3/16"-12	37/64"	1 3/8"	23/32"
16	1 5/16"-12	19/32"	1 1/2"	27/32"
20	1 5/8"-12	5/8"	2"	15/64"
24	1 7/8"-12	47/64"	2 1/4"	15/16"
32	2 1/2"-12	15/16"	2 7/8"	1 25/32"

## S.A.E. ADJUSTABLE STRAIGHT THREAD "O-RING" TYPE END (Elbows & Tees)

For same use as S.A.E. Straight Thread "O-Ring" Type but provides for 360° positioning for Tees and Elbows with Lock Nut. May also be used with AND 10050 Port.



## S.A.E. Adjustable Straight Thread "O-Ring" Type End

Size	Thread	"A"	"N" Hex
2	5/16"-24	19/64"	7/16"
4	7/16"-20	23/64"	9/16"
5	1/2"-20	23/64"	5/8"
6	9/16"-18	25/64"	11/16"
8	3/4"-16	7/16"	7/8"
10	7/8"-14	1/2"	1"
12	1 1/16"-12	19/32"	1 1/4"
14	1 3/16"-12	19/32"	1 3/8"
16	1 5/16"-12	19/32"	1 1/2"
20	1 5/8"-12	19/32"	1 7/8"
24	1 7/8"-12	19/32"	2 1/8"
32	2 1/2"-12	19/32"	2 3/4"

# AVAILABLE FITTING ENDS-TYPES

## TAPERED PIPE THREAD

### S.A.E. Adjustable Straight Thread "O-Ring" Type End

Size	T Thread	"A"	"H" Hex
2	5/16"-24	19/64"	7/16"
4	7/16"-20	23/64"	9/16"
5	1/2"-20	23/64"	5/8"
6	9/16"-18	25/64"	11/16"
8	3/4"-16	7/16"	7/8"
10	7/8"-14	1/2"	1"
12	1 1/16"-12	19/32"	1 1/4"
14	1 3/16"-12	19/32"	1 3/8"
16	1 5/16"-12	19/32"	1 1/2"
20	1 5/8"-12	19/32"	1 7/8"
24	1 7/8"-12	19/32"	2 1/8"
32	2 1/2"-12	19/32"	2 7/8"

### S.A.E. STRAIGHT THREAD "O-RING" TYPE END (Connectors)



For Use With S.A.E. Internal Thread O-Ring Boss

SPECIFICATIONS

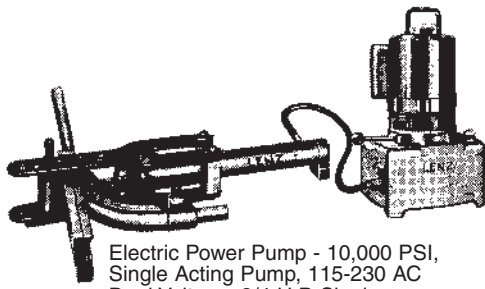
# HYDRAULIC ACCESSORIES

## (SPECIFICATIONS & IDENTIFICATIONS)

Part No.	Tube O.D.	Center Radius	Wt. LBS.
80-12	3/4"	37/16"	5 1/2
80-14	7/8"	37/16"	5 1/2
80-16	1"	45/16"	6 1/2
80-20	1 1/4"	5 5/8"	7 1/2
80-24	1 1/2"	7 3/16"	16
80-32	2"	8"	16 3/4

### NO. 1880 HYDRAULIC TUBE BENDERS Hand or Motor Operated

The Lenz tube bender is designed for either hand pump or electric or gasoline motor pump. It is extremely easy to handle and operate. Illustration below shows portable pump. . . may be had with gasoline or electric motor.

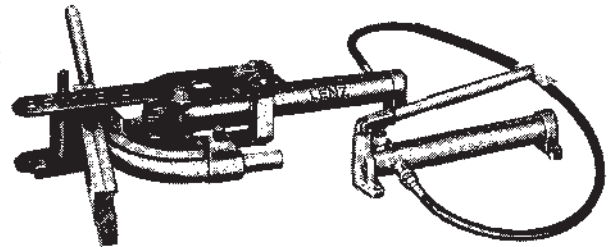


Electric Power Pump - 10,000 PSI, Single Acting Pump, 115-230 AC Dual Voltage, 3/4 H.P. Single Phase, 64 lbs.

Attachments for the Lenz 1880 Hydraulic Tube Bender are shown as Part Numbers in the table above and consist of Radius Shoe, Follow Bar and Saddle.

Illustration above shows hand operated pump.

"Warning Do Not Use Lenz Bender to Bend Aluminum EMT"



### NO. 412 LENZ TEFLON SEALING TAPE For Sealing Pipe Joints

- 1/2 inch x 520"
  - Lasting, Positive Seal
  - Crush-proof Spool
  - Easier to Handle
  - Will Not Unravel
  - -250° to + 500° F. Range
- Pure Teflon. Use on steam, water acid, alkali, chemical, fuel, corrosives, solvent, ketone, refrigerant gas, plastic, glass, stainless steel, aluminum, brass, and ceramic threads.



# ACCESSORIES/TOOLS

## TAPERED PIPE THREAD

### MODEL FT 573 / MODEL FT 673 Flaring Tools Integrated unit ... parts can't get lost



### Model FT 573 / Model FT 673

Model	For Flares O.D.
FT-573	1/2" thru 1"
FT-673	3/16" to 5/8"

This advanced design Lenz Flaring Tool gives absolutely smooth, uniform flares every time, with a minimum amount of effort and faster, too. The large feed screw handle turns easily. The precision ground hardened steel flaring cone, eccentrically mounted in precision bearings, produces a rolling action for even metal flow which provides uniform flare walls without galling. Feed releases automatically when flare is fully formed.

### NO. 1763 LENZ HAND TUBE BENDERS

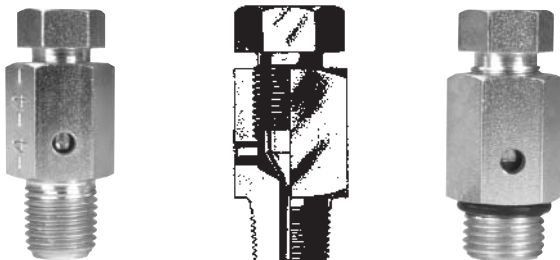


### No. 1763 • Lenz Hand Tube Benders

Part Number	Size O.D. of Tubing	Center Radius
1763-4	1/4"	9/16"
1763-5	5/16"	11/16"
1763-6	3/8"	15/16"
1763-8	1/2"	1 1/2"
1763-10	5/8"	3"
1763-12	3/4"	3 1/4"
1763-14	7/8"	3 3/4"

These fine quality Lenz Hand Tube Benders make quick and accurate bends that are smooth and without kinking. They work with steel, aluminum, copper, or stainless tubing. This is one of the most useful, time-saving tools you can own. Sizes 10, 12 & 14 are geared ratchet models.

### ABV LENZ AIR BLEEDER VALVES Tapered Pipe Thread S.A.E. Straight Thread



Tapered Pipe Thread

S.A.E. Straight Thread

Note: When Ordering Lenz Air Bleeder Valves in Stainless Steel Add -SS.  
Example: 4ABV-SS.

### ABV Lenz Air Bleeder Valves

Part No.	Male Pipe Thread	S.A.E. Straight thread	Body Hex	Overall Length
2ABV	1/8"	—	11/16"	1 11/16"
4ABV	1/4"	—	11/16"	1 29/32"
6ABV	3/8"	—	11/16"	1 29/32"
8ABV	1/2"	—	7/8"	1 7/8"
A-6ABV	—	9/16"-18	11/16"	1 11/16"

The Lenz Air Bleeder Valve is an exclusive design, extremely compact and consisting of only two metal parts. No packings are employed. The fact that it is necessary to eliminate all air from lines and equipment in order to maintain maximum operating efficiency makes this valve an important and vital part of the hydraulic system. It needs only to be installed at the highest point in the circuit where the air accumulates. It is especially needed when starting a hydraulic system. Easily installed.

# ACCESSORIES/TOOLS

(SPECIFICATIONS & IDENTIFICATION)

Now 380 rings in the 30 most popular sizes ranging from 006 to 327 (70 shore A hardness) is ready for use . . . instantly. Includes all popular Lenz O-Ring seal tube fitting sizes.

- 25% more rings than any other kit
  - Special BUNA-N compound for oil and fuel resistance - suitable for temperatures from -40 to +300 F.
  - Popular ring sizes fit valves, pumps, small cylinders, etc.
  - Color coded storage posts provide instant size identification
  - Built-in gauges automatically indicate size of rings for replacement
- Molded into the O-Ring Kit itself are accurately calibrated cross section slots. These color coded slots assure precision measurement of rings to be replaced.

INDISPENSABLE FOR SERVICING  
HYDRAULIC SYSTEMS & COMPONENTS.

**NEW! LENZ O-RING KIT (FOR MAINTENANCE)**  
Conforming dimensionally to AS-568A Universal Series as well as the AN 6227 sizes.



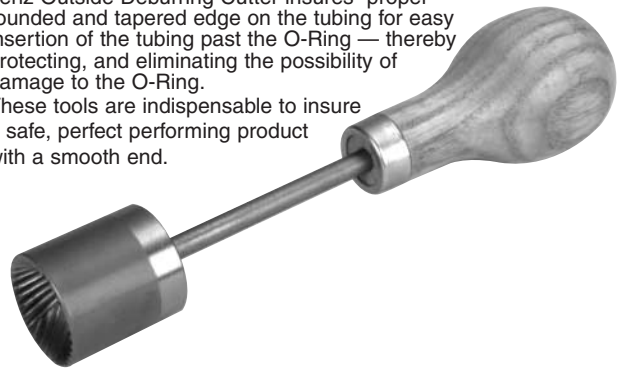
## ODC • Outside Deburring Cutters

Part No.	Tube O.D.
ODC-4	1/4"
ODC-5	5/16"
ODC-6	3/8"
ODC-8	1/2"
ODC-10	5/8"
ODC-12	3/4"
OCD-14	7/8"
ODC-16	1"
ODC-20	1 1/4"
ODC-24	1 1/2"
ODC-32	2"

## ODC OUTSIDE DEBURRING CUTTERS

Lenz Outside Deburring Cutter insures proper rounded and tapered edge on the tubing for easy insertion of the tubing past the O-Ring — thereby protecting, and eliminating the possibility of damage to the O-Ring.

These tools are indispensable to insure a safe, perfect performing product with a smooth end.



*Has detachable Handle to allow use of Cutter in drill chucks, etc.*

## No. 216 & No. 834

Part No.	For Tube O.D.
216	1/8" to 1" inclusive
834	1/2" to 2 1/8" inclusive

Rugged, adjustable cutting tool for producing clean, square ends on steel, stainless steel, and softer metal tubing. Ball handle feeds cutting wheel with even pressure as cutter is rotated around tube. Replacement cutter wheels available.

## NO. 216 & NO. 834 LENZ TUBE CUTTERS





# TUBING

(SPECIFICATIONS & IDENTIFICATION)

## LENZ HYDRAULIC STEEL TUBING

Dead Soft • Fully Annealed • Bright Finish

Superior grade tubing selected for excellence of bending and flaring. The formula given below is determined with the flow calculated to give nominal pressure drop through tubing having the diameter and wall thickness as indicated in the table to left. This flow is based on a velocity of 15 feet per second and fluids having a maximum viscosity of 315 S.S.U.

### Formula

$$GPM = \frac{\pi D^2 \times 15}{1.283} = 36.69 \times D^2$$

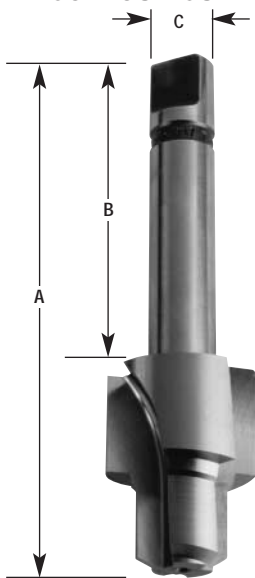
\*D = Inside Diameter of Tubing

Furnished in 12 Ft. Lengths-Longer Lengths On Request.  
 \*\*Safety Factor of 5 means that the tubing will burst at 5 times the working pressure indicated.

### Lenz Hydraulic Steel Tubing

Size No.	O.D.	I.D.	Wall Thickness	G.P.M. Flow	Working Pressure
4.035	1/4"	.180	.035	1.2	2800
4.049	1/4"	.152	.049	.85	3920
5.035	5/16"	.242	.035	2.15	2240
5.049	5/16"	.214	.049	1.68	3136
6.035	3/8"	.305	.035	3.45	1867
6.049	3/8"	.277	.049	2.82	2613
6.065	3/8"	.245	.065	2.2	3467
8.035	1/2"	.430	.035	6.79	1400
8.049	1/2"	.402	.049	5.92	1960
8.065	1/2"	.370	.065	5.03	2600
10.049	5/8"	.527	.049	10.2	1568
10.065	5/8"	.495	.065	9.0	2080
10.095	5/8"	.435	.095	6.94	3040
12.049	3/4"	.652	.049	15.6	1307
12.065	3/4"	.620	.065	14.1	1733
12.095	3/4"	.560	.095	11.5	2533
12.109	3/4"	.532	.109	10.4	2907
14.049	7/8"	.777	.049	22.1	1120
14.065	7/8"	.745	.065	20.4	1486
14.095	7/8"	.685	.095	17.2	2171
16.065	1"	.870	.065	27.8	1300
16.095	1"	.810	.095	24.1	1900
16.120	1"	.760	.120	21.2	2400
20.065	1 1/4"	1.120	.065	46.0	1040
20.095	1 1/4"	1.060	.095	41.2	1520
20.120	1 1/4"	1.010	.120	37.4	1920
24.095	1 1/2"	1.310	.095	63.0	1267
24.120	1 1/2"	1.260	.120	58.1	1600

### PCC LENZ S.A.E. PORT CONTOUR CUTTERS



### PCT LENZ PRECISION S.A.E. PORT THREAD TAPS



These tools have three flutes which form the standard internal O-Ring Boss for straight thread tube fittings. Standard in high-speed steel. Carbide tipped available on special order. Four flute cutters available on special order.

### PCC-LENZ S.A.E. Port Contour Cutter

Part No.	Tube O.D.	Thread Size	"A" Overall Length	"B" Shank Length	"C" Shank Dia.
PCC-2	1/8"	5/16"-24	3 <sup>23</sup> /32"	2 <sup>11</sup> /64"	.500
PCC-4	1/4"	7/16"-20	3 <sup>25</sup> /32"	2 <sup>5</sup> /32"	.500
PCC-5	5/16"	1/2"-20	3 <sup>27</sup> /32"	2 <sup>7</sup> /32"	.500
PCC-6	3/8"	9/16"-18	3 <sup>29</sup> /32"	2 <sup>5</sup> /64"	.500
PCC-8	1/2"	3/4"-16	3 <sup>31</sup> /32"	2 <sup>1</sup> /16"	.500
PCC-10	5/8"	7/8"-14	3 <sup>31</sup> /32"	1 <sup>53</sup> /64"	.750
PCC-12	3/4"	1 1/16"-12	4 1/8"	1 <sup>55</sup> /64"	.750
PCC-14	7/8"	1 3/16"-12	4 1/8"	1 <sup>27</sup> /32"	.750
PCC-16	1"	1 5/16"-12	4 1/8"	1 <sup>27</sup> /32"	.750
PCC-20	1 1/4"	1 5/8"-12	4 1/8"	1 <sup>53</sup> /64"	1.000
PCC-24	1 1/2"	1 7/8"-12	4 1/8"	1 <sup>13</sup> /16"	1.000
PCC-32	2"	2 1/2"-12	4 1/4"	1 <sup>29</sup> /32"	1.000

### PCT • LENZ Precision S.A.E. Port Thread Taps

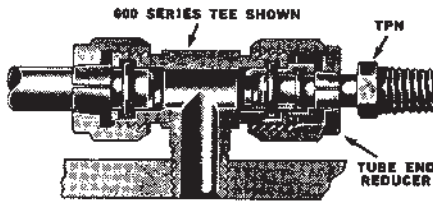
Part Number	Tube O.D.	Thread Size
PCT-2	1/8"	5/16"-24
PCT-4	1/4"	7/16"-20
PCT-5	5/16"	1/2"-20
PCT-6	3/8"	9/16"-18
PCT-8	1/2"	3/4"-16
PCT-10	5/8"	7/8"-14
PCT-12	3/4"	1 1/16"-12
PCT-14	7/8"	1 3/16"-12
PCT-16	1"	1 5/16"-12
PCT-20	1 1/4"	1 5/8"-12
PCT-24	1 1/2"	1 7/8"-12
PCT-32	2"	2 1/2"-12

# SPECIAL USES

FOR "O-RING SEAL FITTINGS

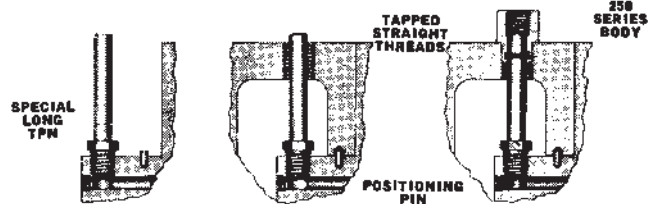
SPECIAL USES

## TPN USED TO CONVERT STANDARD TEE TO SPECIAL TEE



TPN's, TFN's or TAN's may be used with a tee or cross to change an outlet from tube to male, eliminating a more expensive special fitting. By using tube end reducers, smaller TPN's or TAN's may be fitted. See pages 14 and 15 for reducers. TPN's, TFN's & TAN's.

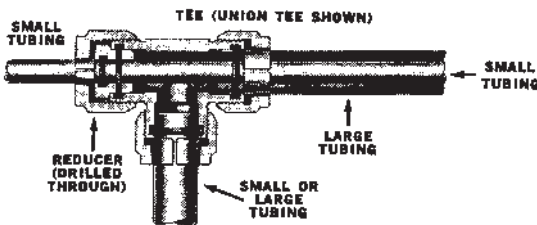
## FOR EASE OF ASSEMBLY & DISASSEMBLY



Step 1-TPN is tightened into position. Step 2-St. Th'd casting is dropped into position. Step 3-Female connector body is screwed into St. Th'd, at the same time sealing on the stem of the TPN.

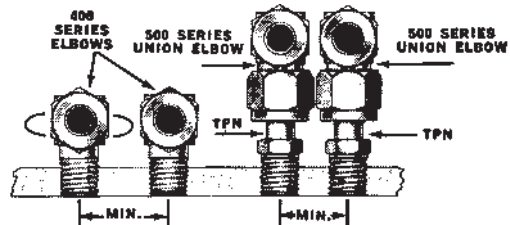
The three steps show the unusual use of a special long TPN and female connector (250 series). Lenz manufactures in lengths up to 8 inches over standard length. See page 15 for TPN information.

## CONCENTRIC LINE FOR TWO FLUIDS

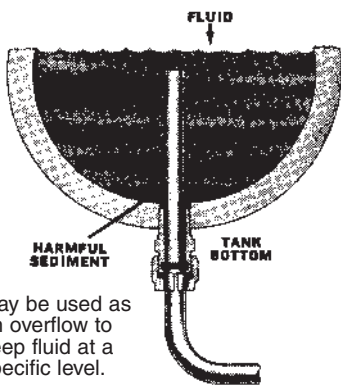


Tees having a reducer on one end can serve as ends of a cooling jacket fabricated from hydraulic tubing . . . can also be used for concentric line for two fluids. The only modification needed is the removal of the tube stop in the reducer with a drill. See page 14 for Reducers.

## OUTLETS TOO CLOSE TO PERMIT SCREWING ON OF MALE ELBOWS



Where outlets are too close to permit screwing male elbows (400 series) into ports, TPN's and union elbows (500 series) may permit installation. TAN's would similarly replace A400 series straight thread male elbows, see page 15.



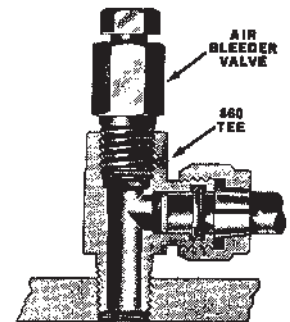
May be used as an overflow to keep fluid at a specific level.

## REMOVING FLUID FROM A POINT ABOVE TANK BOTTOM

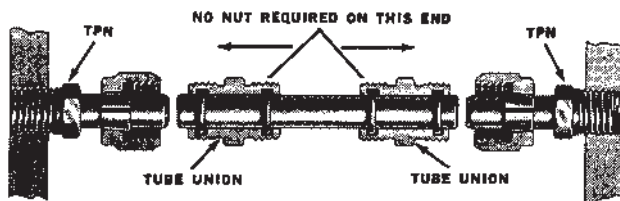
Many of the male connectors (100 series) and female connectors (250 series) allow tubing to be inserted through the fitting. Drawing shows how fluid may be removed from a point above tank bottom, using a 100 series male connector. See pages 2 & 3 for connectors.

## TYPICAL INSTALLATION OF AN ABV BLEEDER VALVE AT THE HIGH POINT OF A HYDRAULIC SYSTEM

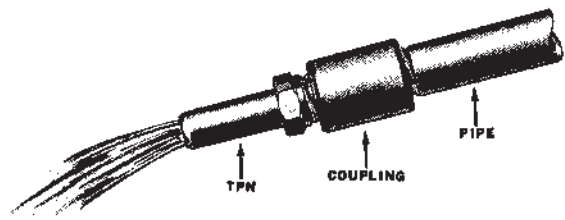
With the use of a 860 series tee the bleeder valve can quickly and easily be installed at the highest point where air accumulates in hydraulic circuits. See page 33 for Bleeder Valves and page 8 for 860 series Tees.



## TPN'S USED WHERE A STRAIGHT LINE MUST BE REMOVED OCCASIONALLY WITHOUT DISTURBING PIPE THREADS



## TPN USED AS A NOZZLE-SUCH AS DIRECTING COOLANT ONTO THE WORK IN AN AUTOMATIC SCREW MACHINE



# LENZ

## GLYCERIN-FILLED PRESSURE GAUGES

**LENZ PRESSURE GAUGES** are designed for pulsation..vibration.. shock..weather and corrosive environments. These Lenz pressure gauges are offered in the following dial sizes: 1 1/2", 2", 2 1/2" & 4". **Brass case, Stainless Steel case, all Stainless Steel, Abs plastic case or Black Steel case** with flange mounting or panel mountings available from stock.

Lenz also manufactures hydraulic tank accessories, filters, strainers, tube fittings, hydraulic adapters and hose fittings.



**“Another quality product,  
Only from Lenz”**

For more information on the new  
LENZ PRESSURE GAUGES,  
ask for Catalog PG-111  
write, phone or fax:

**LENZ, Inc.**

P.O. BOX 1044

Dayton, Ohio

45401-1044

3301 Klepinger Road

Dayton, Ohio 45406

Phone: (937) 277-9364

Fax: (937) 277-6516

Internet: <http://www.lenzinc.com>



# LENZ

## HYDRAULIC TANK ACCESSORIES

**LENZ MANUFACTURES** a complete line of hydraulic tank accessories, that include a wide range of filler breathers, breather filters, tank covers, reservoir flanges, sight level gauges and fuel necks, available in many sizes and styles

Lenz also manufactures a complete line of hydraulic filters, strainers, pressure gauges, tube fittings, hydraulic adapters and hose fittings.



For more information on the LENZ HYDRAULIC TANK ACCESSORIES ask for Catalog No. TA-81, write, phone, or fax:

**LENZ, Inc.**  
 P.O. BOX 1044  
 Dayton, Ohio 45401-1044  
 3301 Klepinger Rd  
 Dayton, Ohio 45406  
 Phone: (937) 277-9364  
 FAX: (937) 277-6516  
 Internet: <http://www.lenzinc.com>

**“Another quality product,  
 Only from Lenz”**



# LENZ

## HOSE FITTINGS & ADAPTERS

**LENZ MANUFACTURES A COMPLETE LINE OF 100R5 HOSE FITTINGS;** 2-wire braid hose fittings for high pressure, along with several other special-industry hose fittings, making Lenz a full line hose & fitting manufacturer.

Lenz fittings meet or exceed J.I.C./S.A.E. standards, and are interchangeable with other standard hose fittings.

Lenz also manufactures every conceivable hydraulic adapter, the Lenz "O" Ring Seal Tube Fitting, Pressure Gauges, Hydraulic Reservoir Accessories, Strainers and Filters for the fluid power industry.



**“Another quality product,  
Only from Lenz”**

For more information on  
LENZ HOSE FITTINGS & ADAPTERS  
ask for Catalog No. HP-401,  
or write, phone, or fax:

**LENZ, Inc.**

P.O. BOX 1044

Dayton, Ohio 45401-1044

3301 Klepinger Rd

Dayton, Ohio 45406

Phone: (937) 277-9364

FAX: (937) 277-6516

Internet: <http://www.lenzinc.com>



# ADAPTERS & HOSE FITTINGS

ADAPTERS

**LENZ MANUFACTURES** a complete line of Hydraulic Adapters and Hose Fittings that meet or exceed J.I.C./S.A.E. standards.

Lenz also manufactures the Lenz "O" Ring Seal Tube Fitting, Pressure Gauges, Strainers, Filters and Hydraulic Reservoir Accessories for the fluid power industry.



**“Another quality product,  
Only from Lenz”**

For more information on the LENZ ADAPTERS & HOSE FITTINGS ask for Catalog No. AD-90, write, phone, or fax:

**LENZ, Inc.**  
P.O. BOX 1044  
Dayton, Ohio 45401-1044  
3301 Klepinger Rd  
Dayton, Ohio 45406  
Phone: (937) 277-9364  
FAX: (937) 277-6516  
Internet: <http://www.lenzinc.com>







# FILTERS & STRAINERS

**LENZ MANUFACTURES** a complete filter and strainer line that includes a wide range of pressure, in-tank and spin on filters, sump strainers, tank mounted strainers, diffusers, for pressure, suction or return line applications. These filters and strainers are offered in sizes 1/2", 3/4", 1", 1 1/4", 1 1/2", 2", & 3".

Lenz is a full line manufacturer of hydraulic tank accessories, pressure gauges, strainers, filters, tube fittings, hydraulic adapters & hydraulic hose fittings for the fluid power industry.



**“Another quality product,  
Only from LENZ”**

For more information on the **LENZ HYDRAULIC FILTERS AND STRAINERS**, Request Catalog SF-11A write, phone, or fax:

**LENZ**  
P.O. BOX 1044  
Dayton, Ohio 45401-1044  
3301 Klepinger Road  
Dayton, Ohio 45406  
Phone: (937) 277-9364  
FAX: (937) 277-6516  
Internet: <http://www.lenzinc.com>



# NOTES

NOTES



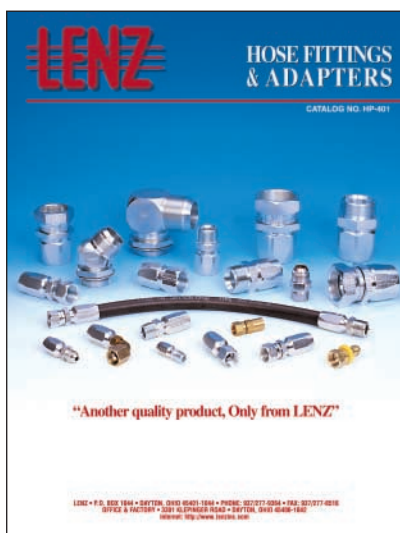
# Request these other **LENZ** Catalogs



**CATALOG PG-111**  
16 Pgs. Detailed information on Lenz Pressure Gauges.



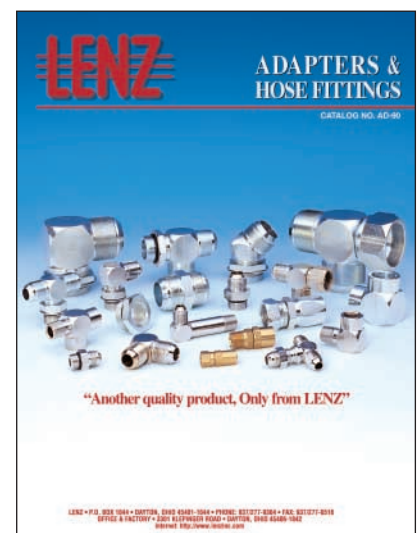
**CATALOG TA-81**  
36 Pgs. Highly informative on Lenz Hydraulic Tank Reservoir Accessories.



**CATALOG HP-401**  
56 Page. High & Medium Pressure Hose Fittings & Assemblies. Adapters, Flanges, Quick Disconnects & Accessories.



**CATALOG SF-11A**  
24 Pgs. Detailed information on Lenz Hydraulic Strainers & Filters.



**CATALOG AD-90**  
40 Pgs. Adapters, Pipe Fittings, Adapter Unions, J.I.C.-S.A.E. Tube Fittings, offered in Steel & Stainless Steel.